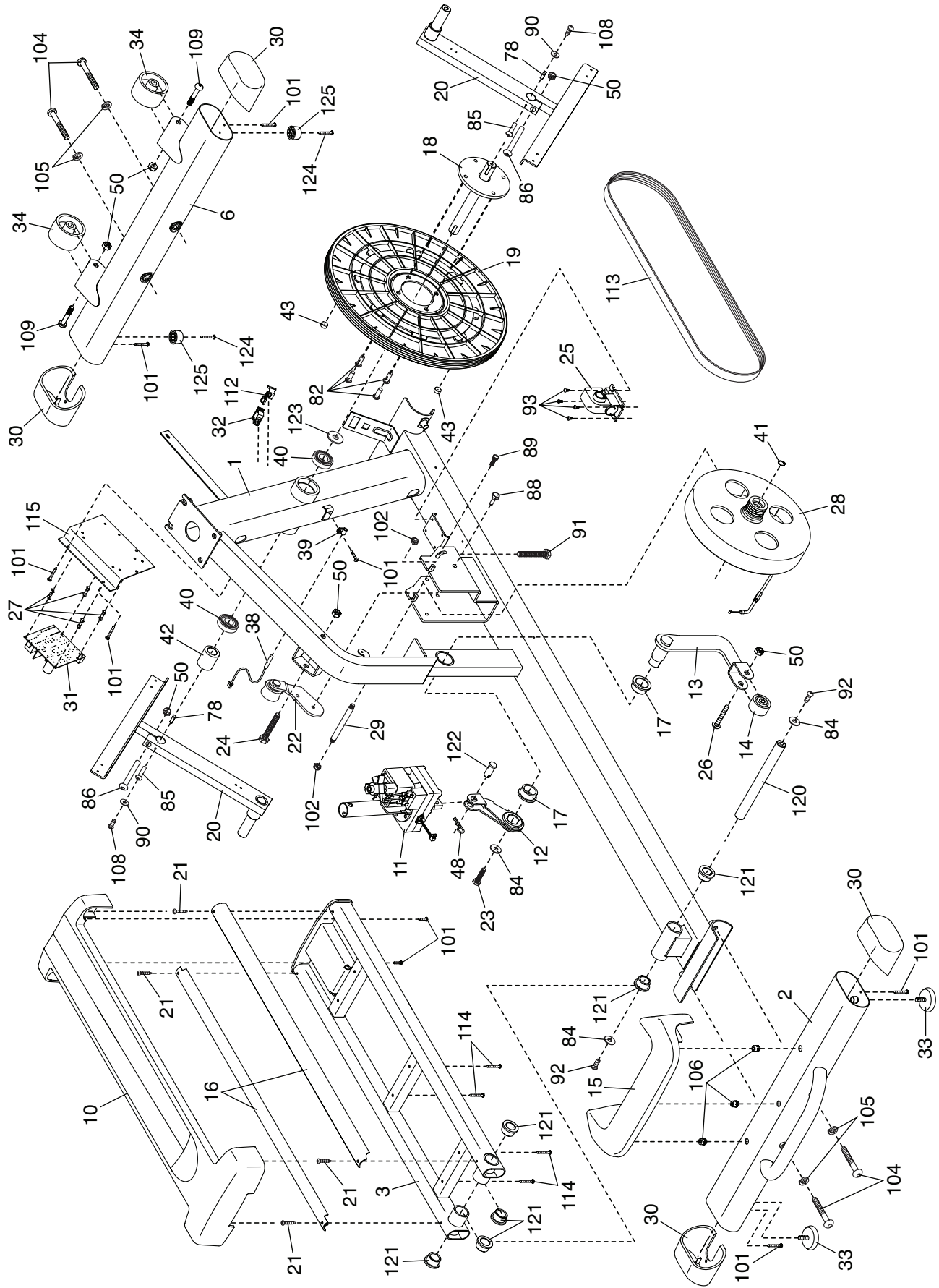


# EXPLODED DRAWING A

Model No. 23952.5 R0116A



# EXPLODED DRAWING B

Model No. 23952.5 R0116A

