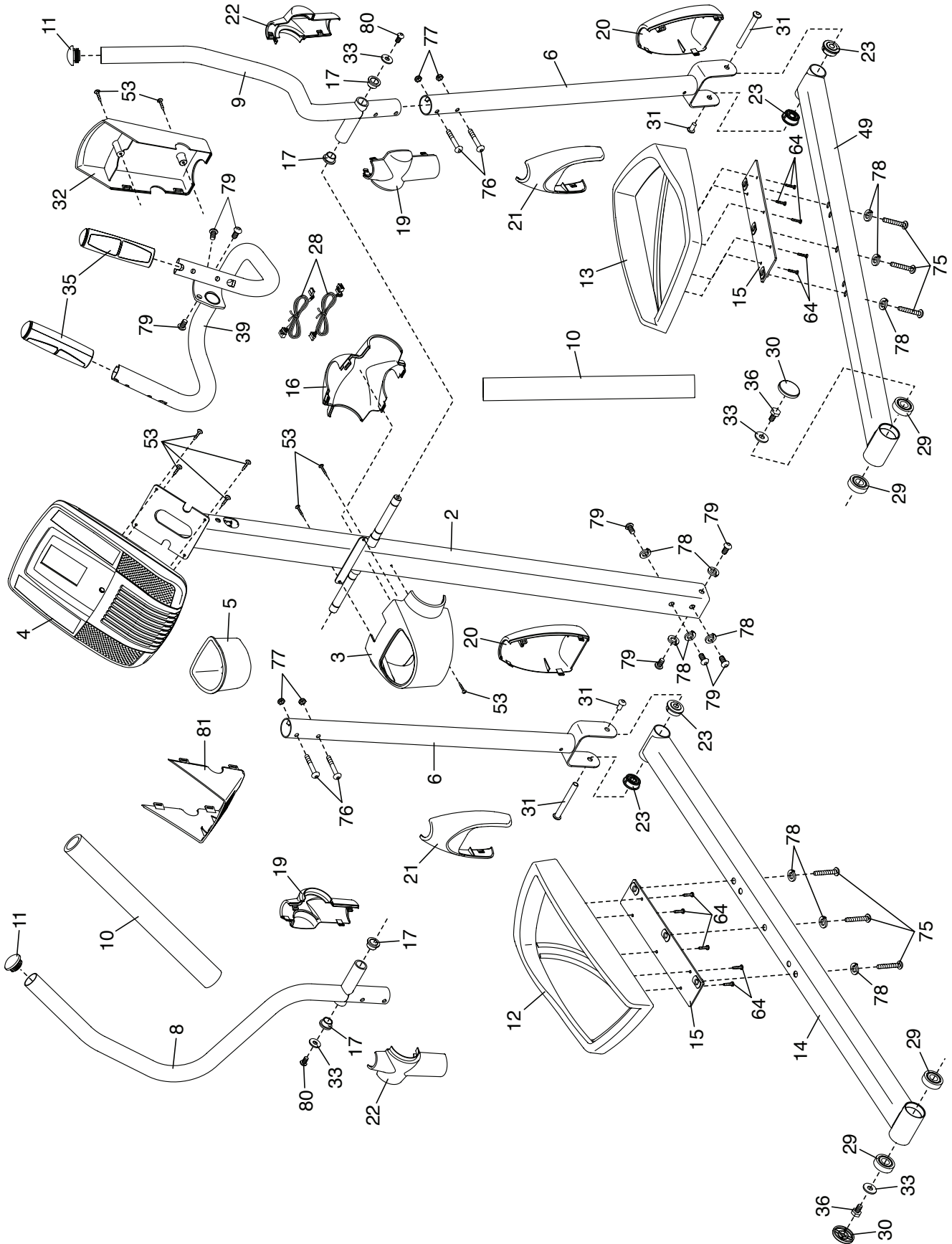


EXPLODED DRAWING A

Model No. 831.23953.3 R1112B



EXPLODED DRAWING B

Model No. 831.23953.3 R1112B

