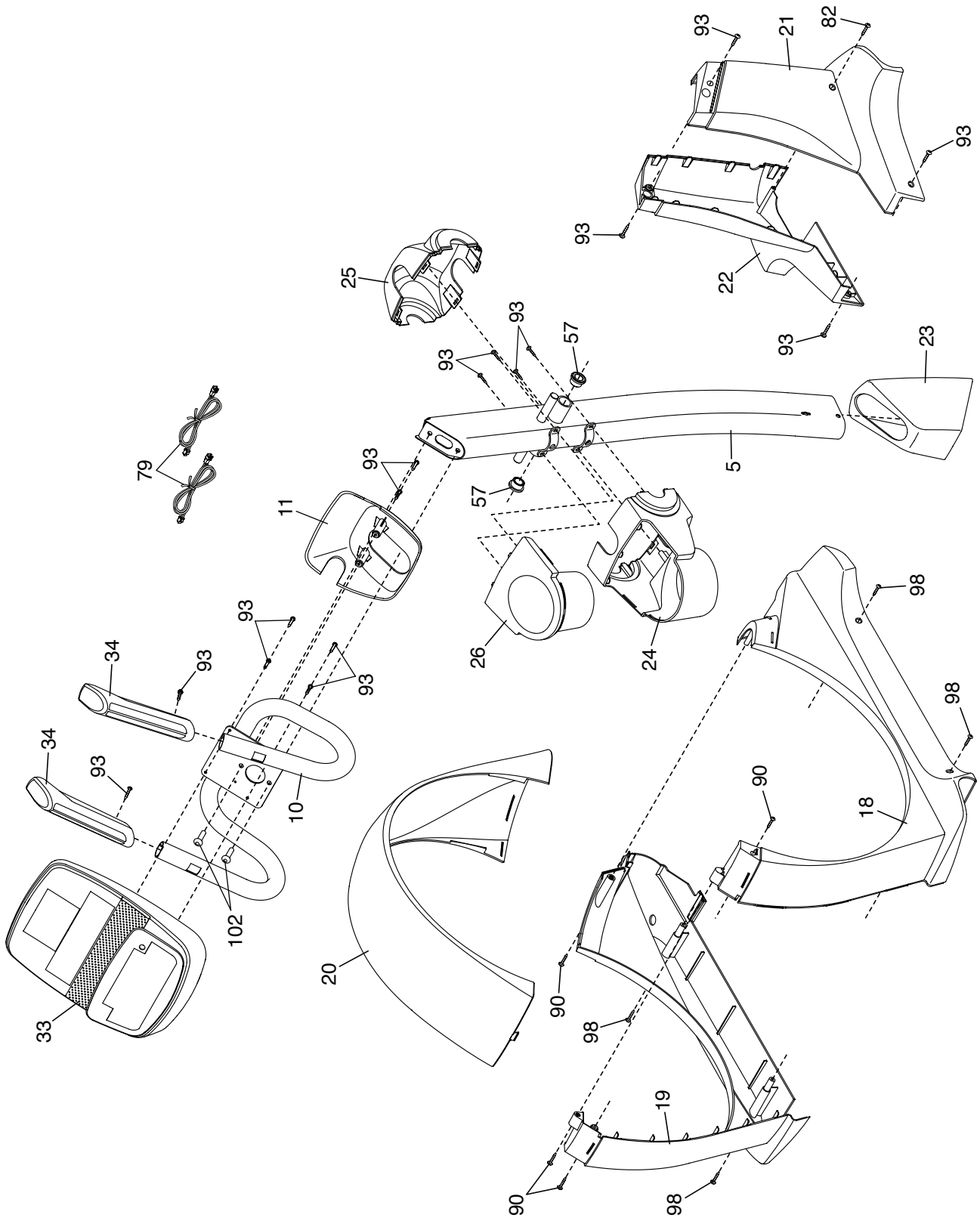


EXPLODED DRAWING A

Model No. NTEL06011.5 R0612A



EXPLODED DRAWING B

Model No. NTEL06011.5 R0612A

