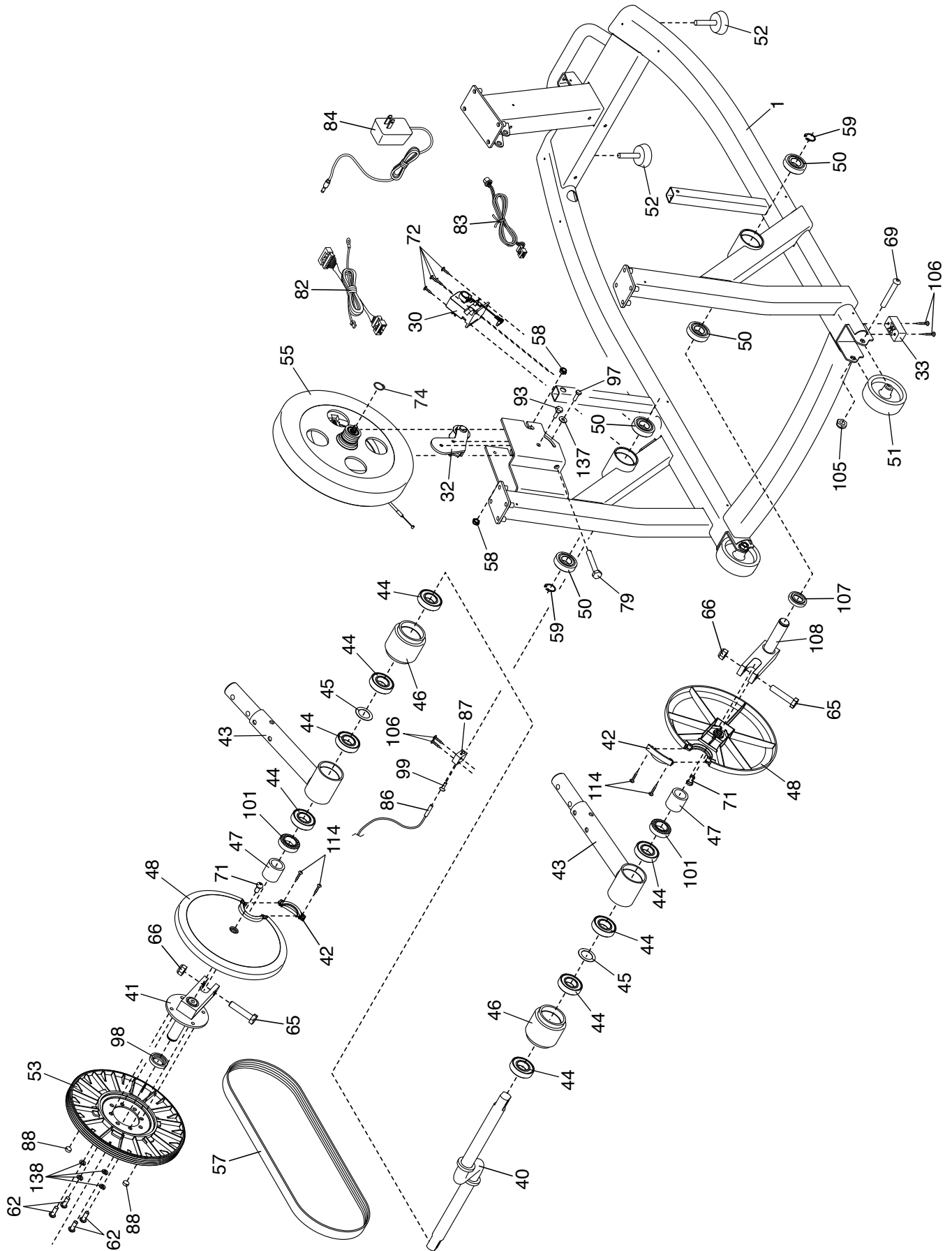


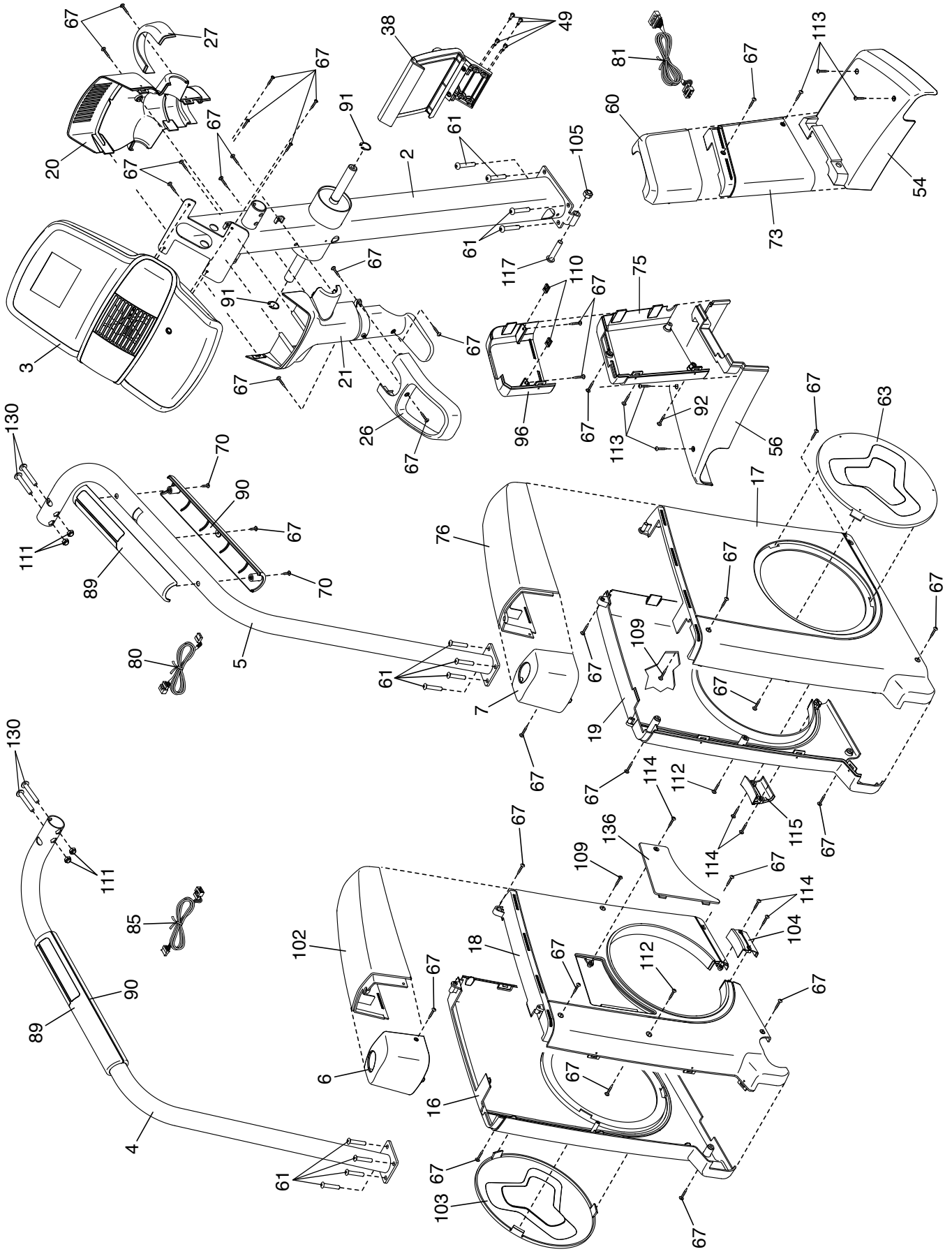
# EXPLODED DRAWING A

Model No. 24032.0 R0616A



# EXPLODED DRAWING B

Model No. 24032.0 R0616A



# EXPLODED DRAWING C

Model No. 24032.0 R0616A

