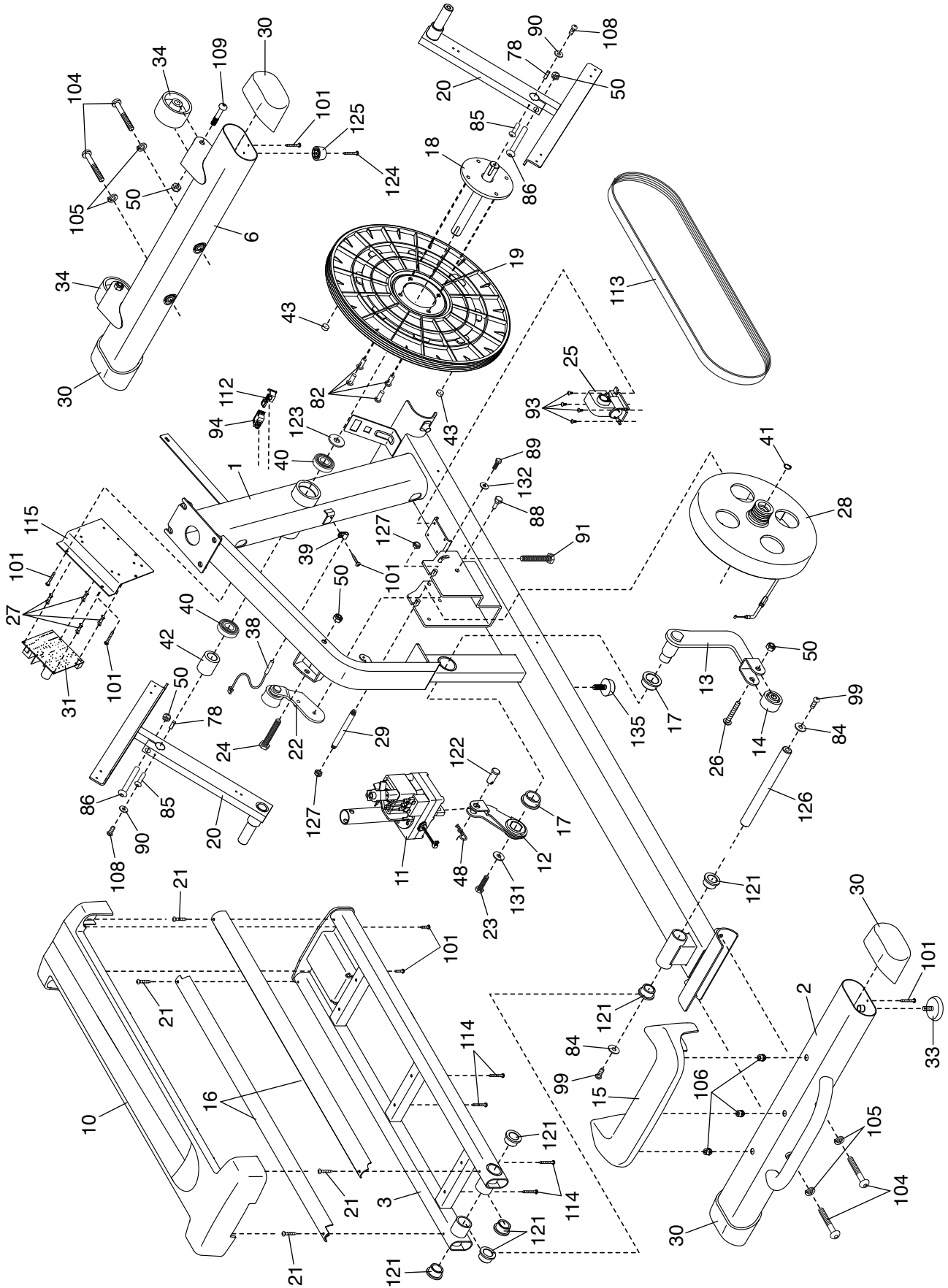


# EXPLODED DRAWING A

Model No. 24035.5 R0218A





# EXPLODED DRAWING C

Model No. 24035.5 R0218A

