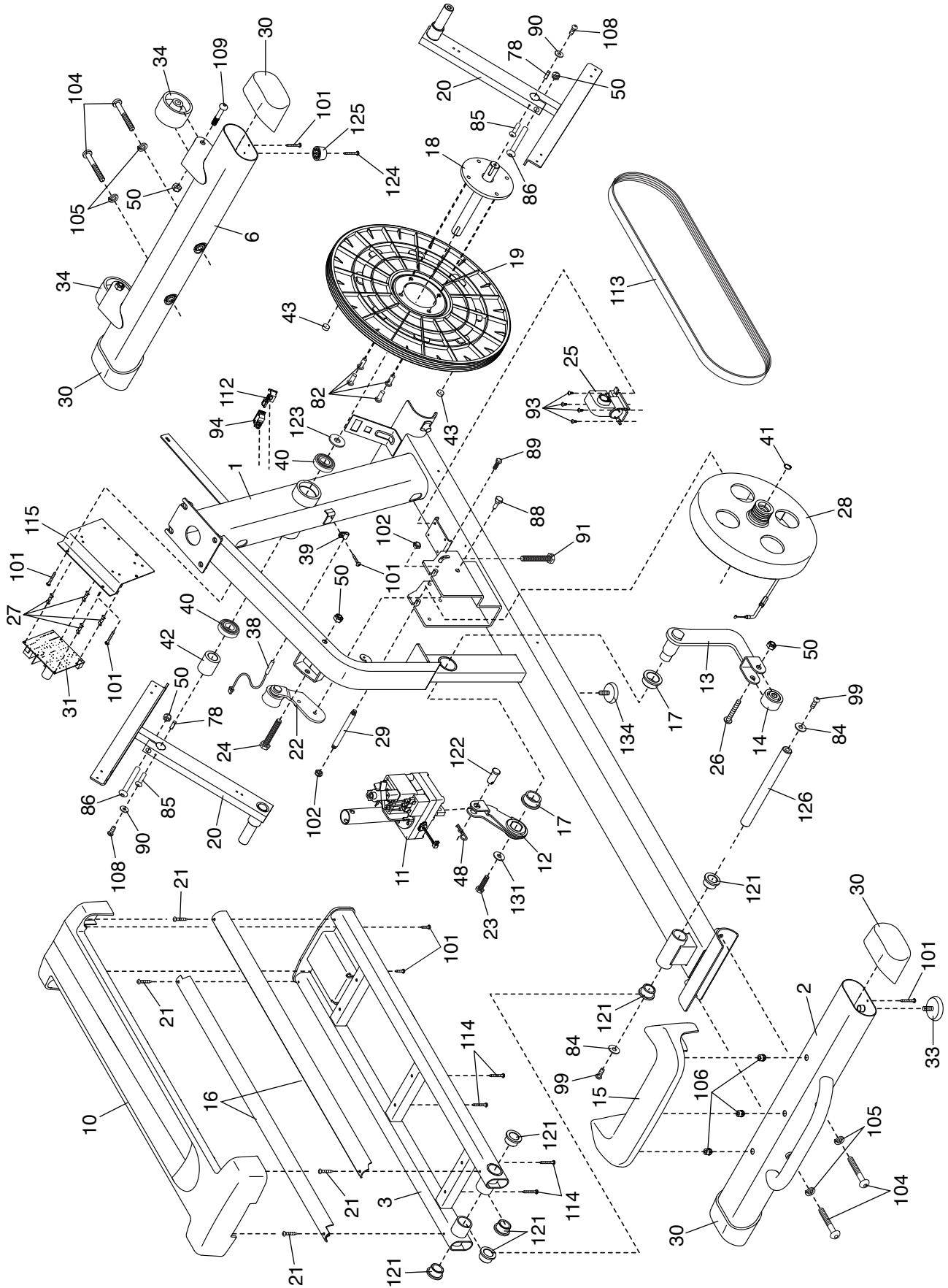


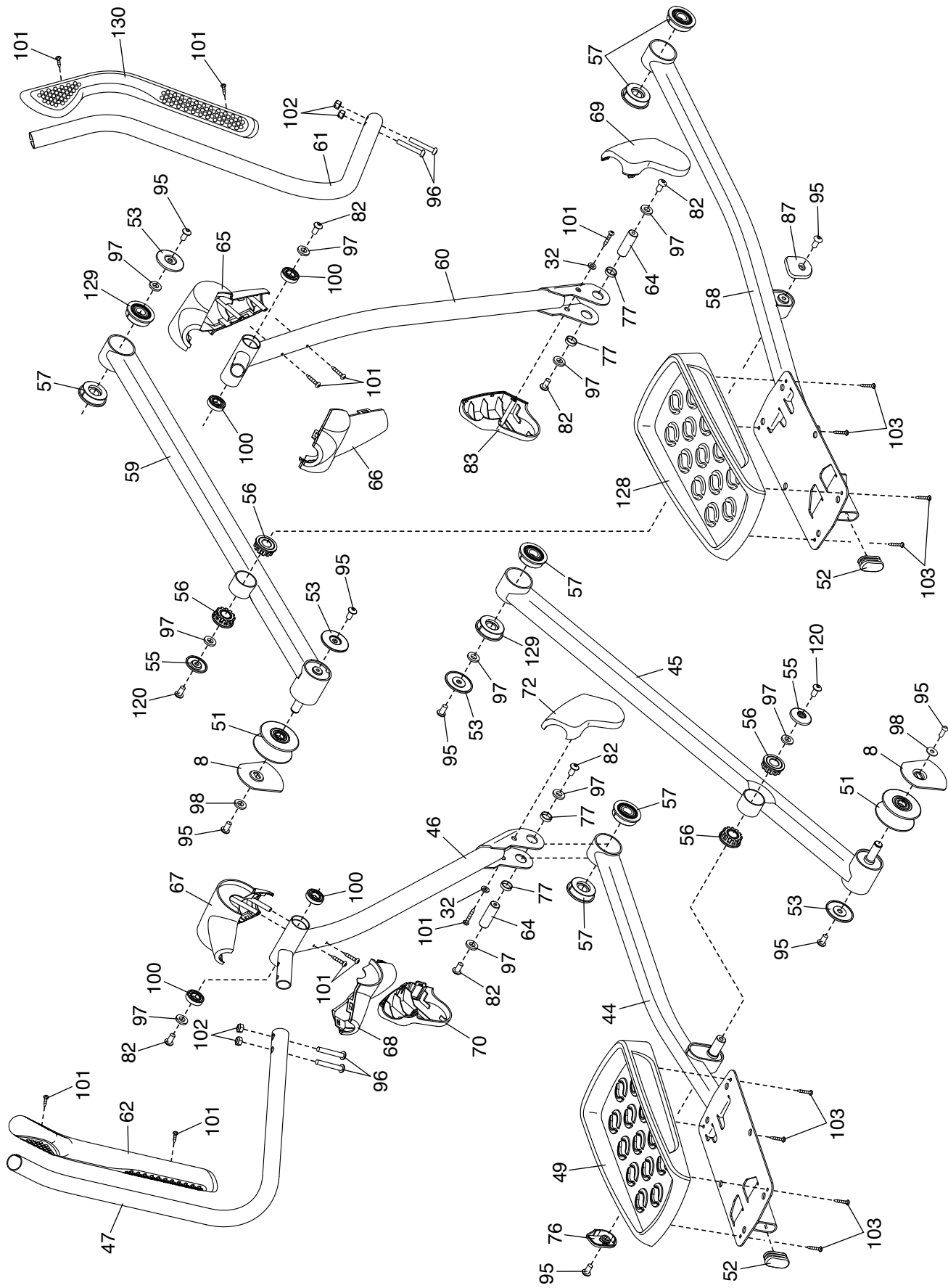
EXPLODED DRAWING A

Model No. 24035C.0 R0816A



EXPLODED DRAWING B

Model No. 24035C.0 R0816A



EXPLODED DRAWING C

Model No. 24035C.0 R0816A

