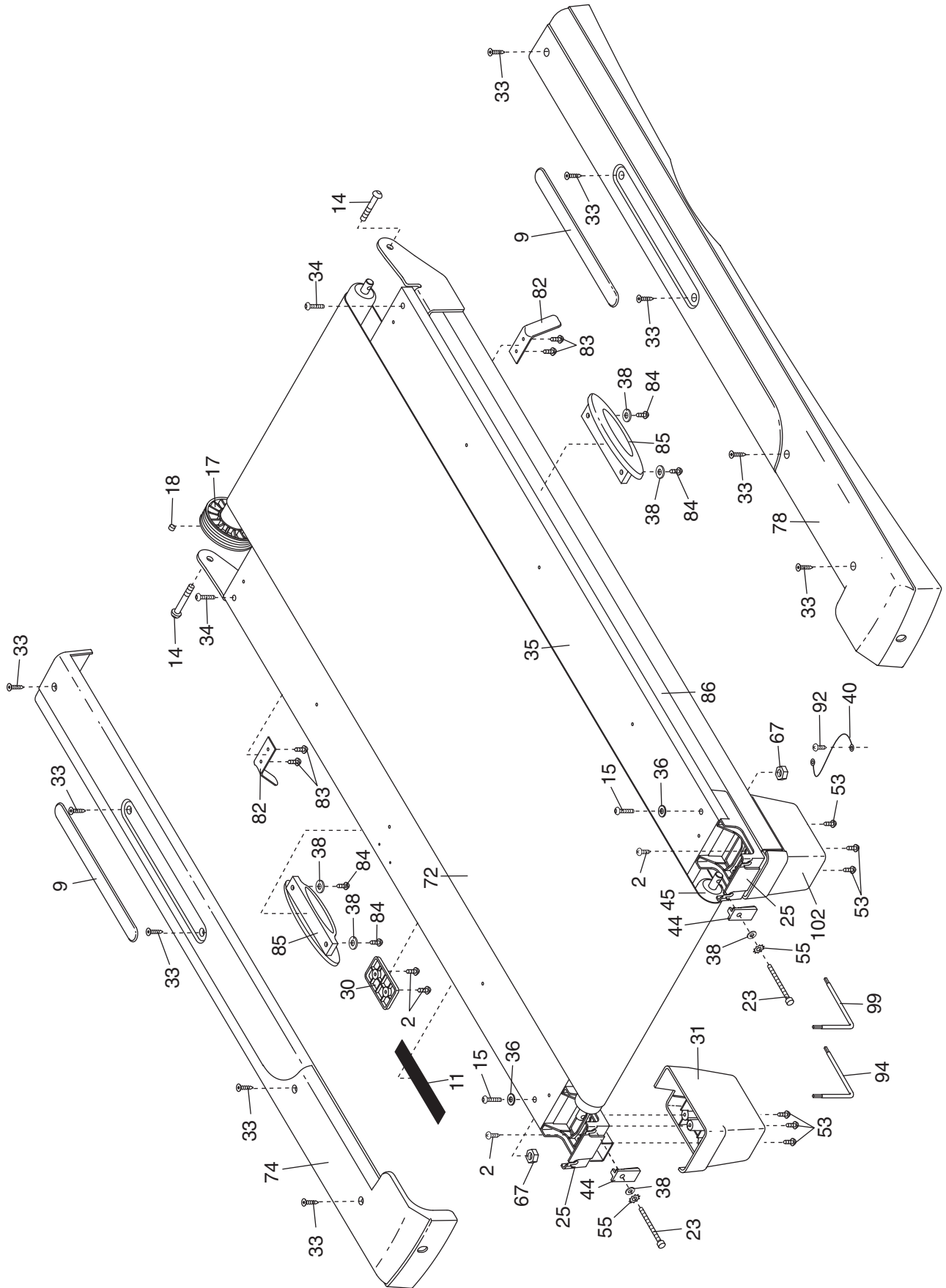


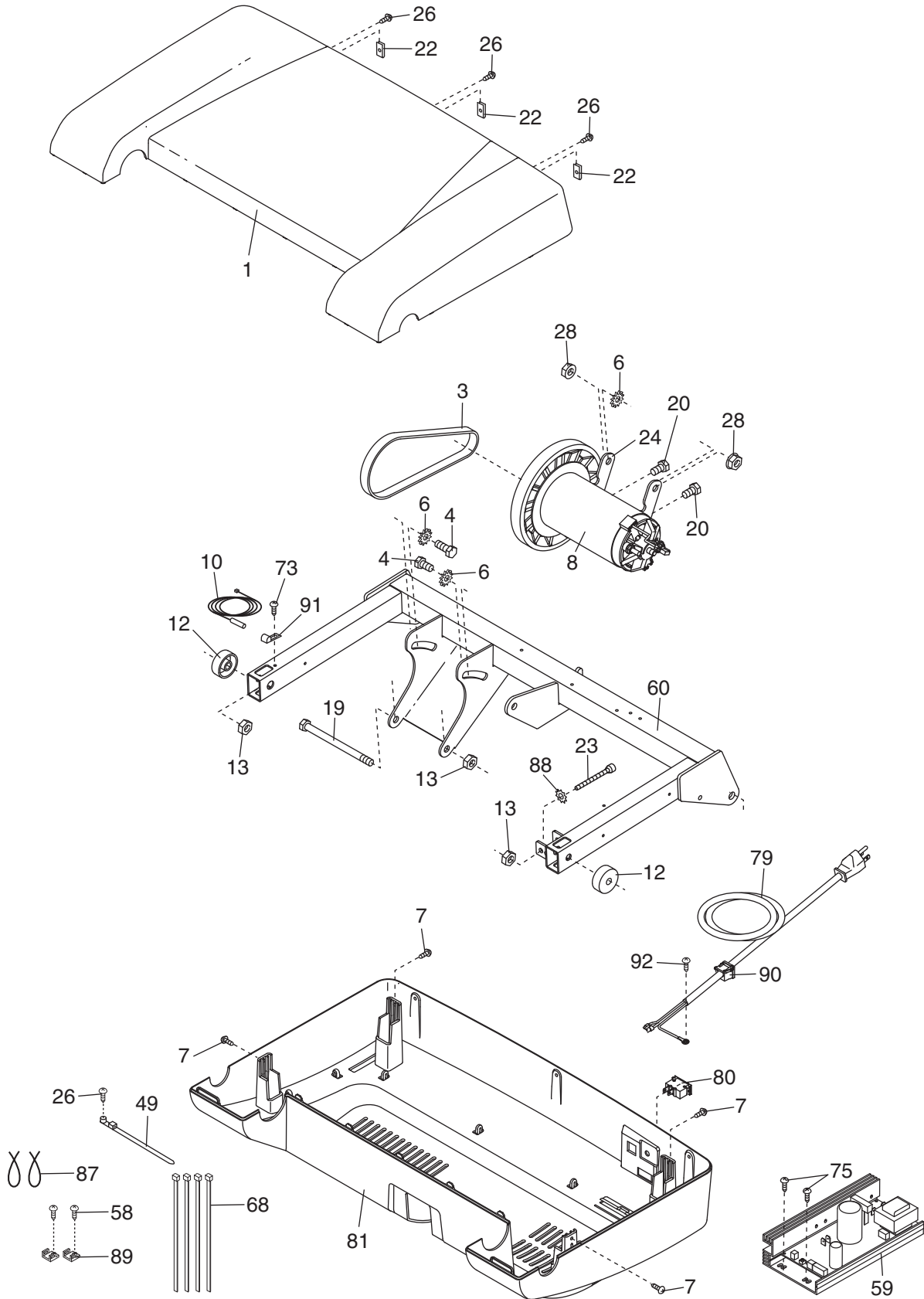
EXPLODED DRAWING A—Model No. 831.24624.0

R0806A



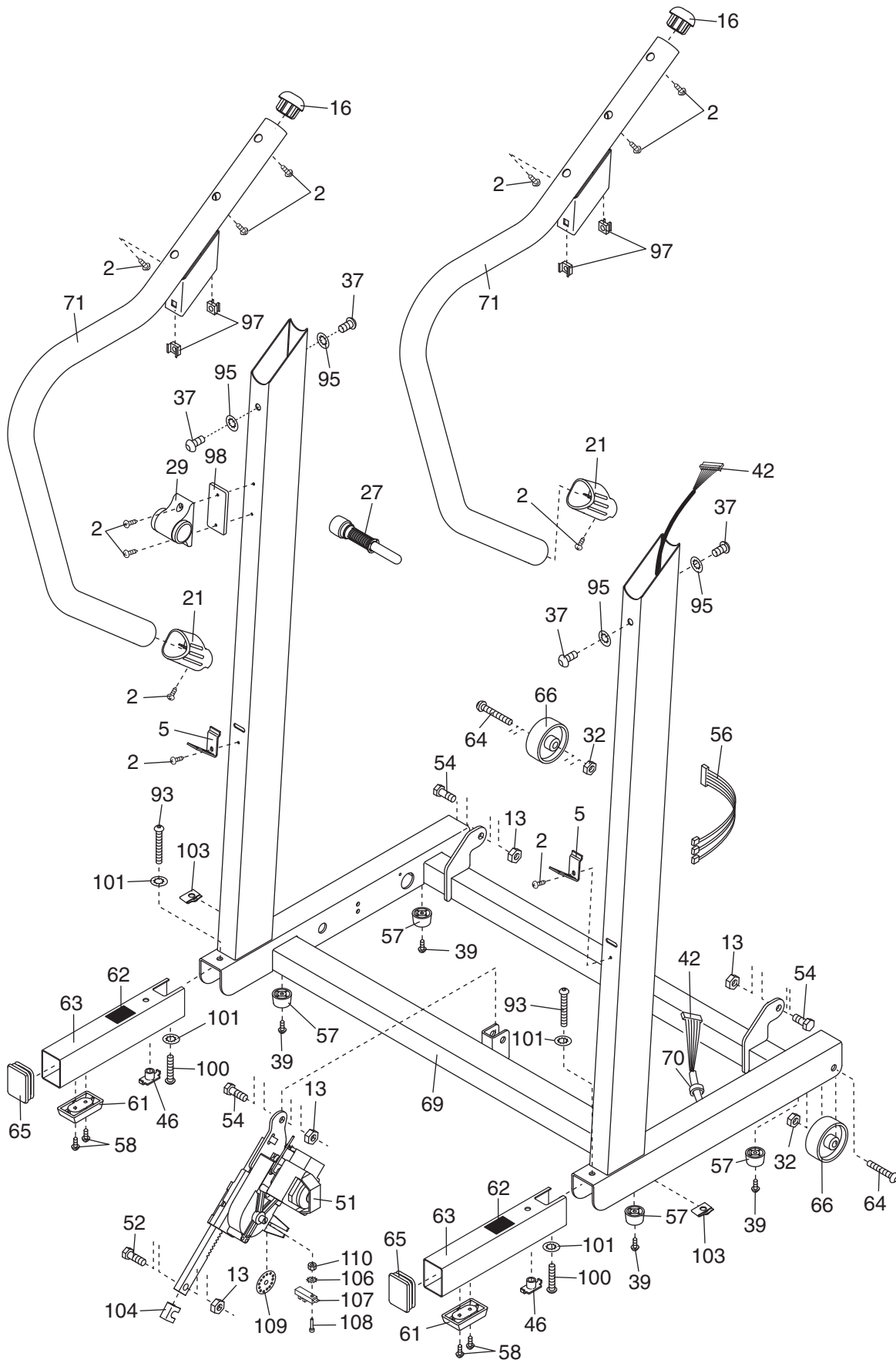
EXPLODED DRAWING B—Model No. 831.24624.0

R0806A



EXPLODED DRAWING C—Model No. 831.24624.0

R0806A



EXPLODED DRAWING D—Model No. 831.24624.0

R0806A

