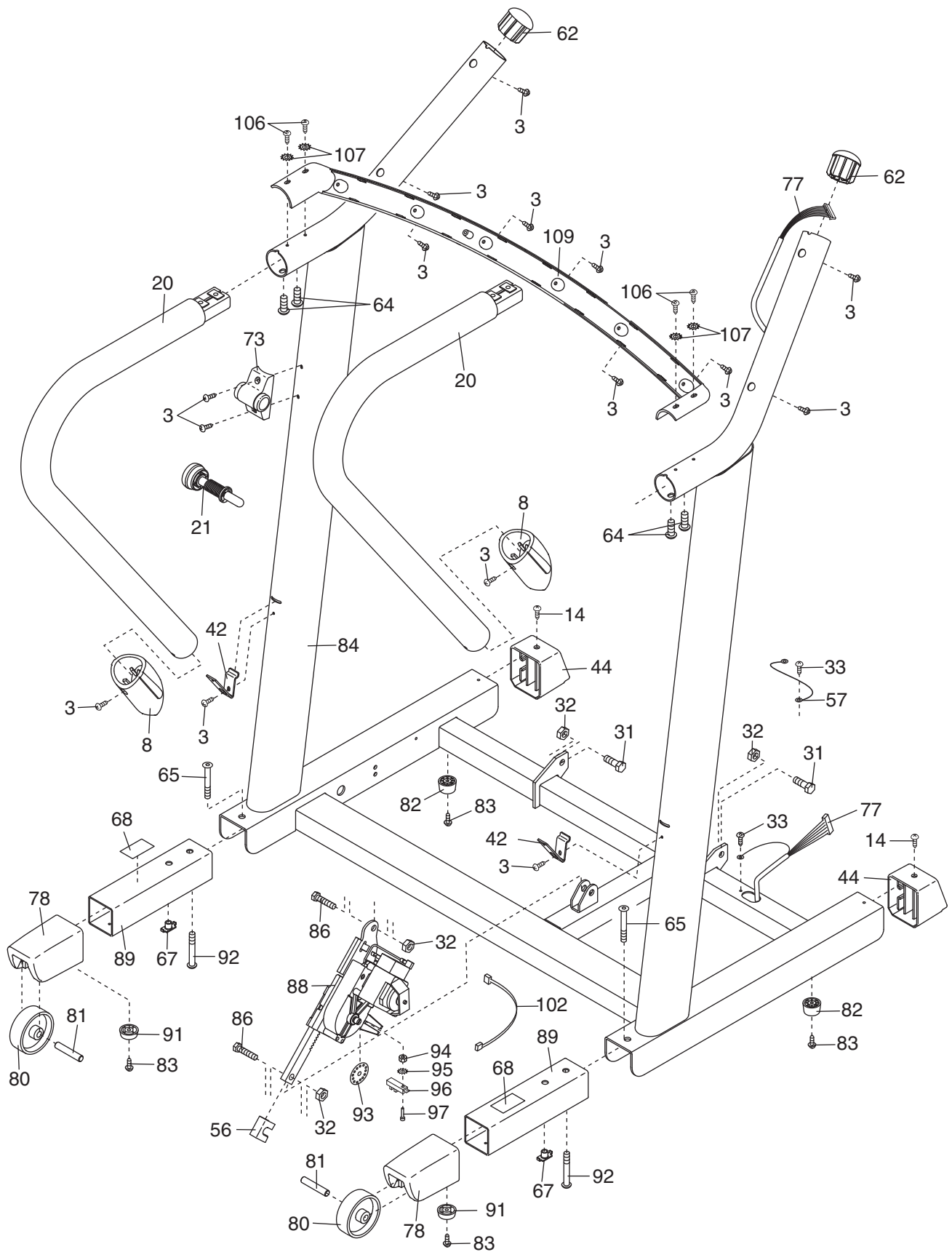






# EXPLODED DRAWING C—Model No. 831.24646.1

R1106A



# EXPLODED DRAWING D—Model No. 831.24646.1

R1106A

