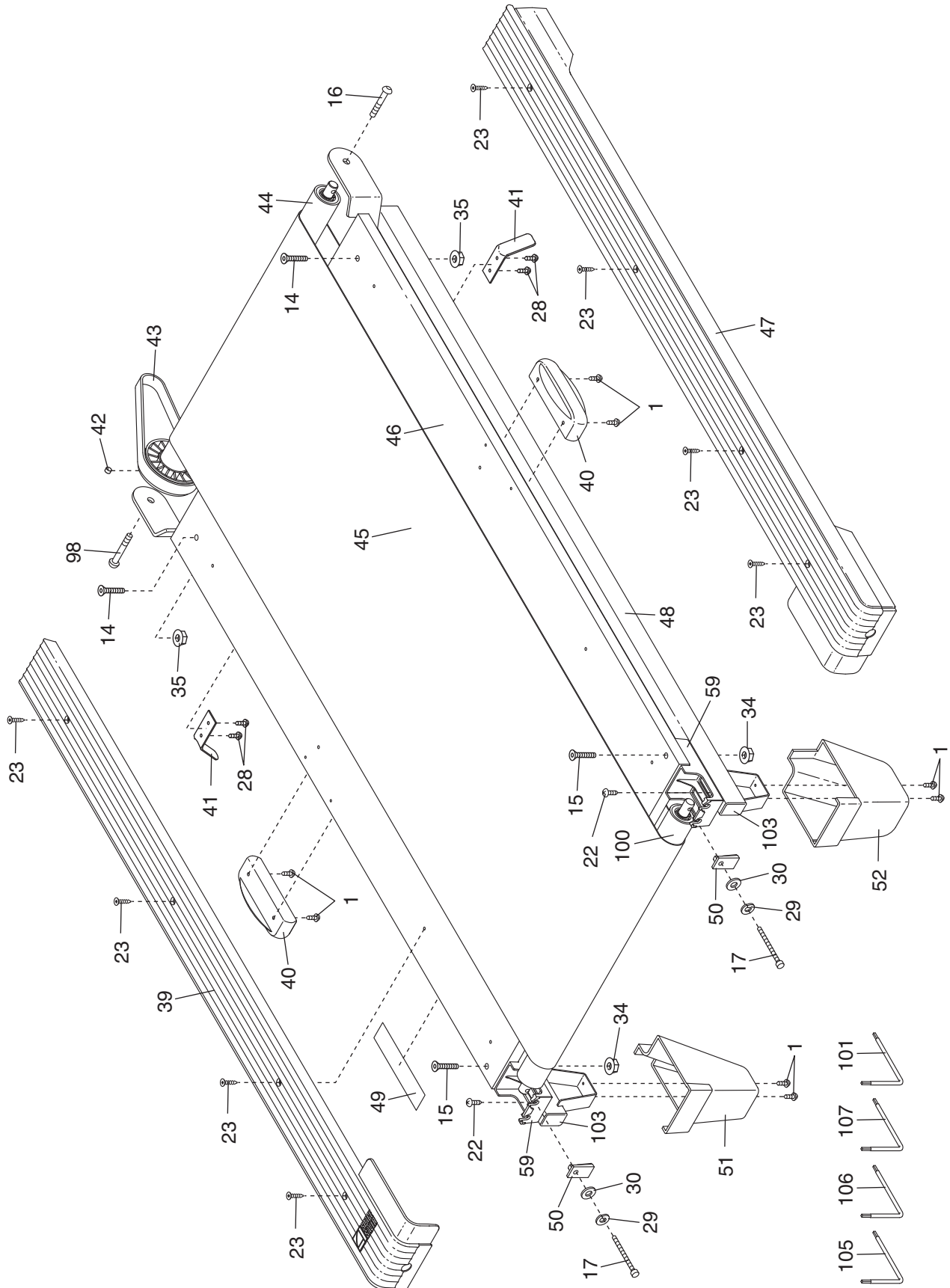


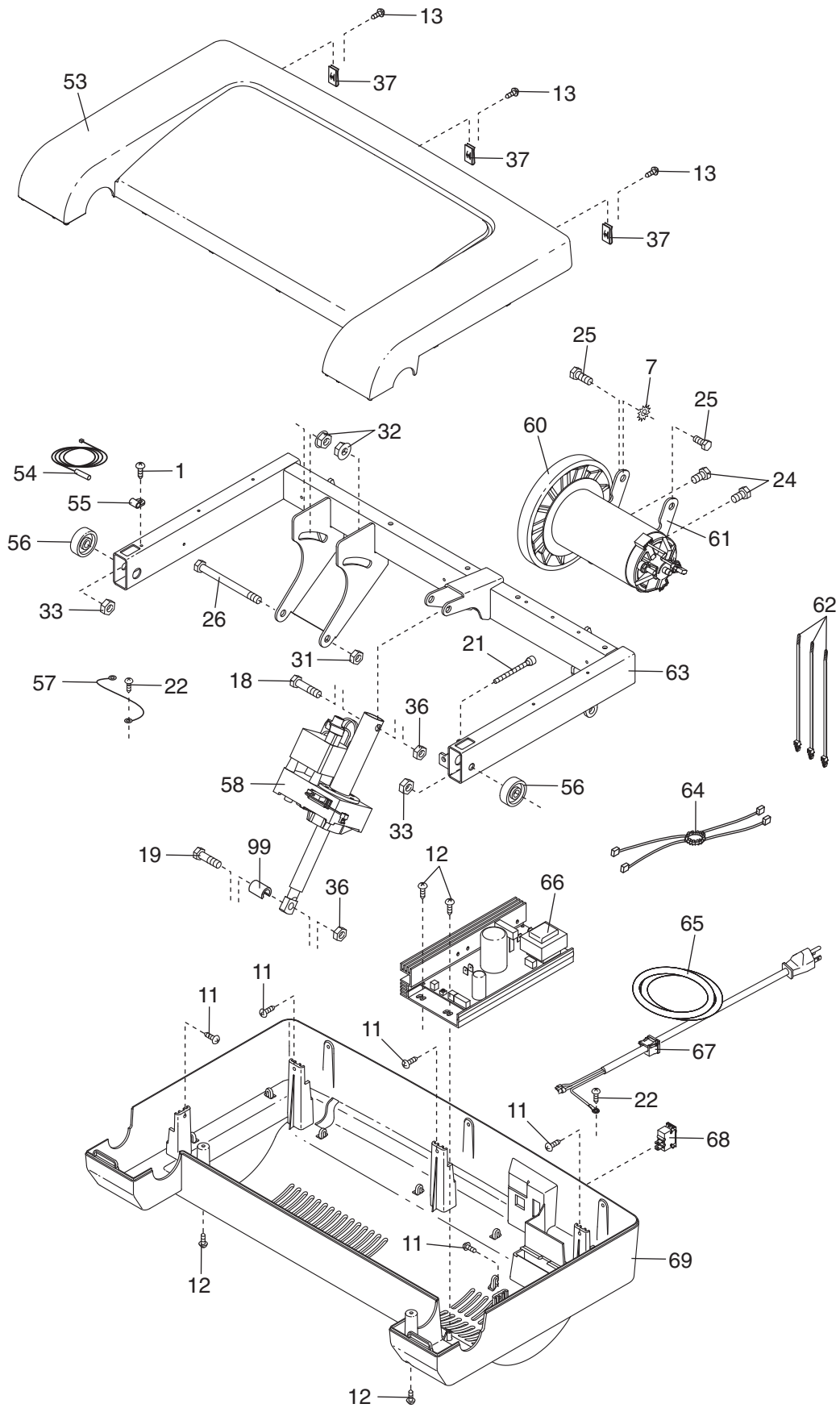
EXPLODED DRAWING A—Model No. 831.24723.0

R0607B



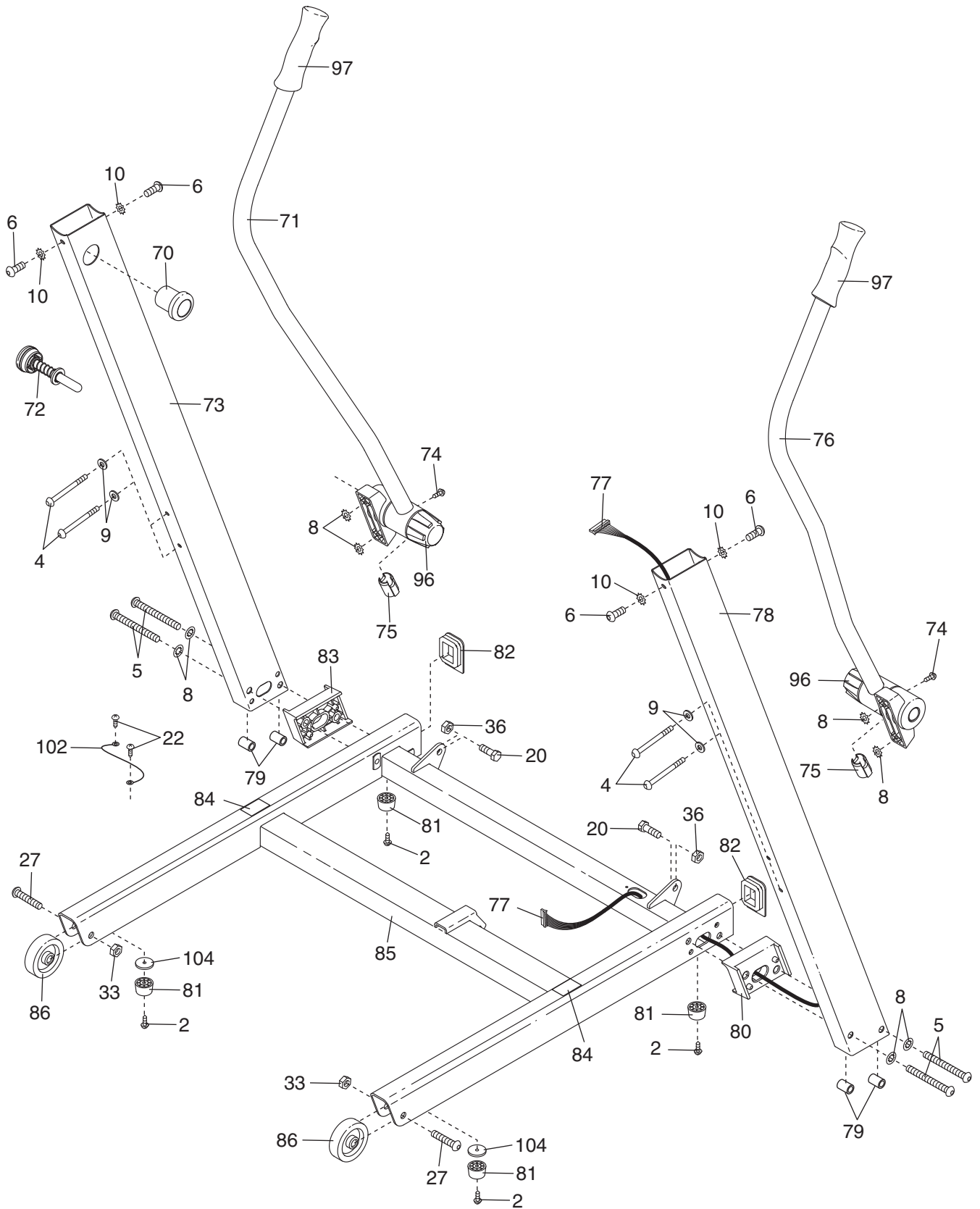
EXPLODED DRAWING B—Model No. 831.24723.0

R0607B



EXPLODED DRAWING C—Model No. 831.24723.0

R0607B



EXPLODED DRAWING D—Model No. 831.24723.0

R0607B

