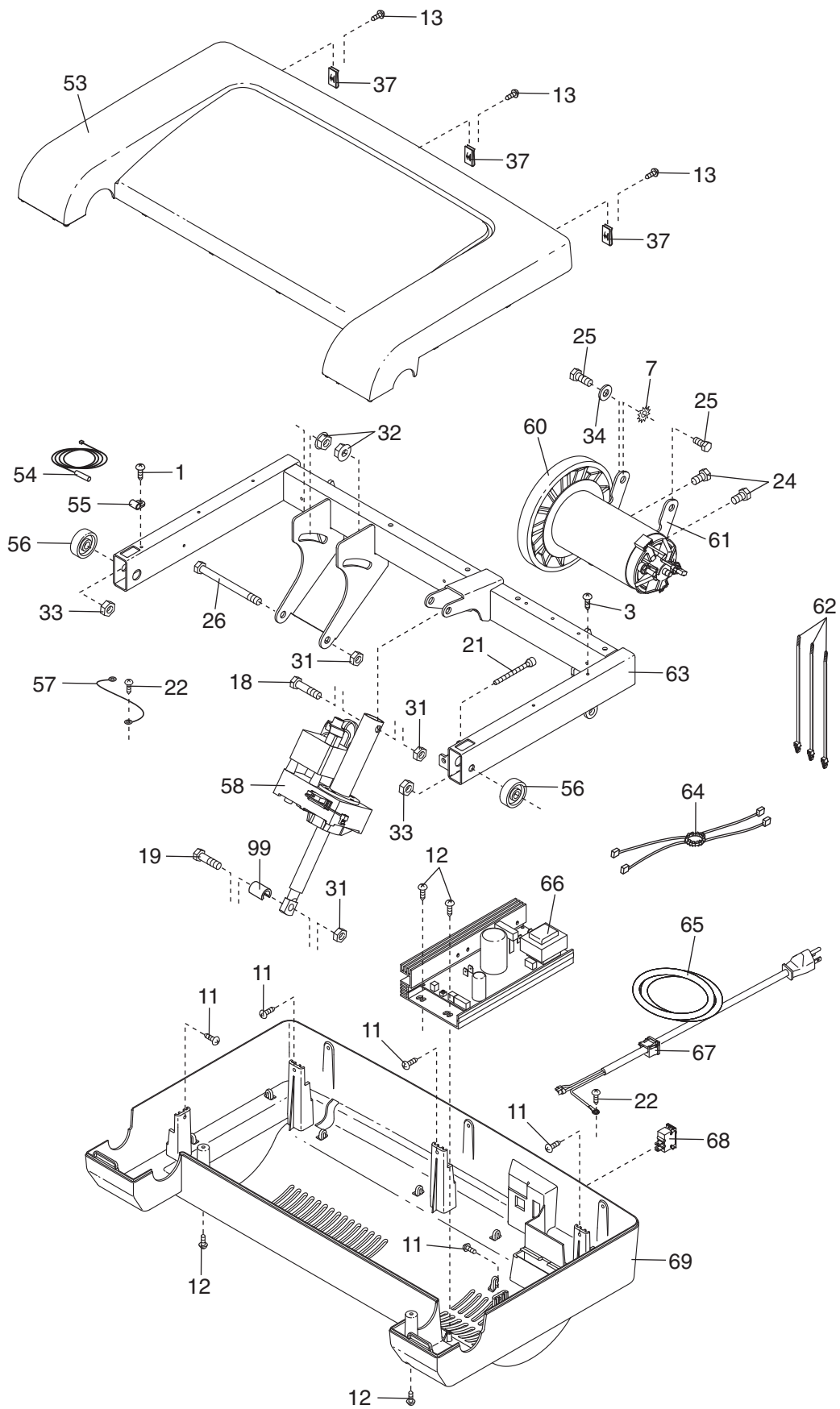


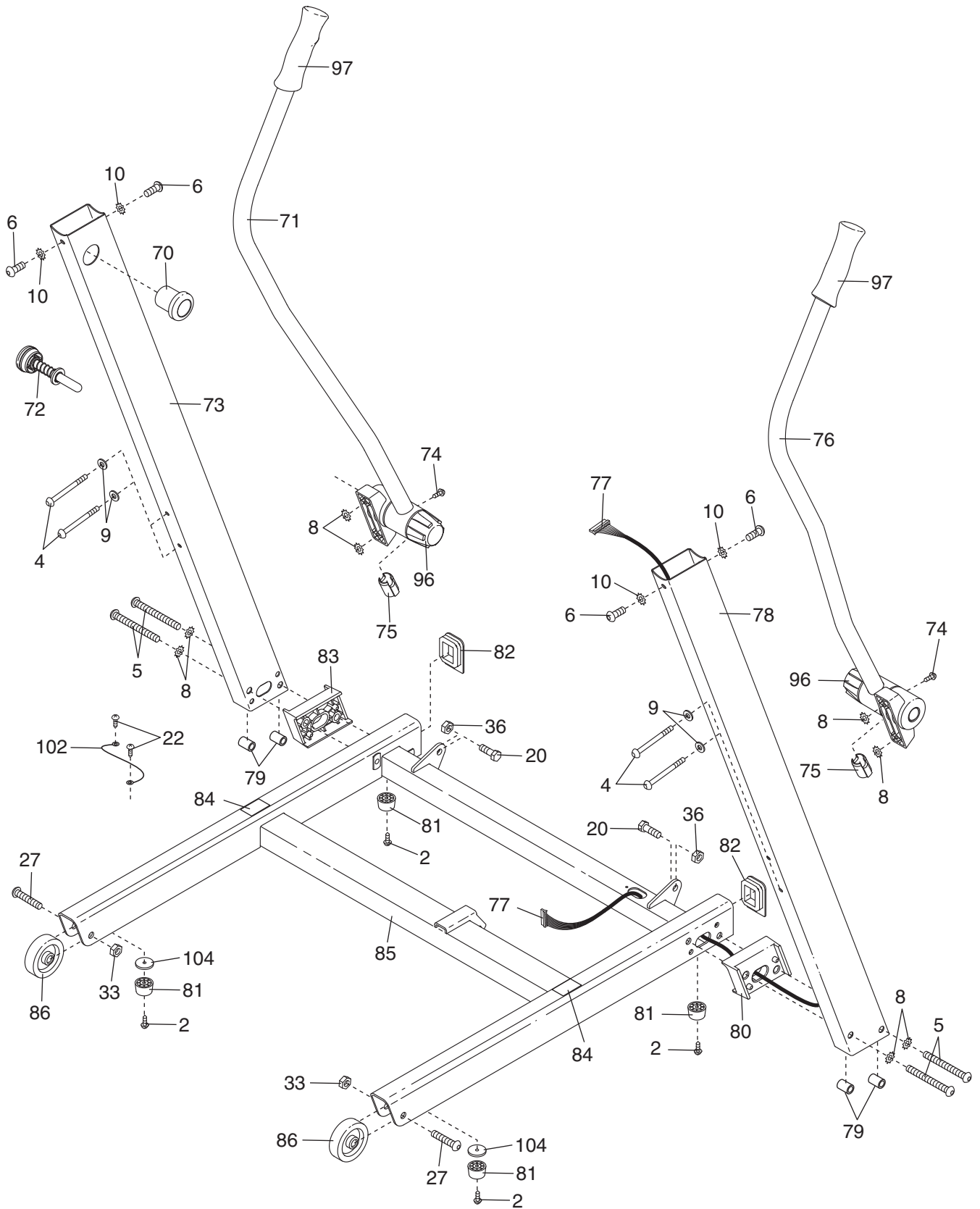
EXPLODED DRAWING B—Model No. 831.24723.2

R0607A



EXPLODED DRAWING C—Model No. 831.24723.2

R0607A



EXPLODED DRAWING D—Model No. 831.24723.2

R0607A

