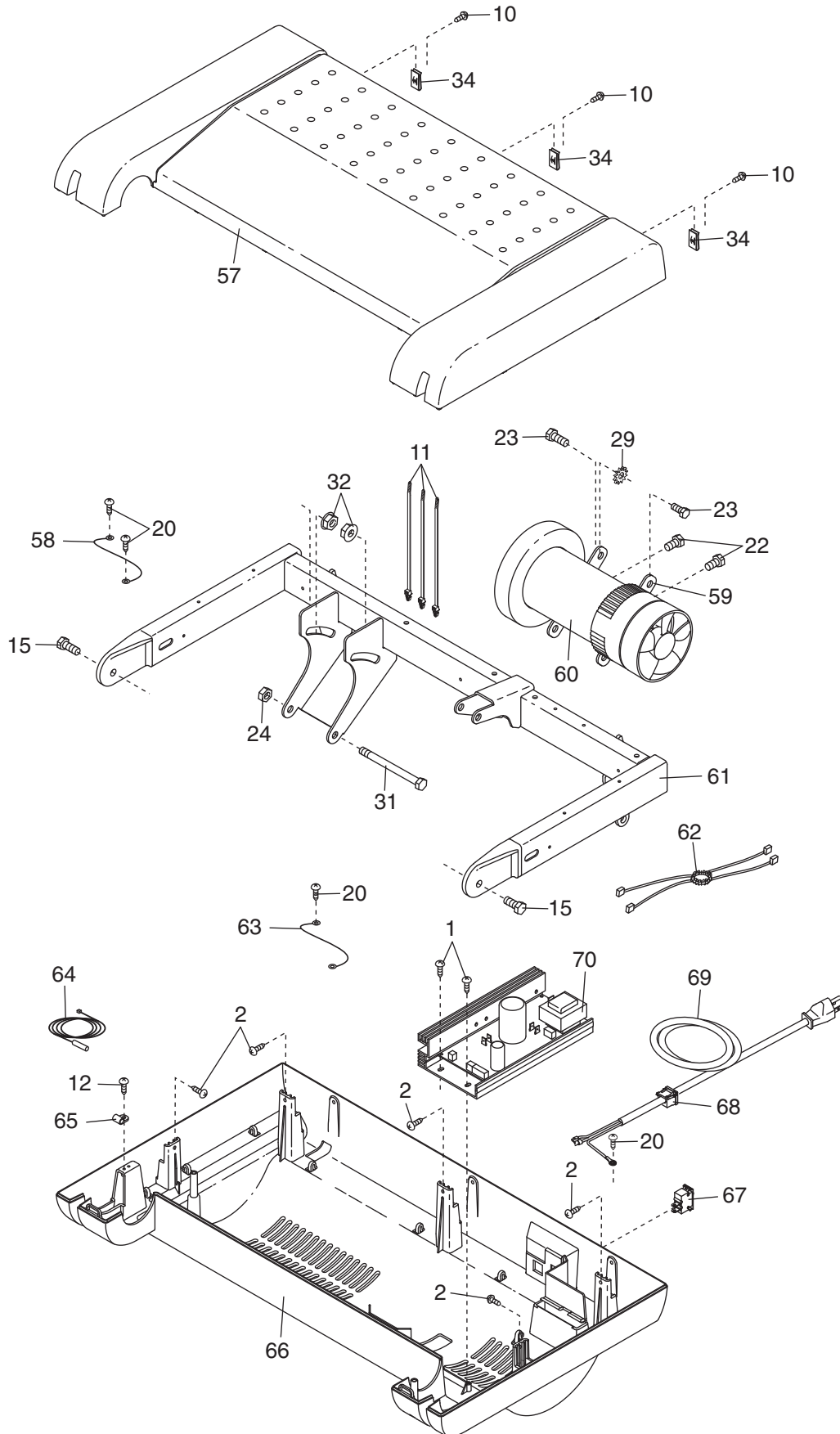




# EXPLODED DRAWING B—Model No. 831.24745.1

R1207A





# EXPLODED DRAWING D—Model No. 831.24745.1

R1207A

