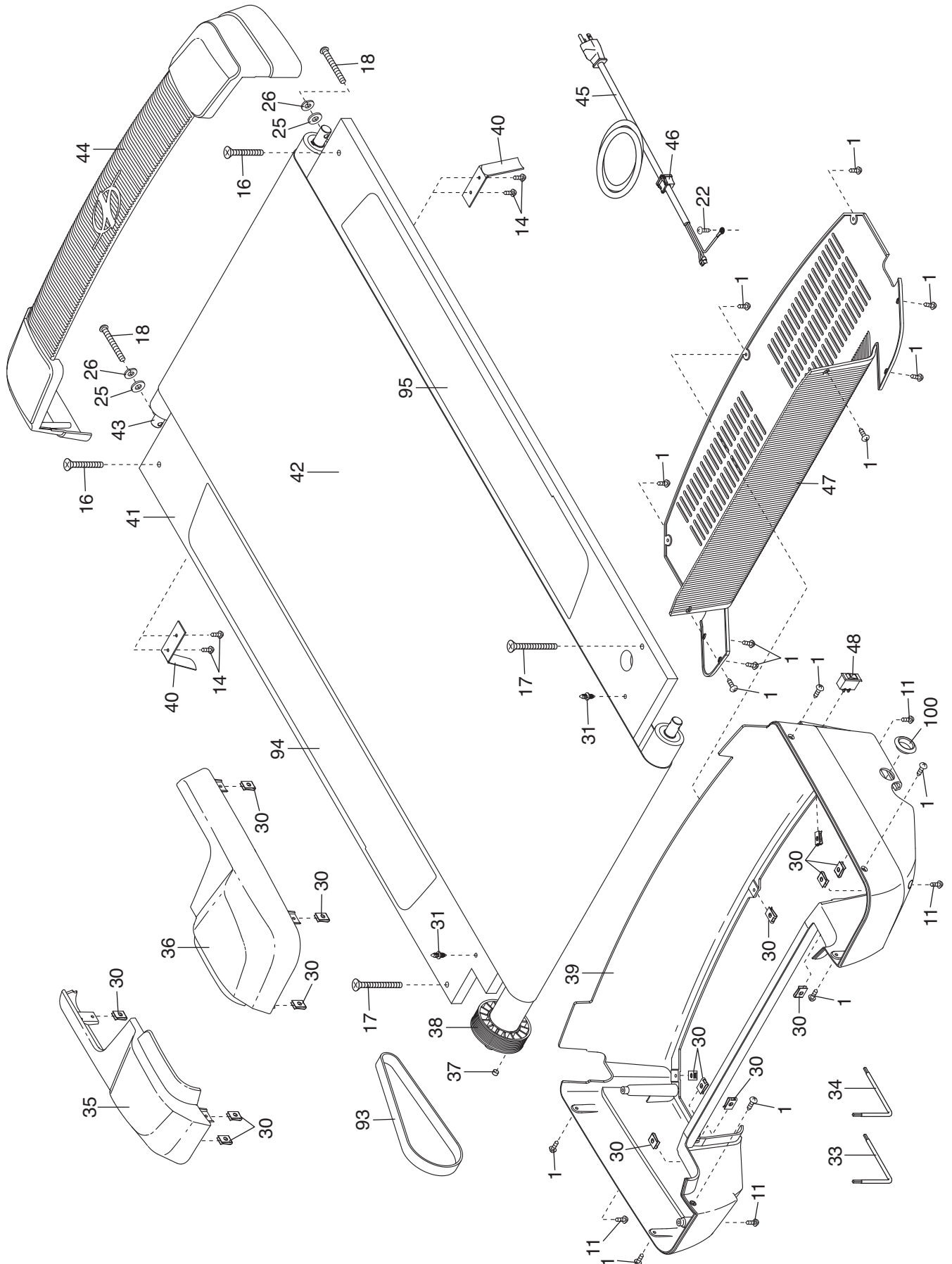


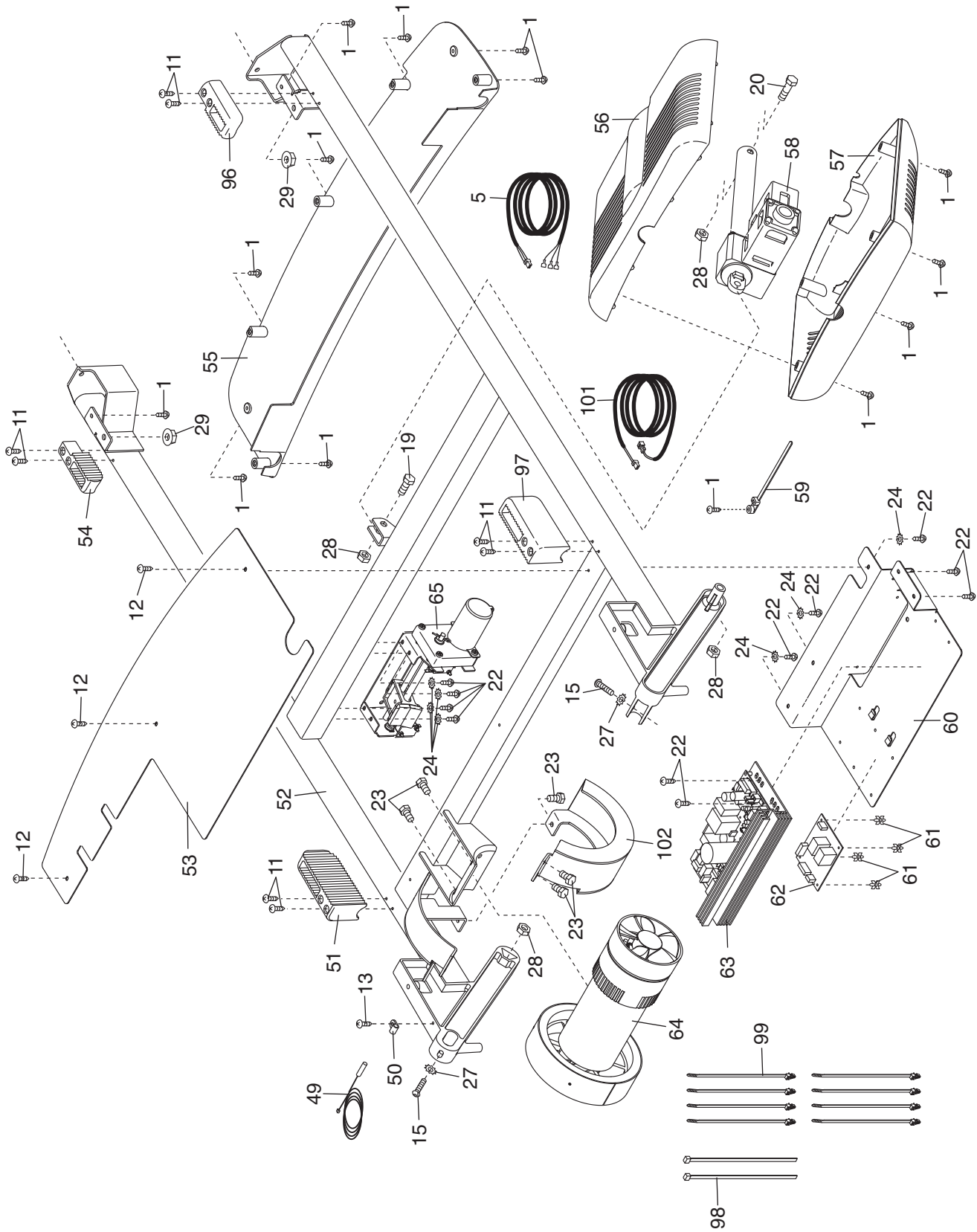
EXPLODED DRAWING A—Model No. NTL15008.0

R1208C



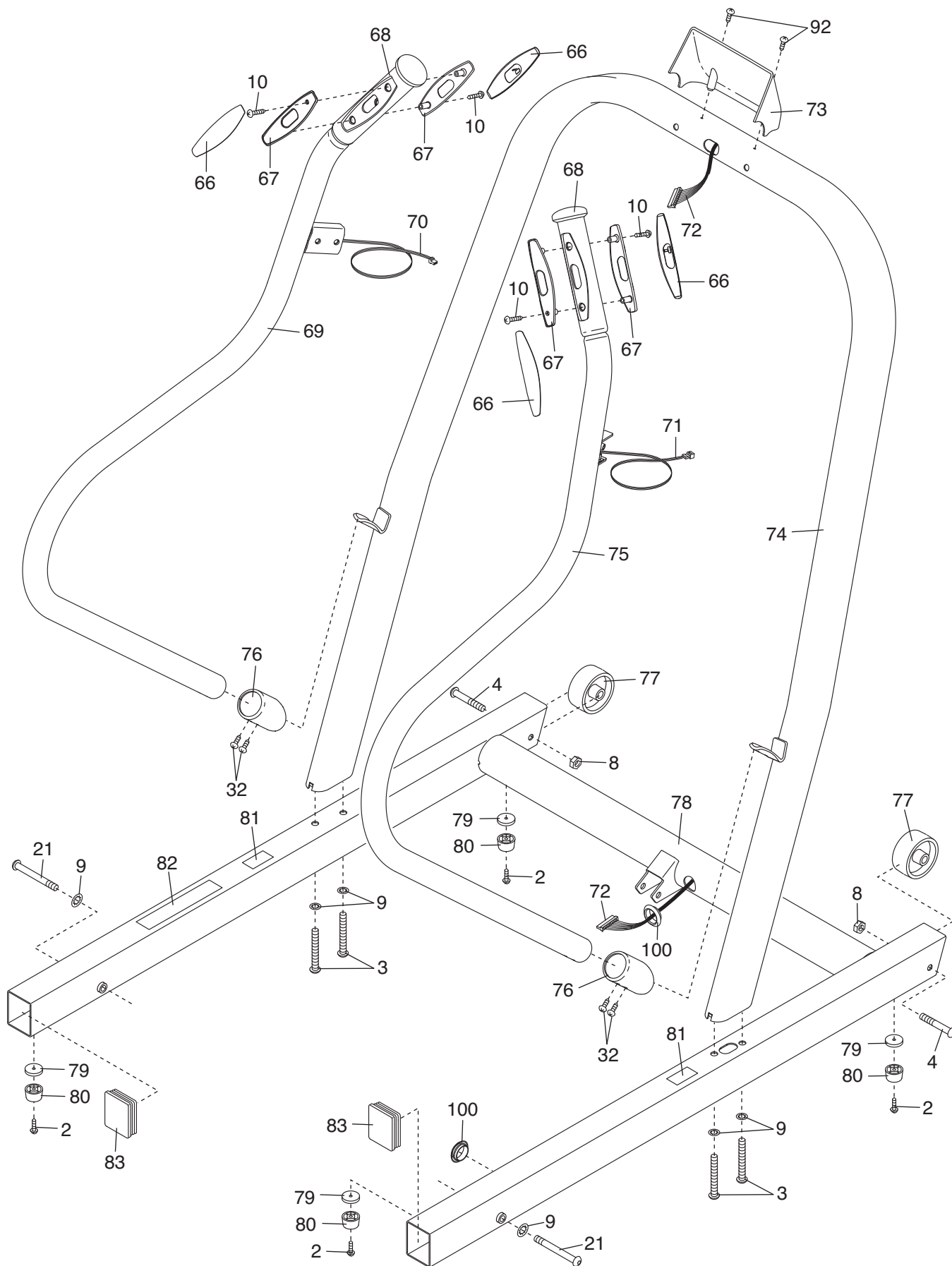
EXPLODED DRAWING B—Model No. NTL15008.0

R1208C



EXPLODED DRAWING C—Model No. NTL15008.0

R1208C



EXPLODED DRAWING D—Model No. NTL15008.0

R1208C

