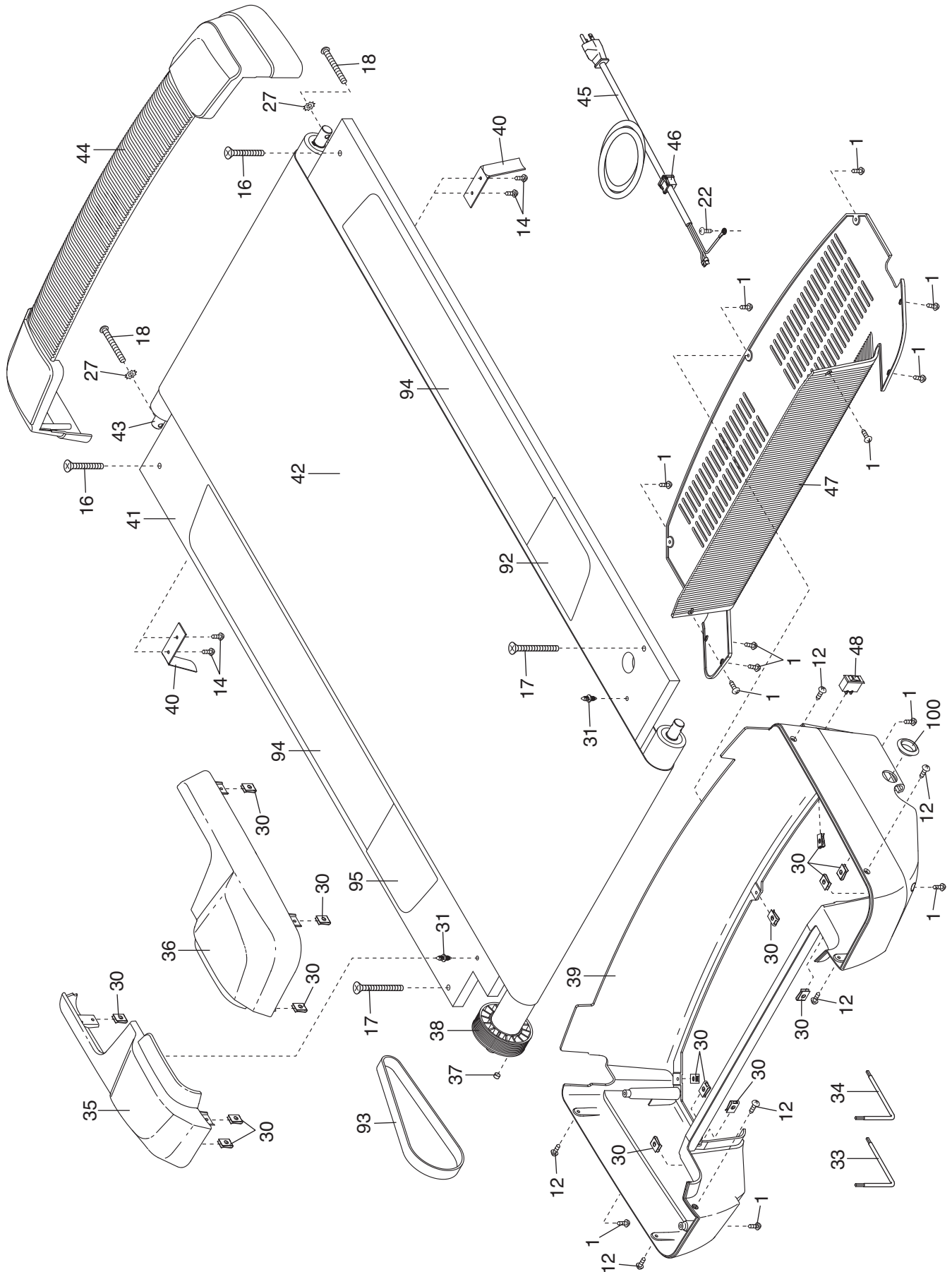


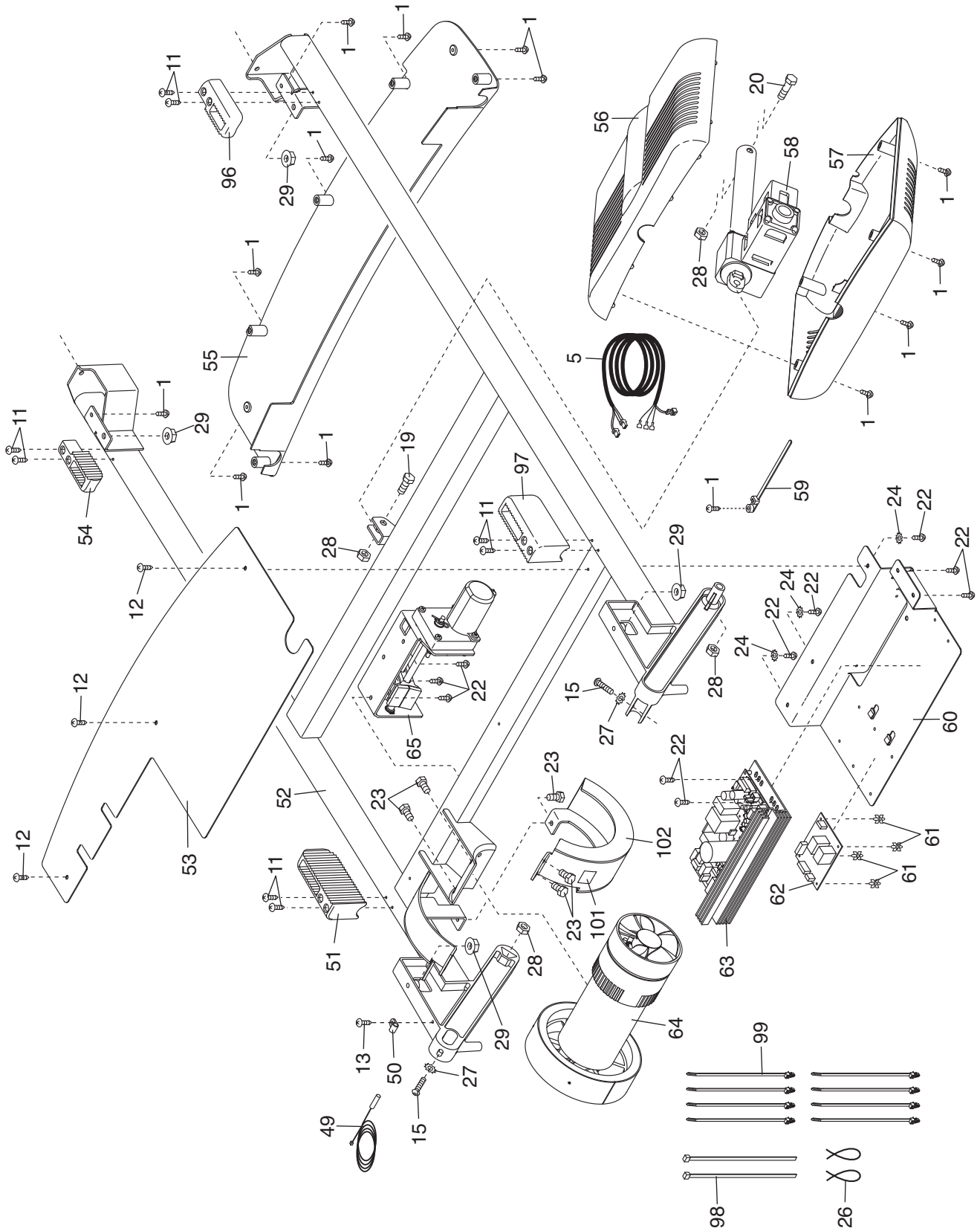
EXPLODED DRAWING A—Model No. NTL15008.3

R0909A



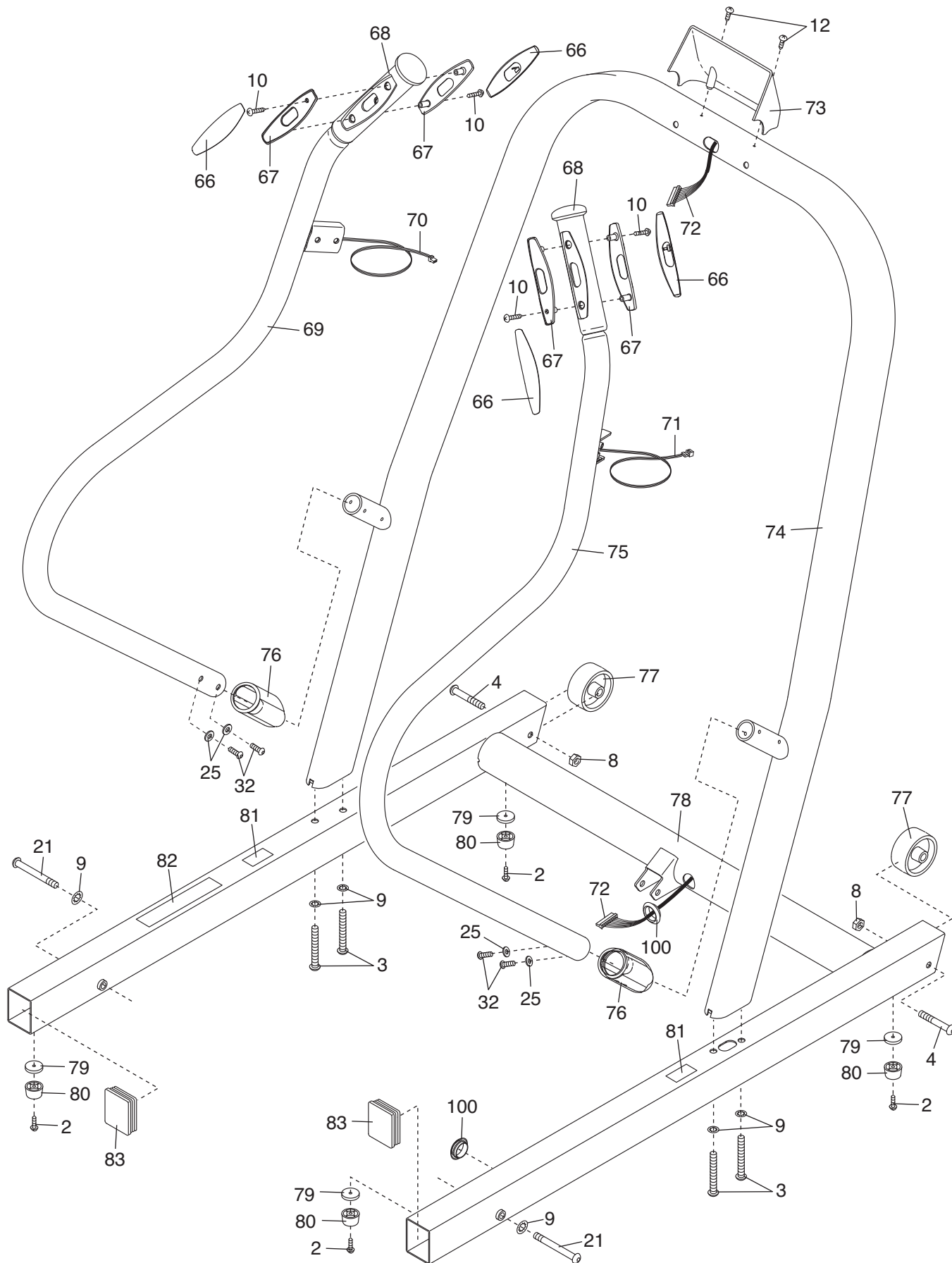
EXPLODED DRAWING B—Model No. NTL15008.3

R0909A



EXPLODED DRAWING C—Model No. NTL15008.3

R0909A



EXPLODED DRAWING D—Model No. NTL15008.3

R0909A

