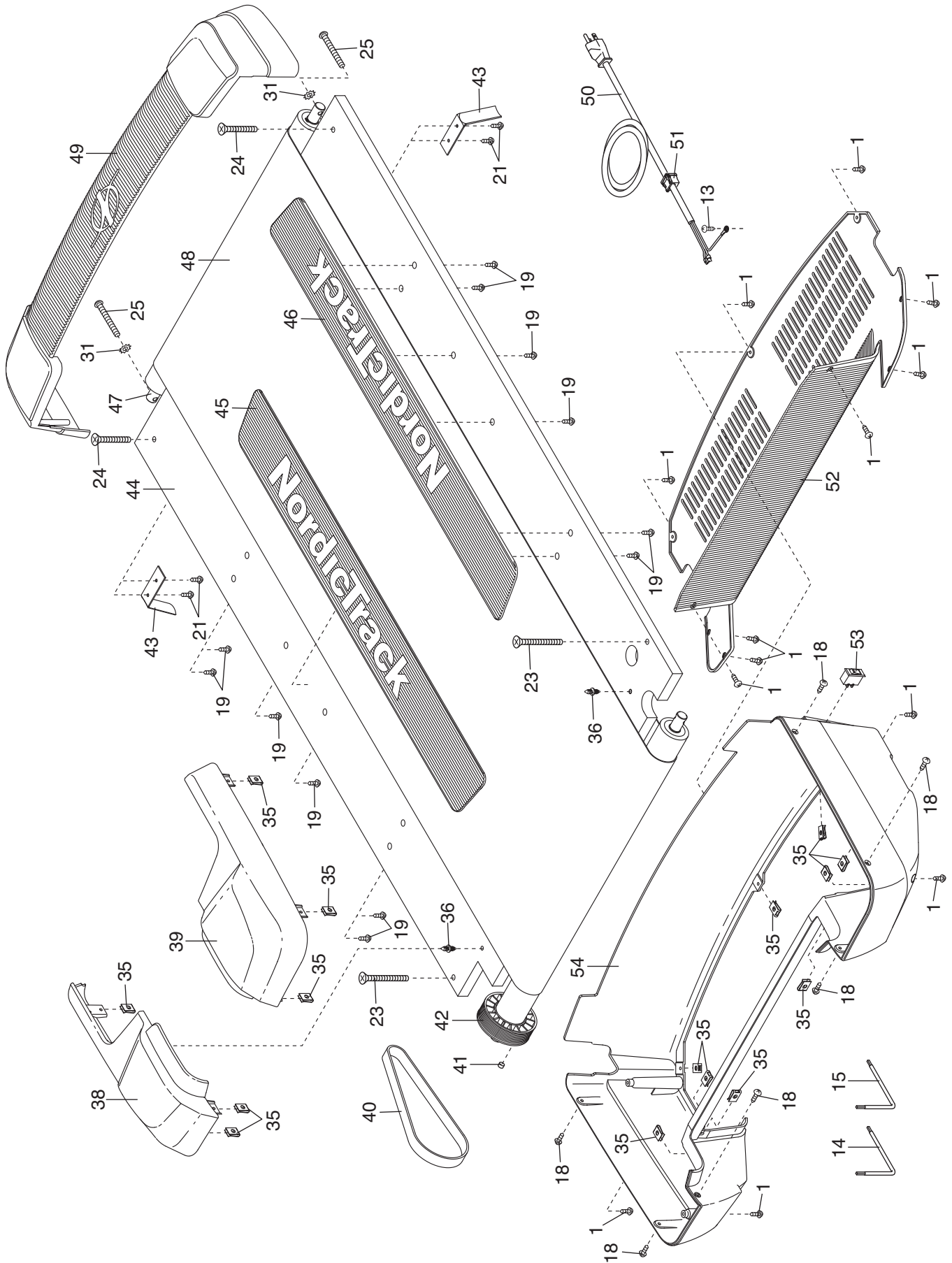


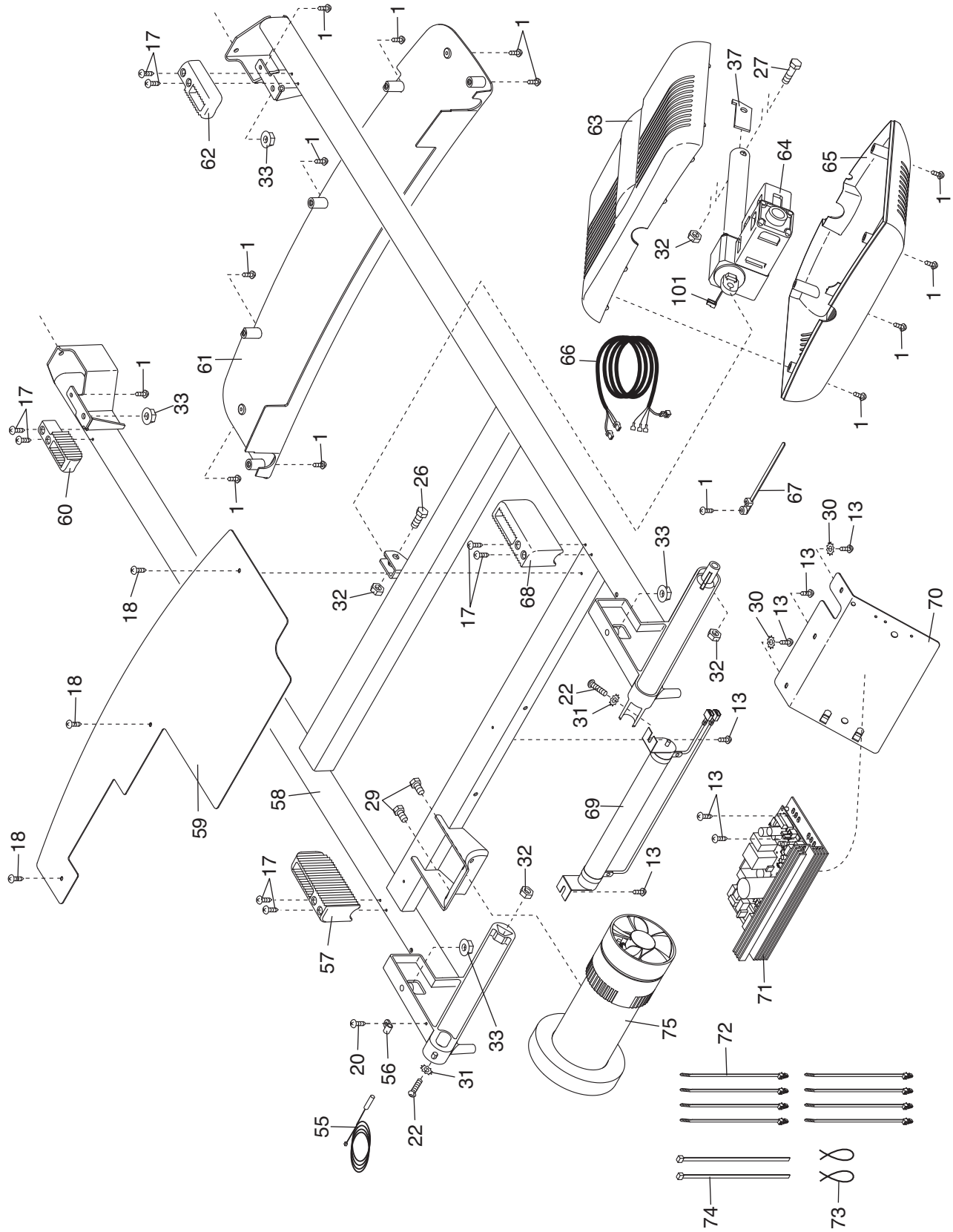
EXPLODED DRAWING A—Model No. NTL15909.0

R1209A



EXPLODED DRAWING B—Model No. NTL15909.0

R1209A



EXPLODED DRAWING D—Model No. NTL15909.0

R1209A

