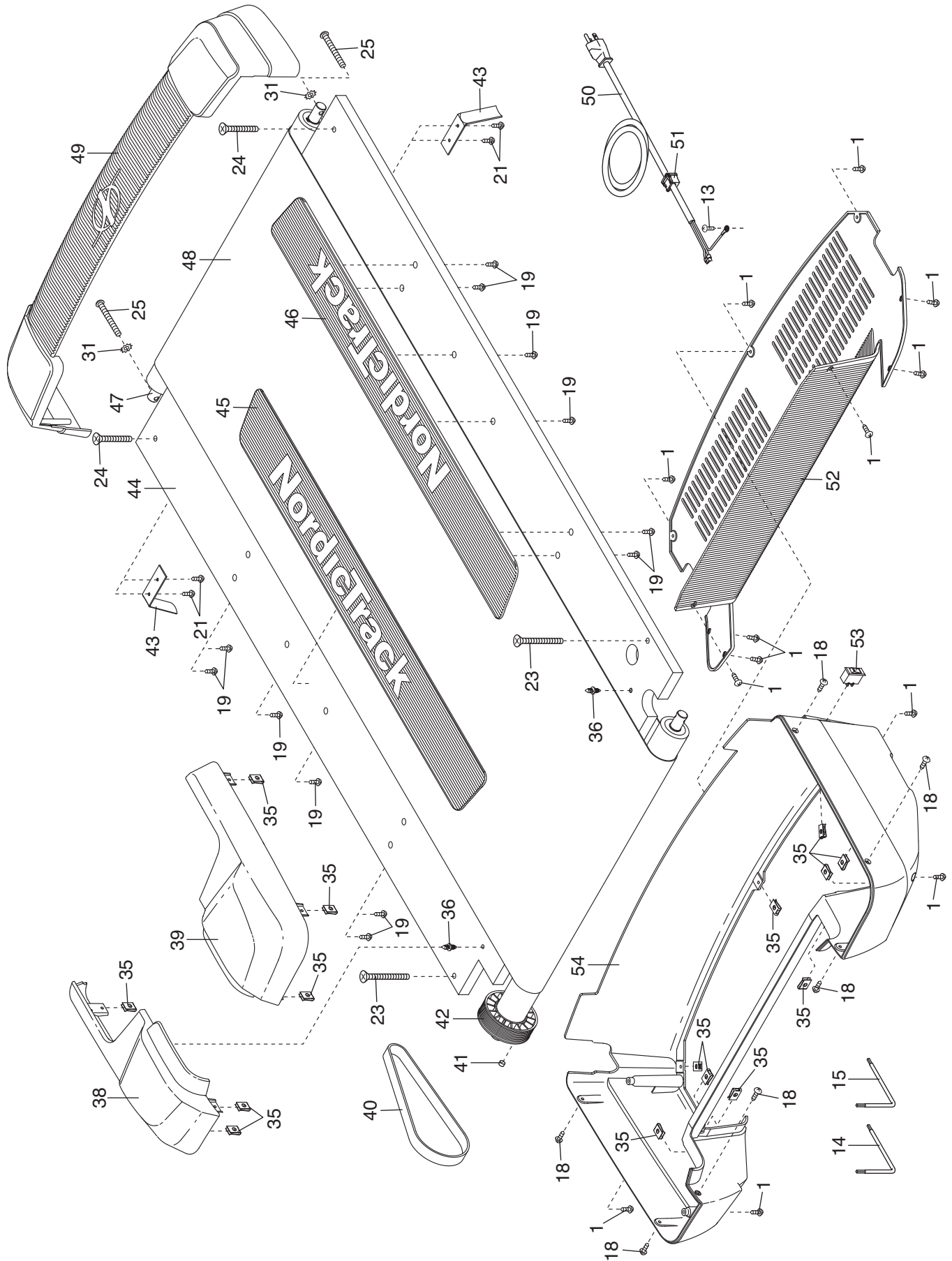


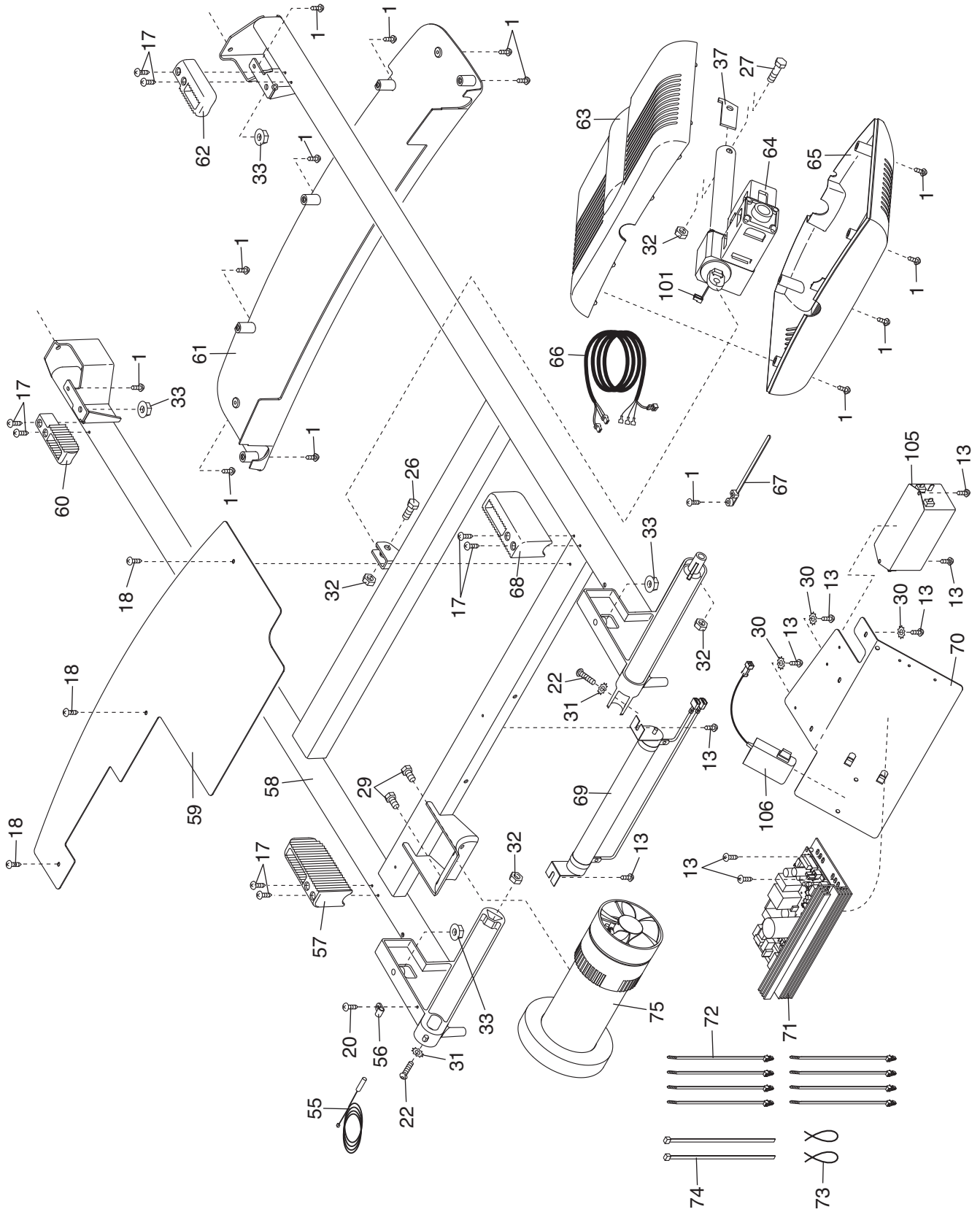
EXPLODED DRAWING A—Model No. NTL20909.0

R1209B



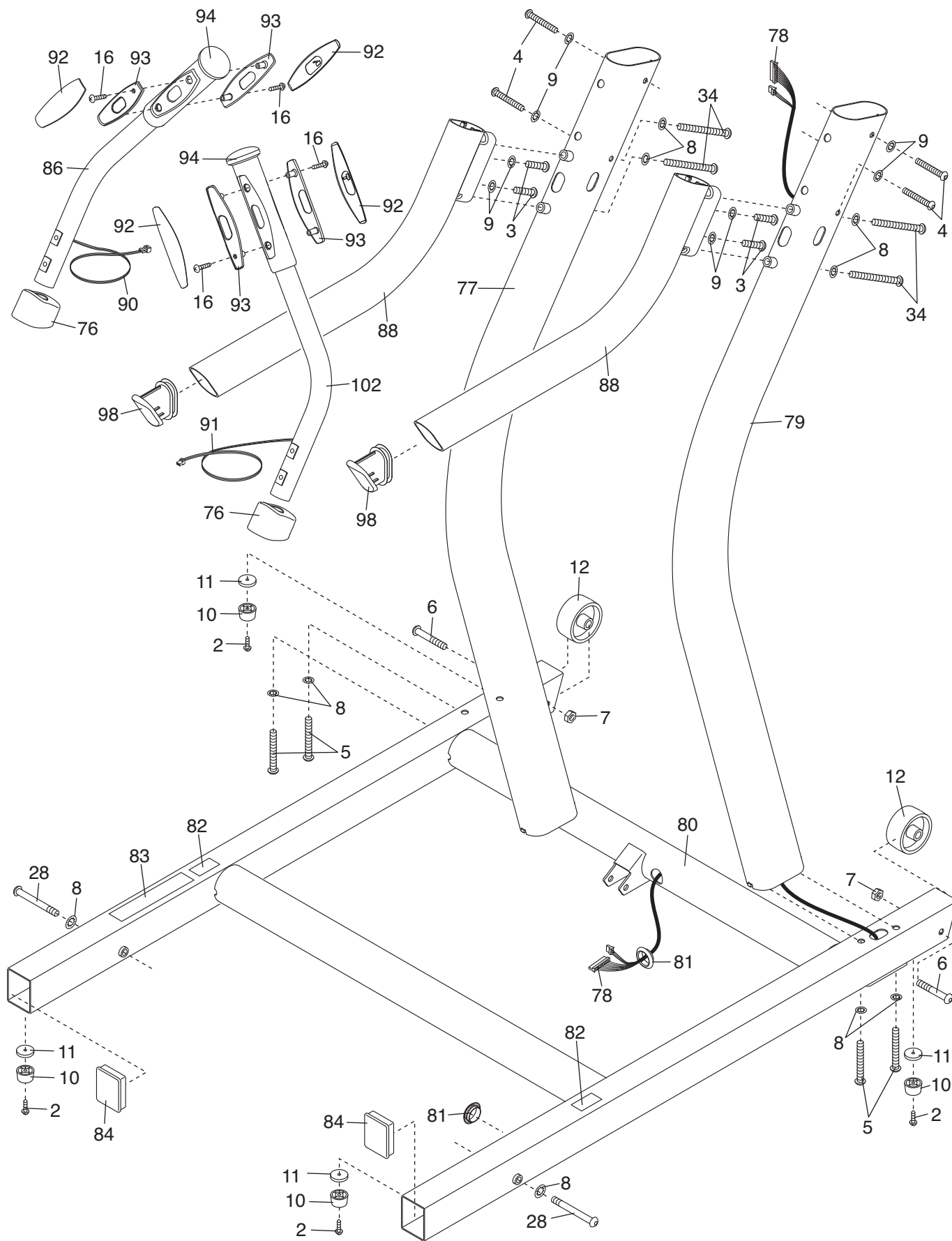
EXPLODED DRAWING B—Model No. NTL20909.0

R1209B



EXPLODED DRAWING C—Model No. NTL20909.0

R1209B



EXPLODED DRAWING D—Model No. NTL20909.0

R1209B

