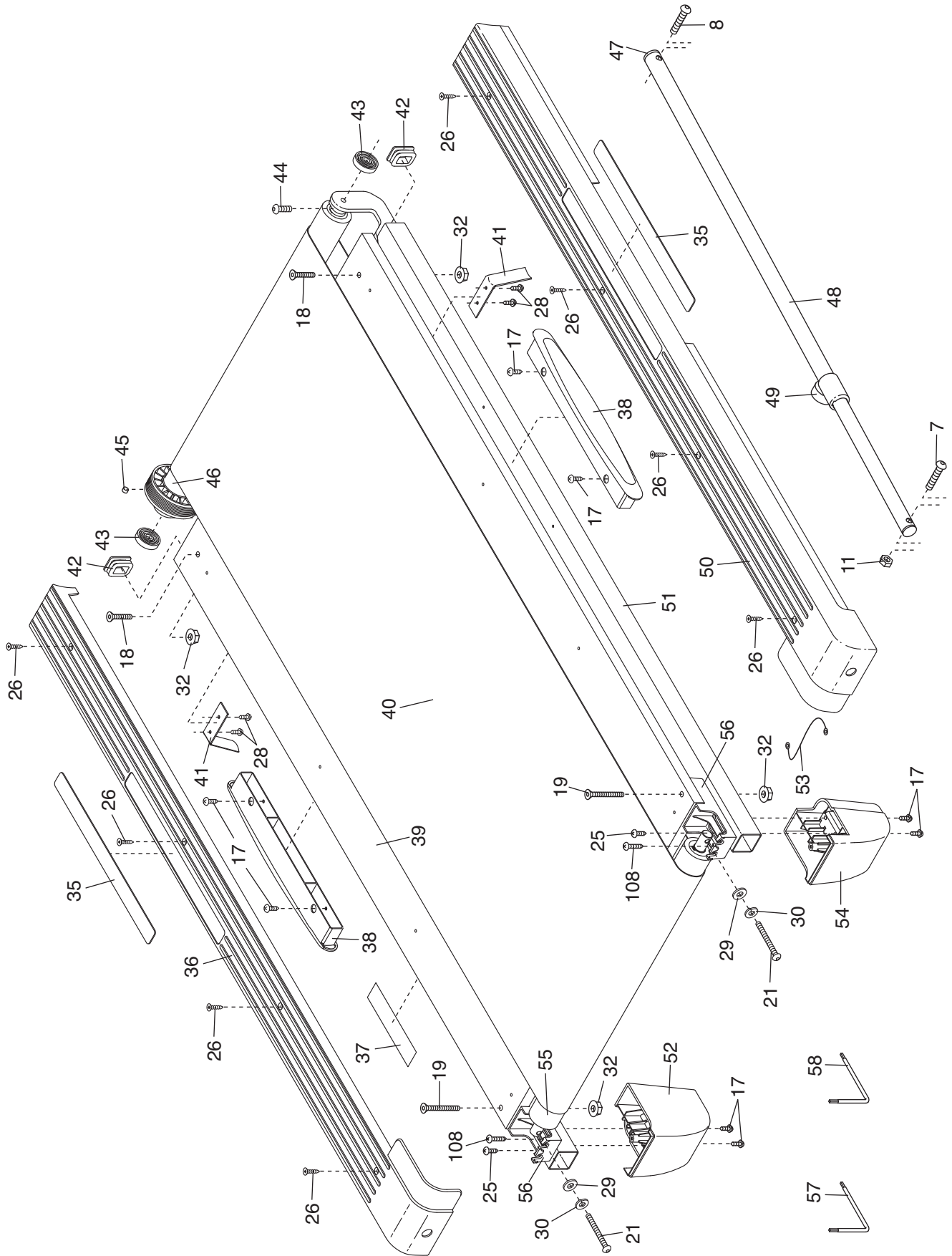


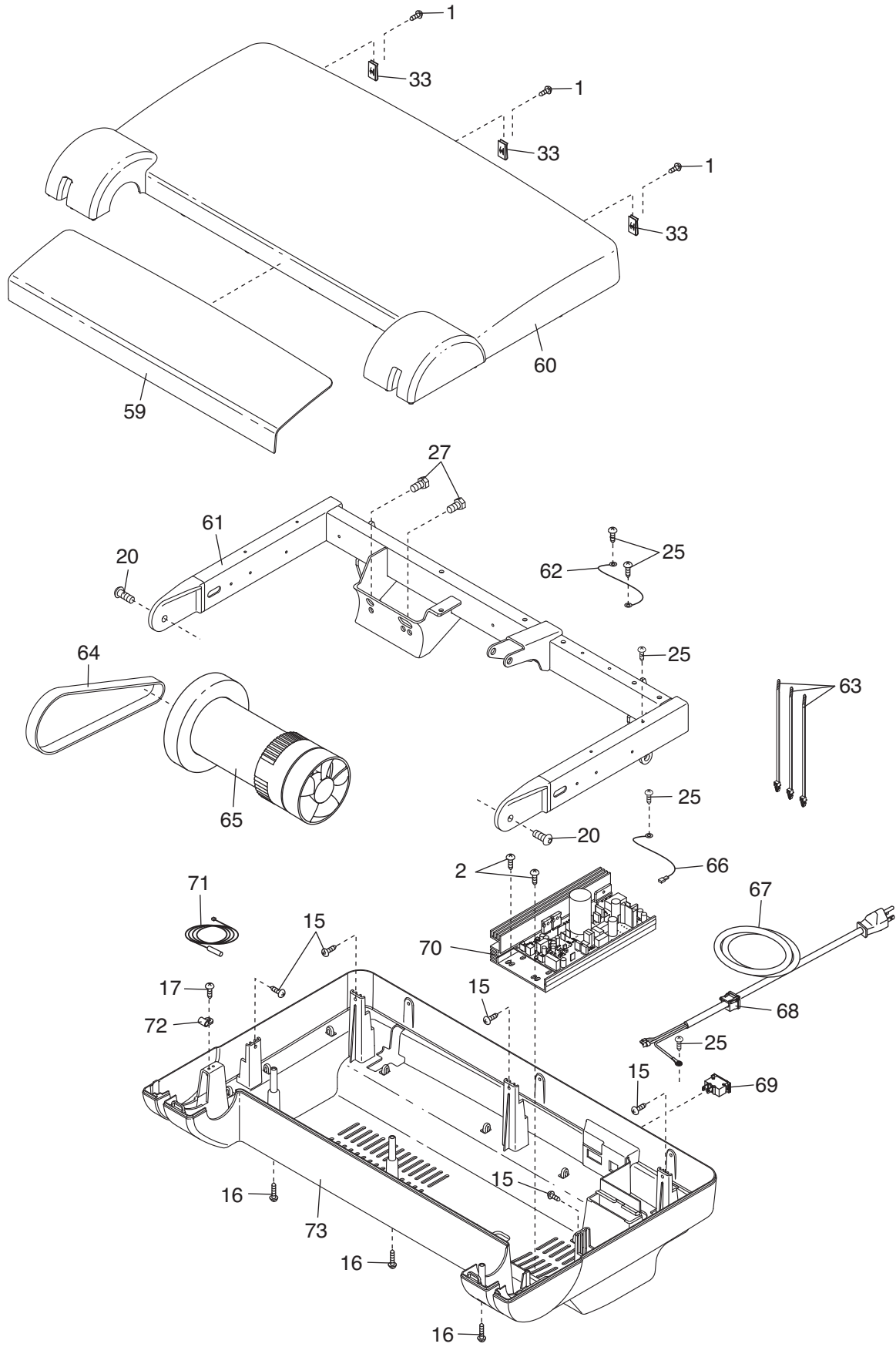
EXPLODED DRAWING A—Model No. 831.24855.6

R0409A



EXPLODED DRAWING B—Model No. 831.24855.6

R0409A



EXPLODED DRAWING D—Model No. 831.24855.6

R0409A

