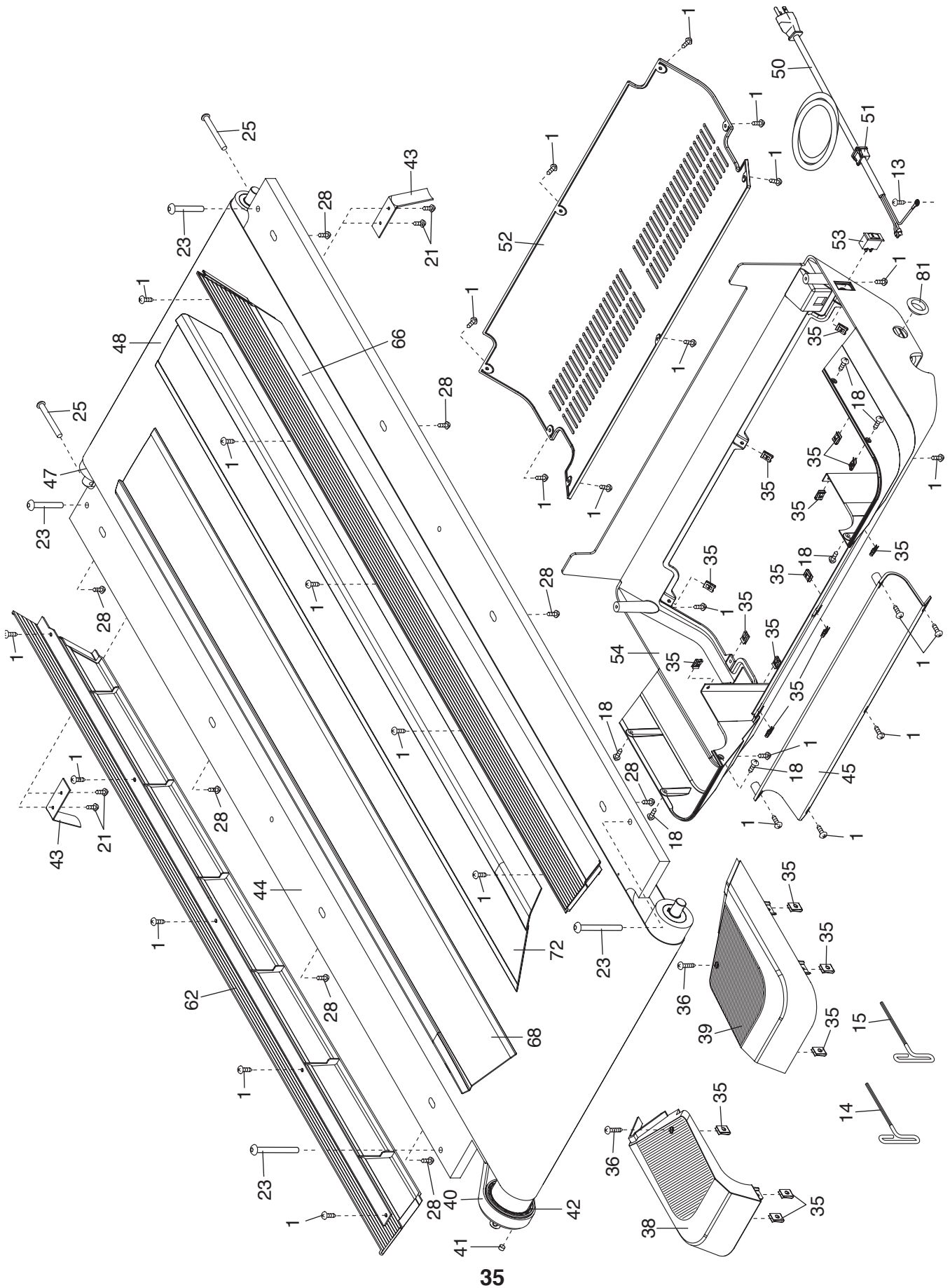


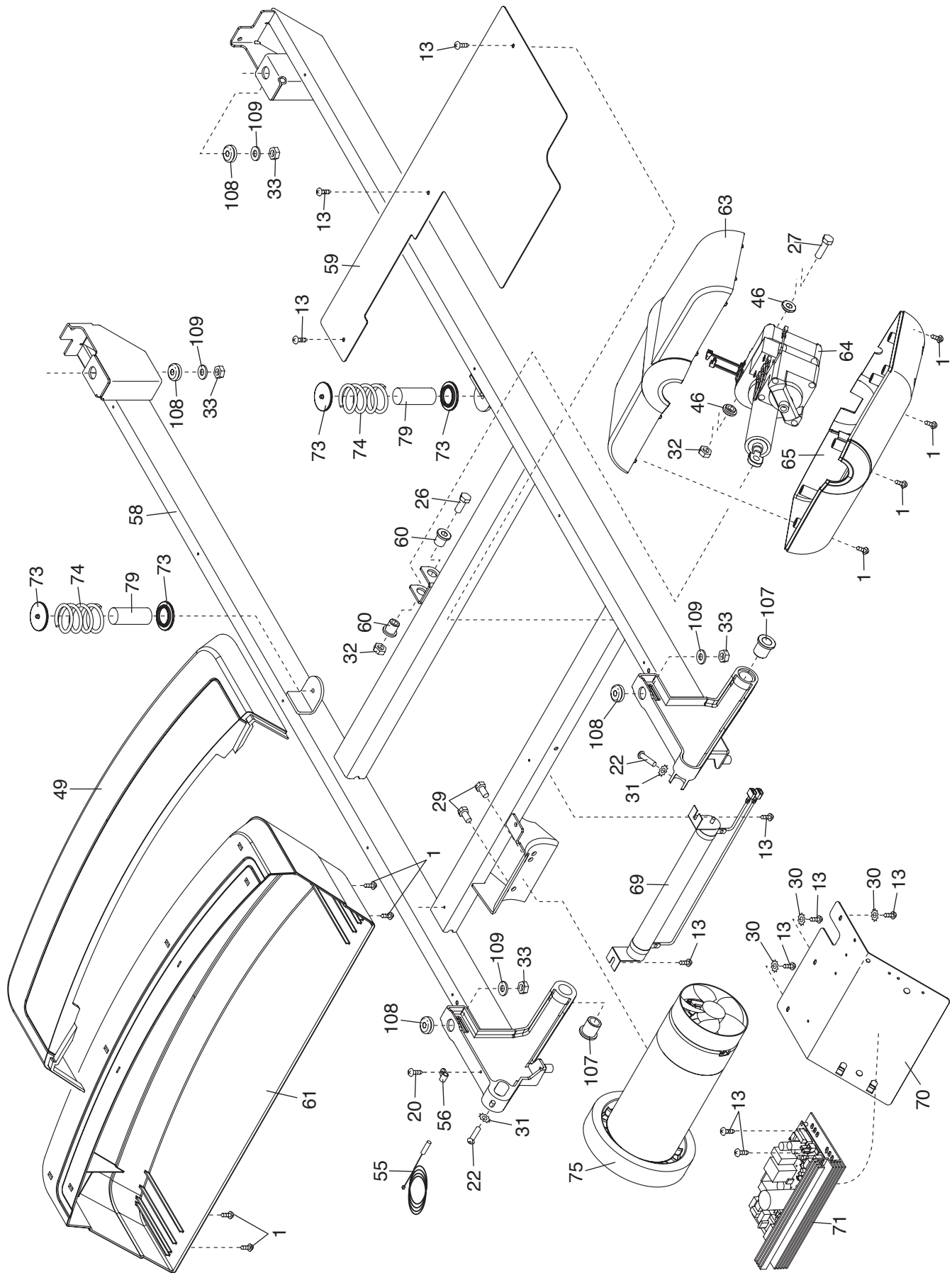
EXPLODED DRAWING A

Model No. NTL19010.0 R0911B



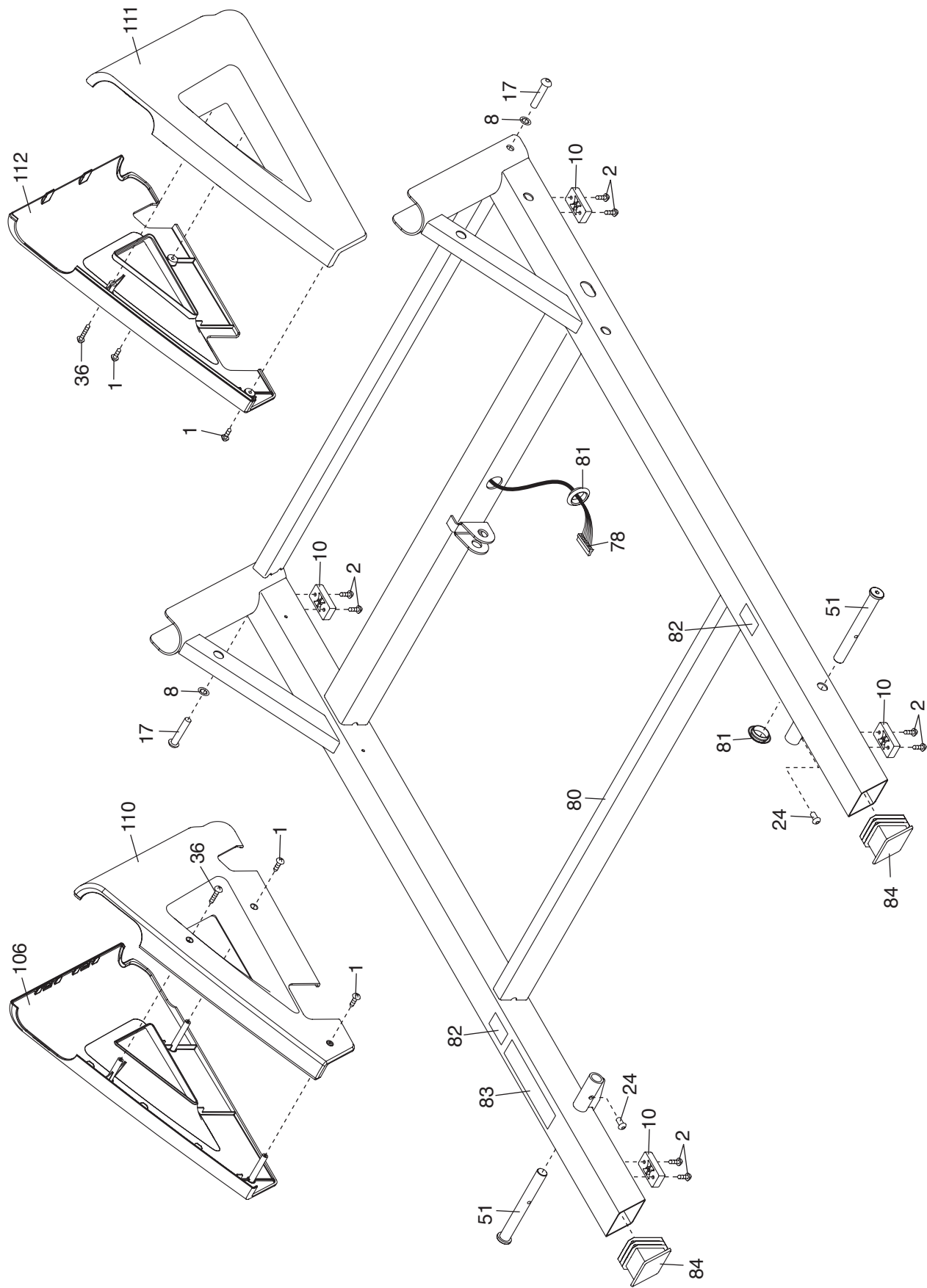
EXPLODED DRAWING B

Model No. NTL19010.0 R0911B



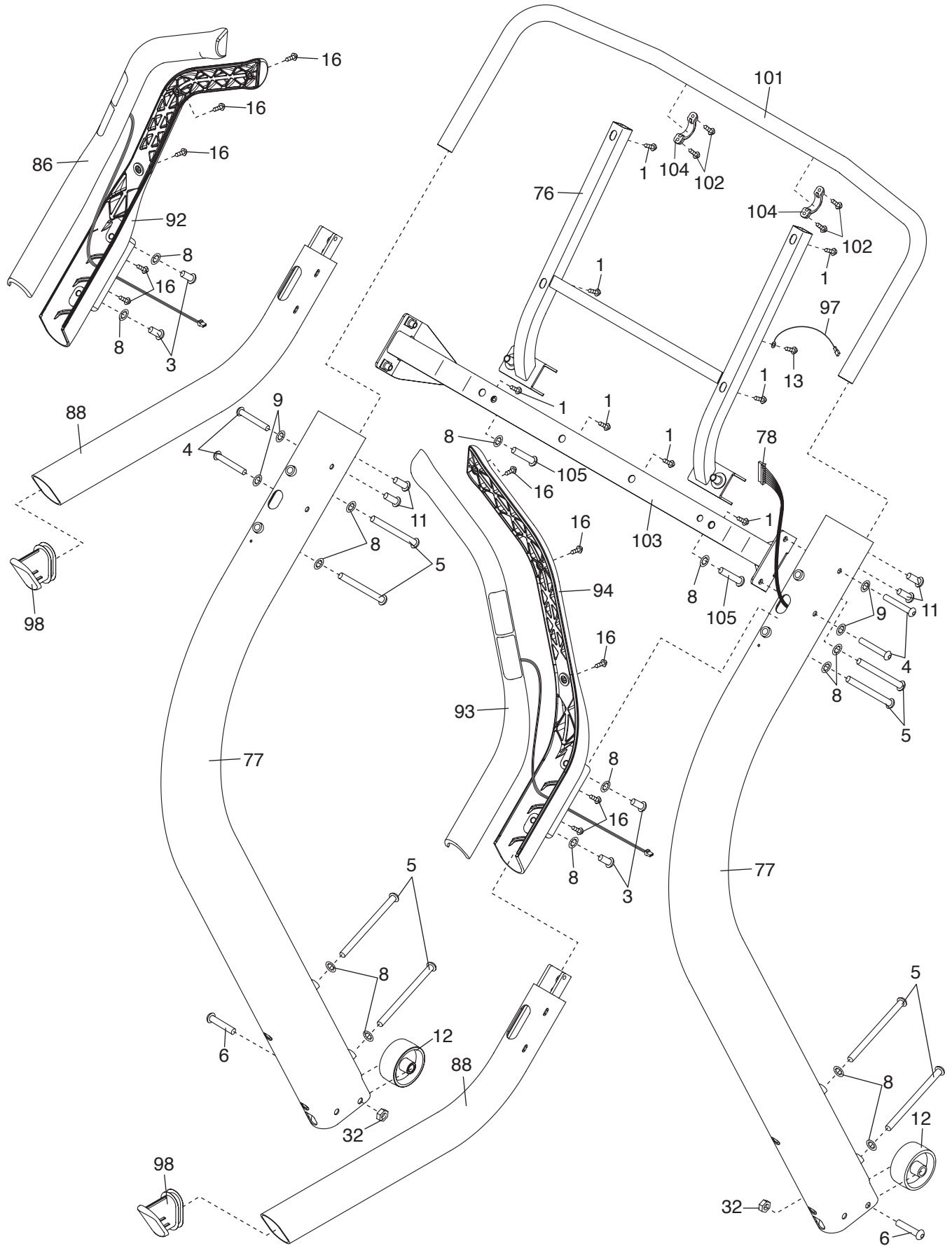
EXPLODED DRAWING C

Model No. NTL19010.0 R0911B



EXPLODED DRAWING D

Model No. NTL19010.0 R0911B



EXPLODED DRAWING E

Model No. NTL19010.0 R0911B

