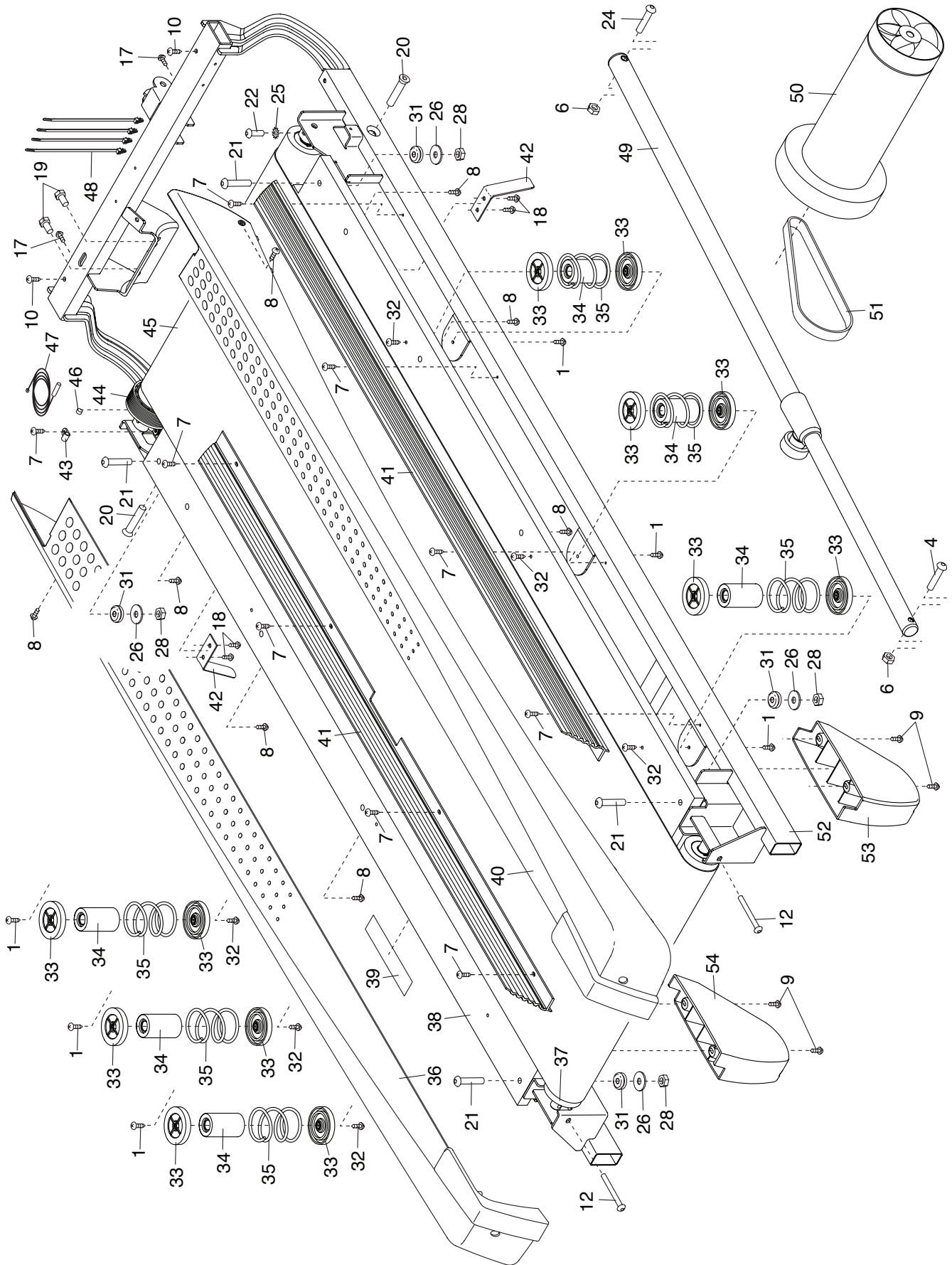


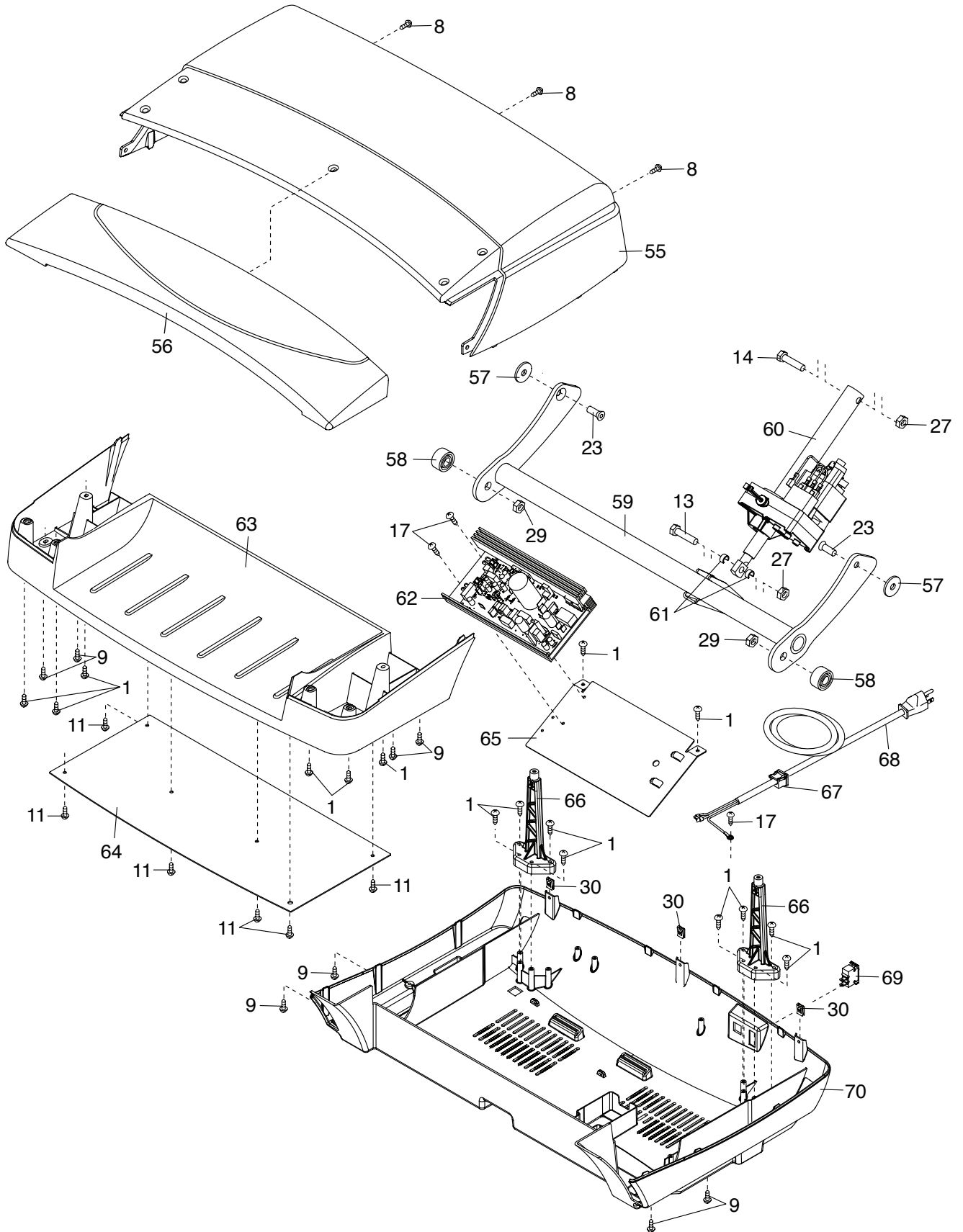
EXPLODED DRAWING A

Model No. 831.24922.0 R1212A



EXPLODED DRAWING B

Model No. 831.24922.0 R1212A



EXPLODED DRAWING D

Model No. 831.24922.0 R1212A

