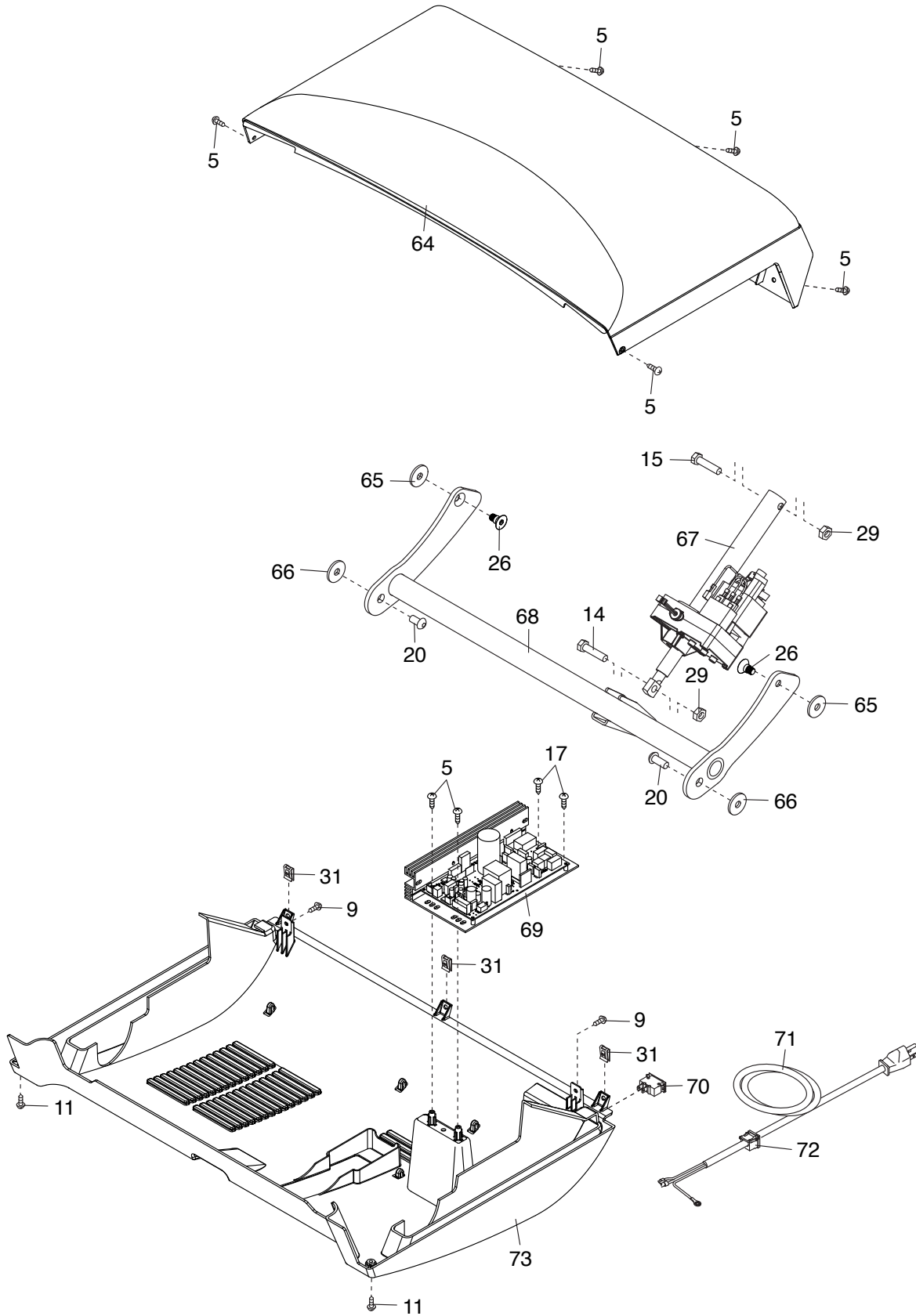


EXPLODED DRAWING B

Model No. 831.24924.0 R1012A



EXPLODED DRAWING C

Model No. 831.24924.0 R1012A

