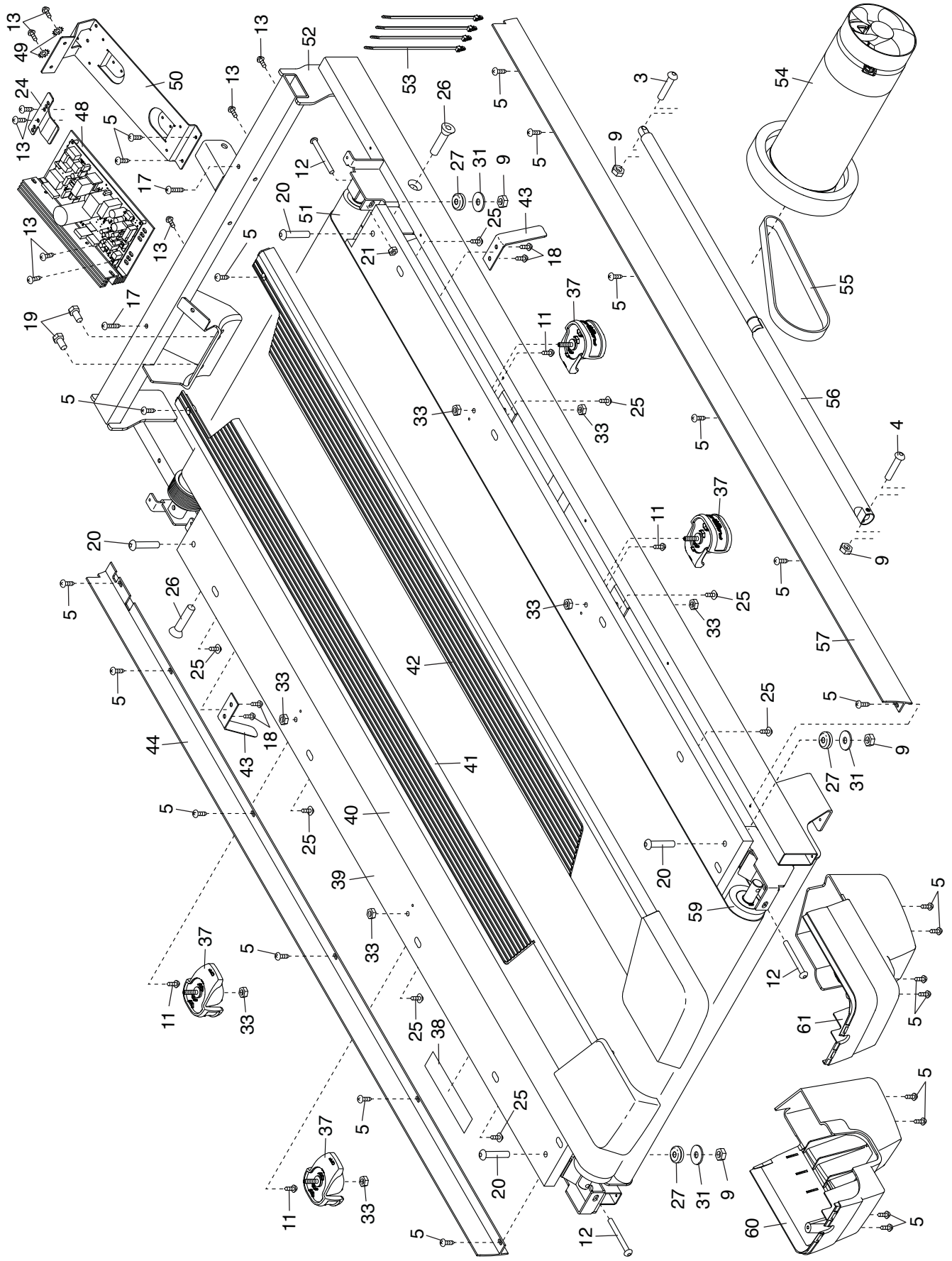


EXPLODED DRAWING A

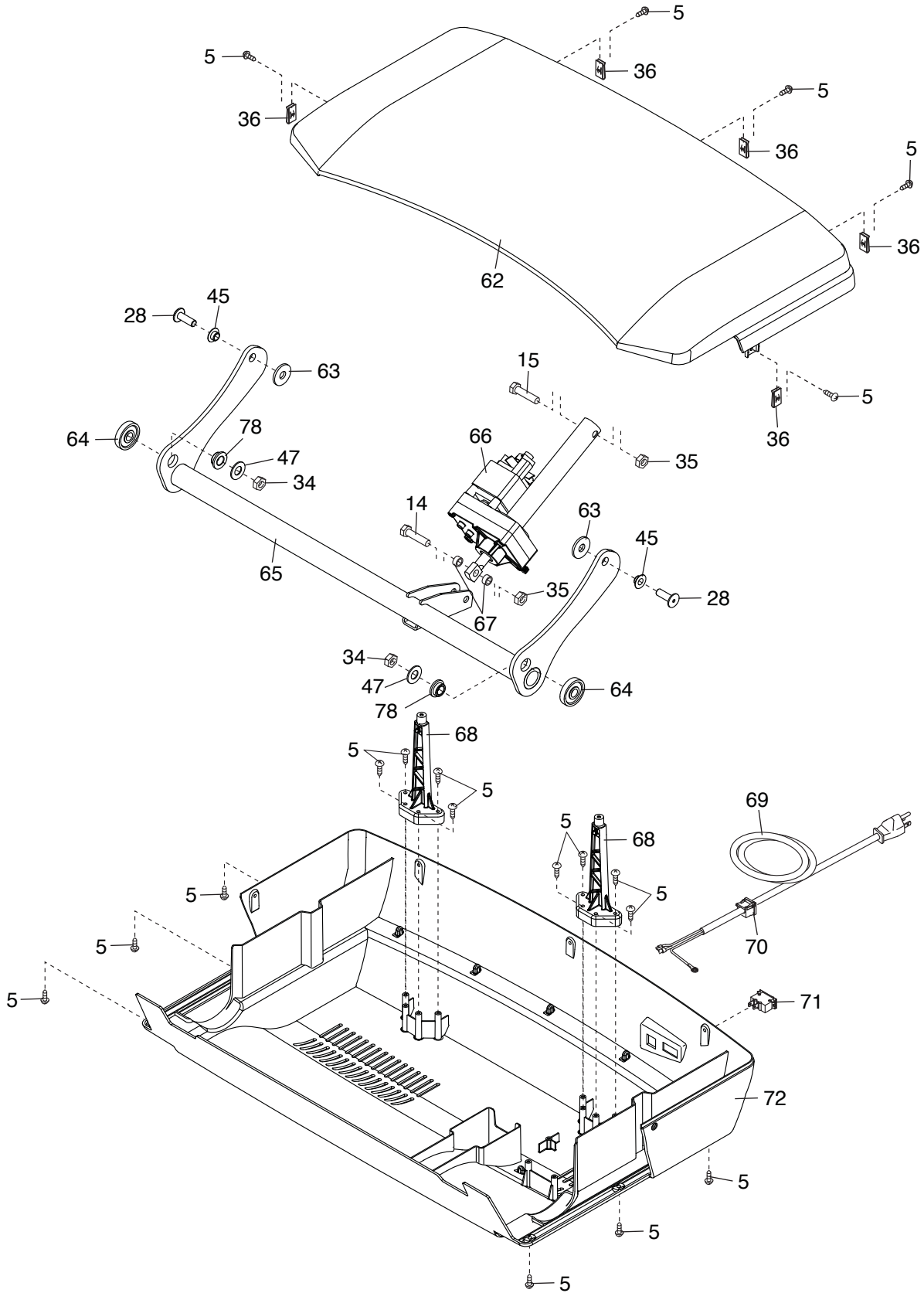
Model No. 831.24932.5 R0915A



36

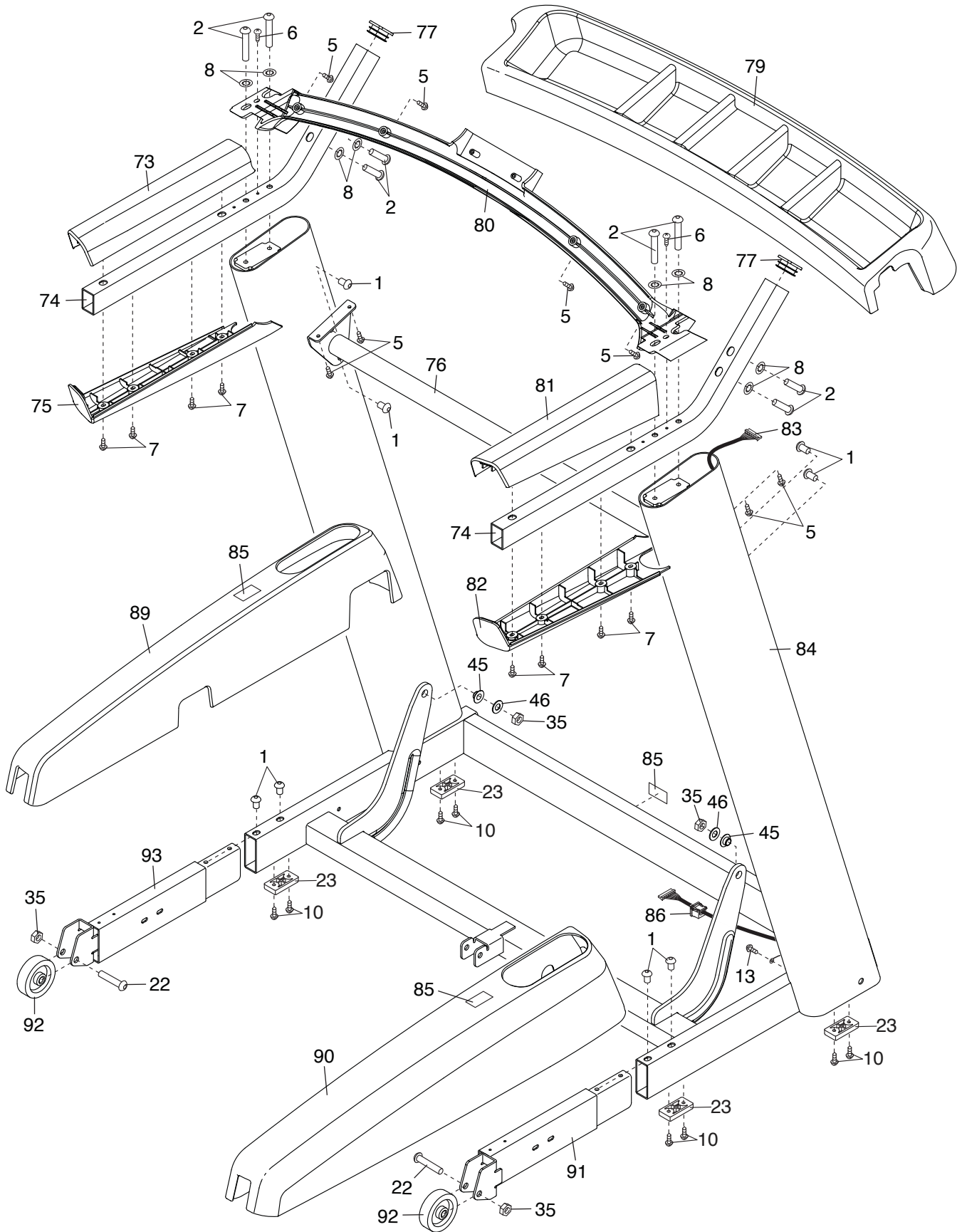
EXPLODED DRAWING B

Model No. 831.24932.5 R0915A



EXPLODED DRAWING C

Model No. 831.24932.5 R0915A



EXPLODED DRAWING D

Model No. 831.24932.5 R0915A

