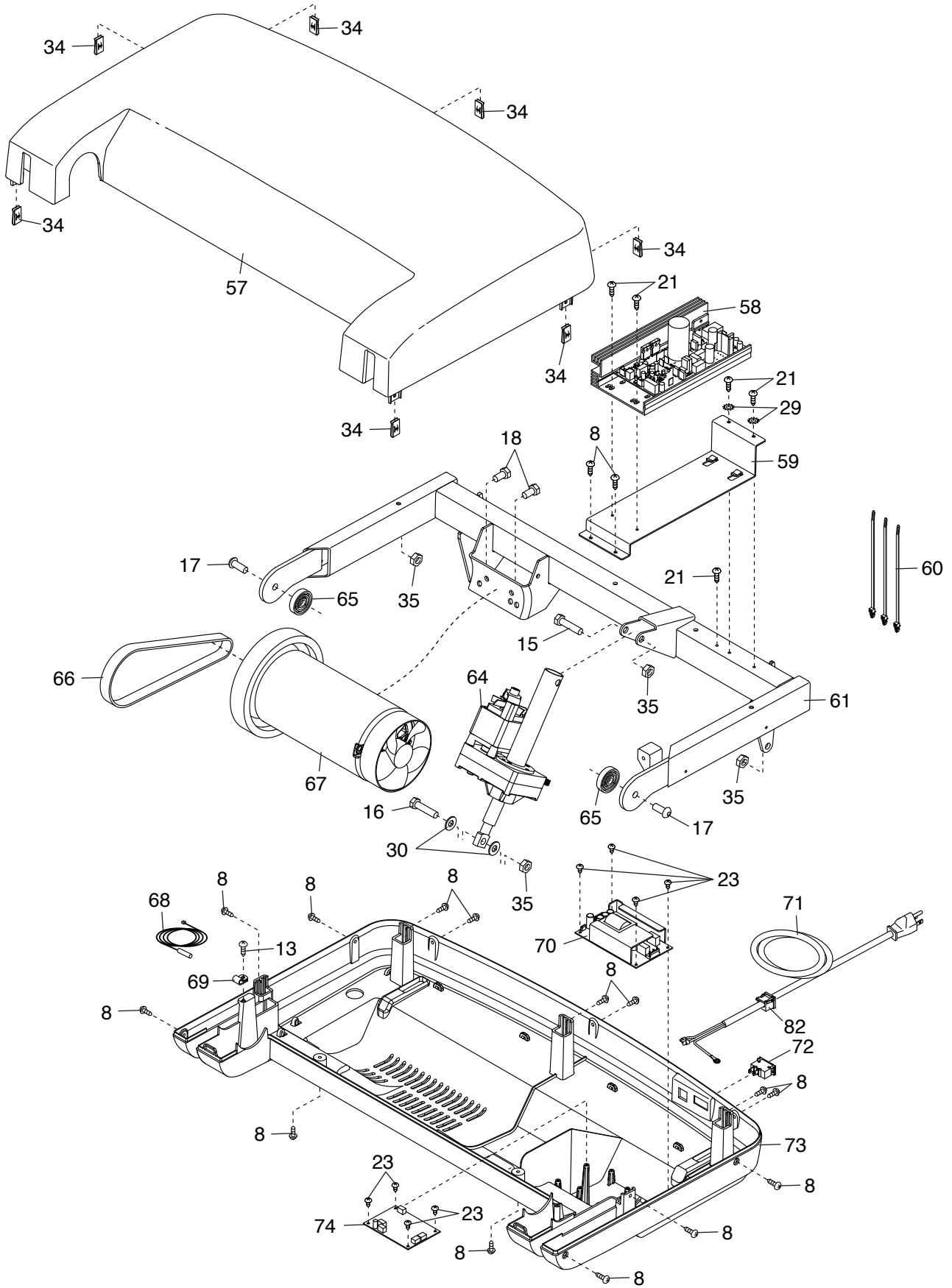




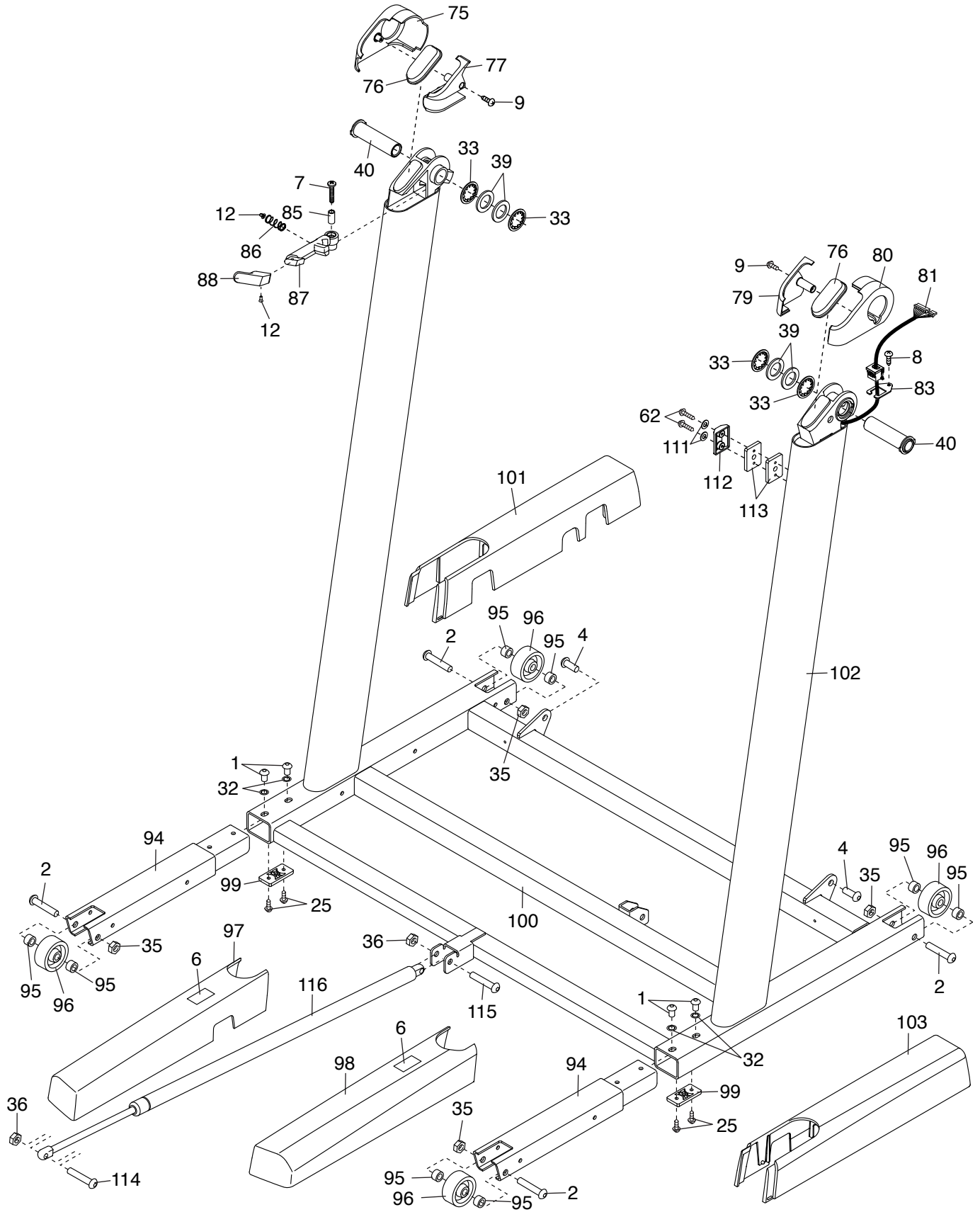
# EXPLODED DRAWING B

Model No. 831.24941.0 R0914A



# EXPLODED DRAWING C

Model No. 831.24941.0 R0914A





# EXPLODED DRAWING E

Model No. 831.24941.0 R0914A

