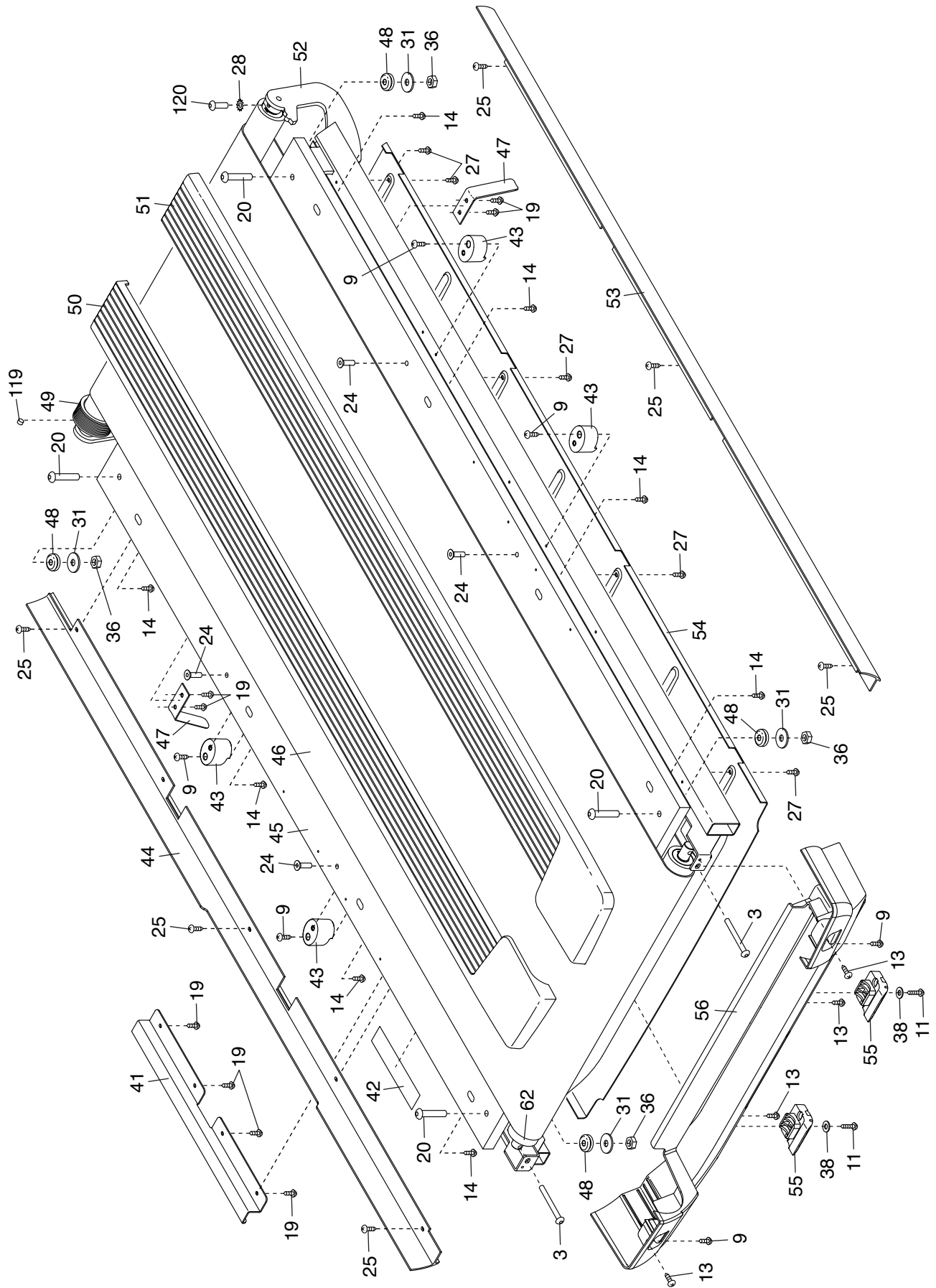


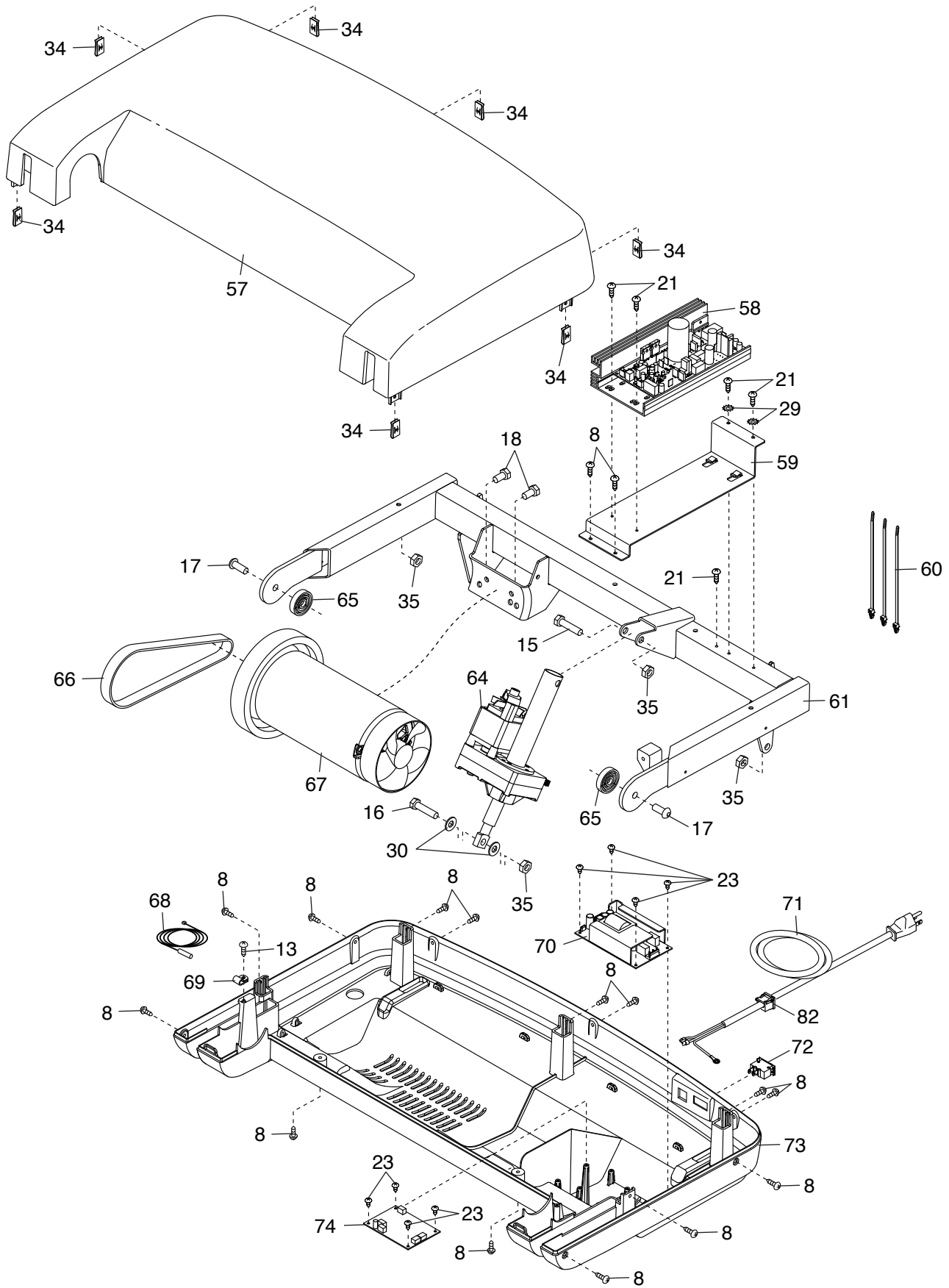
EXPLODED DRAWING A

Model No. 831.24942.0 R0914A



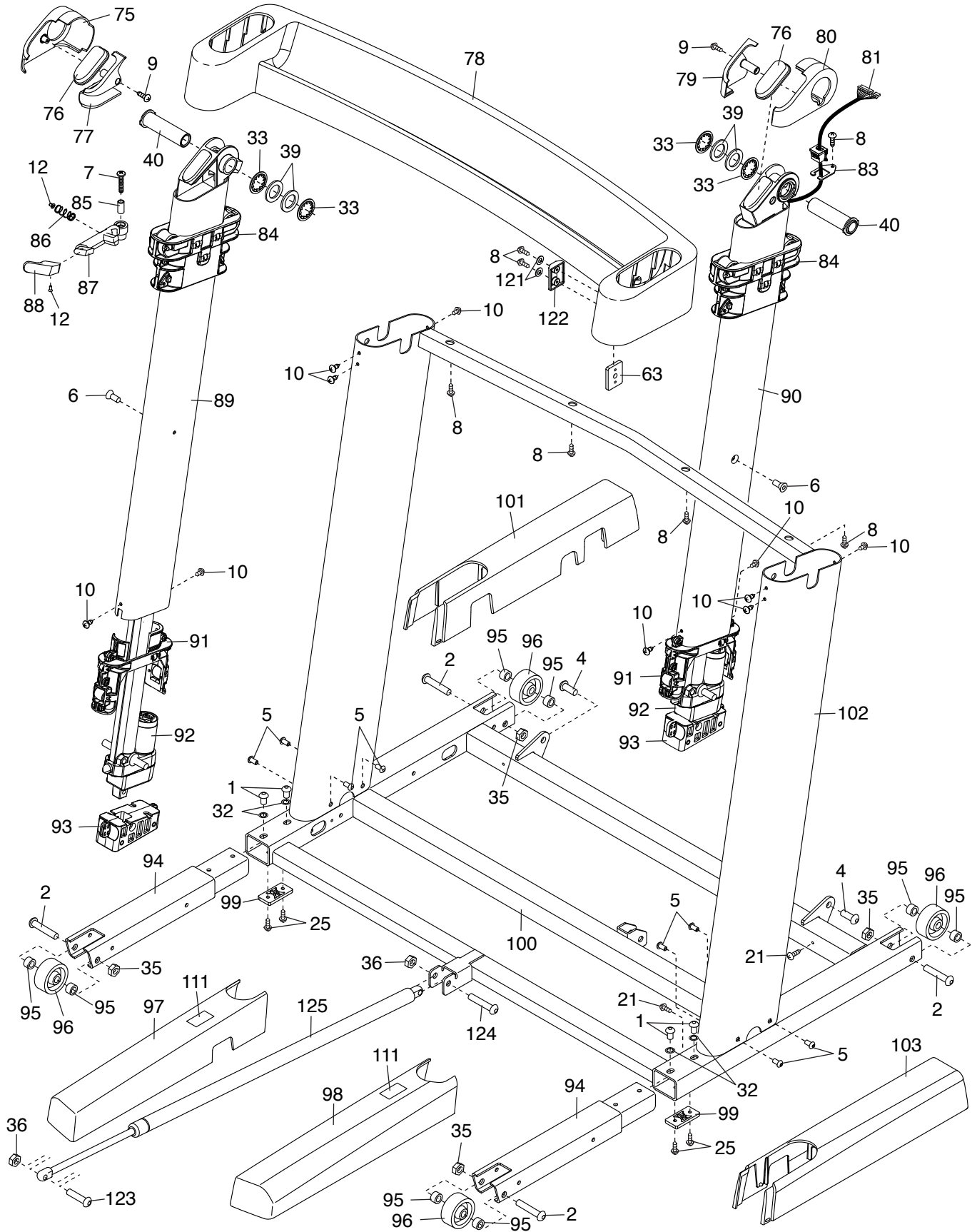
EXPLODED DRAWING B

Model No. 831.24942.0 R0914A



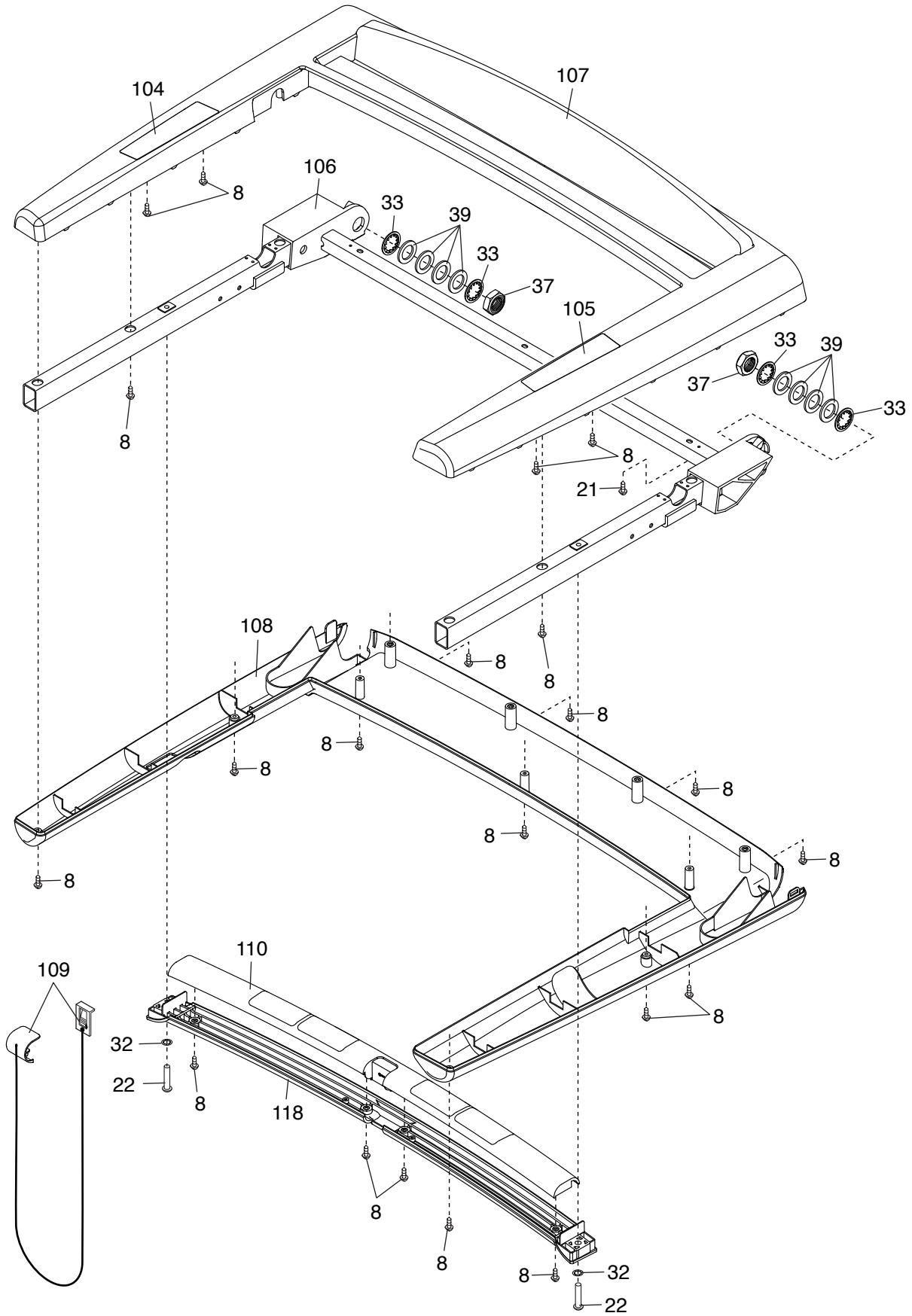
EXPLODED DRAWING C

Model No. 831.24942.0 R0914A



EXPLODED DRAWING D

Model No. 831.24942.0 R0914A



EXPLODED DRAWING E

Model No. 831.24942.0 R0914A

