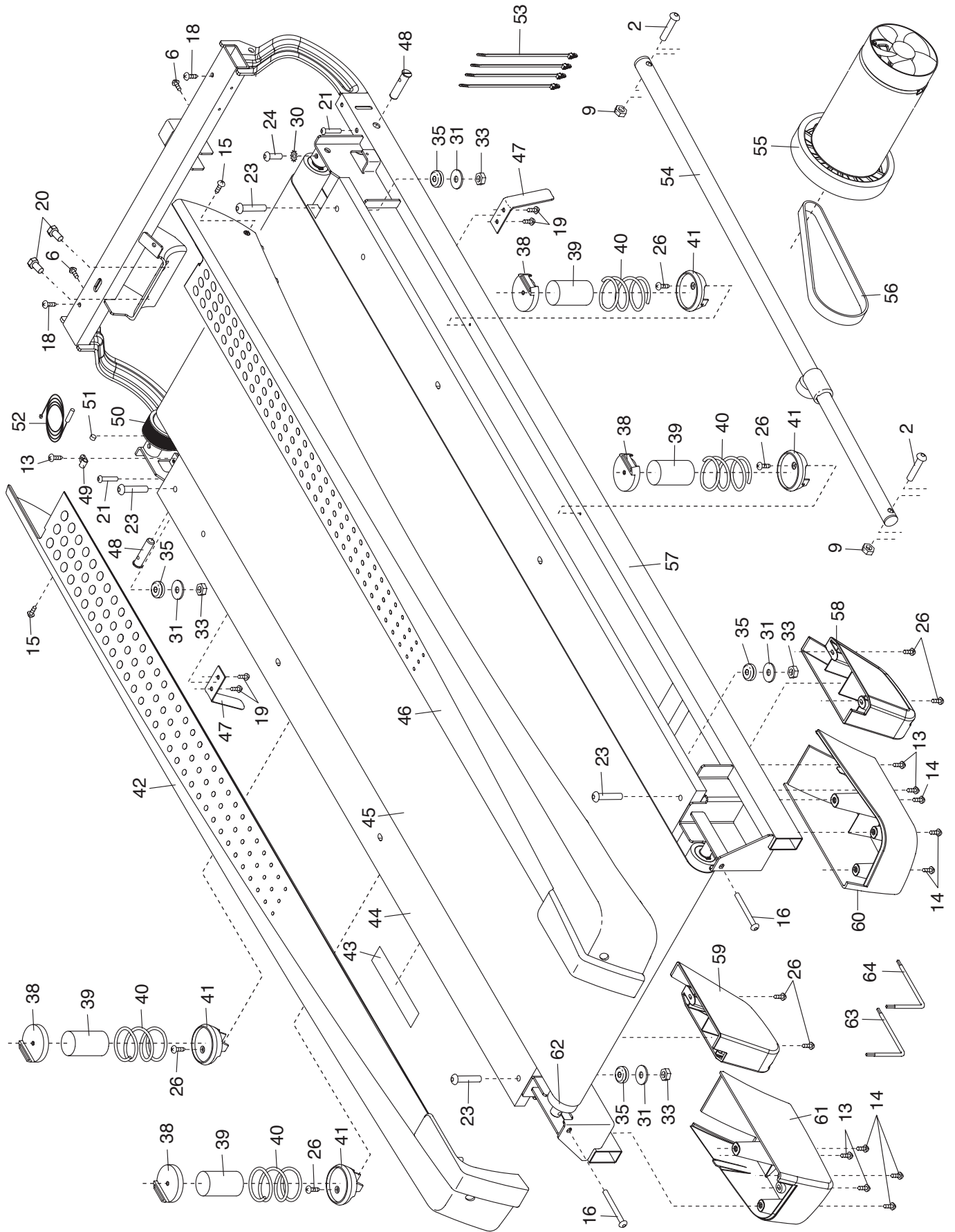


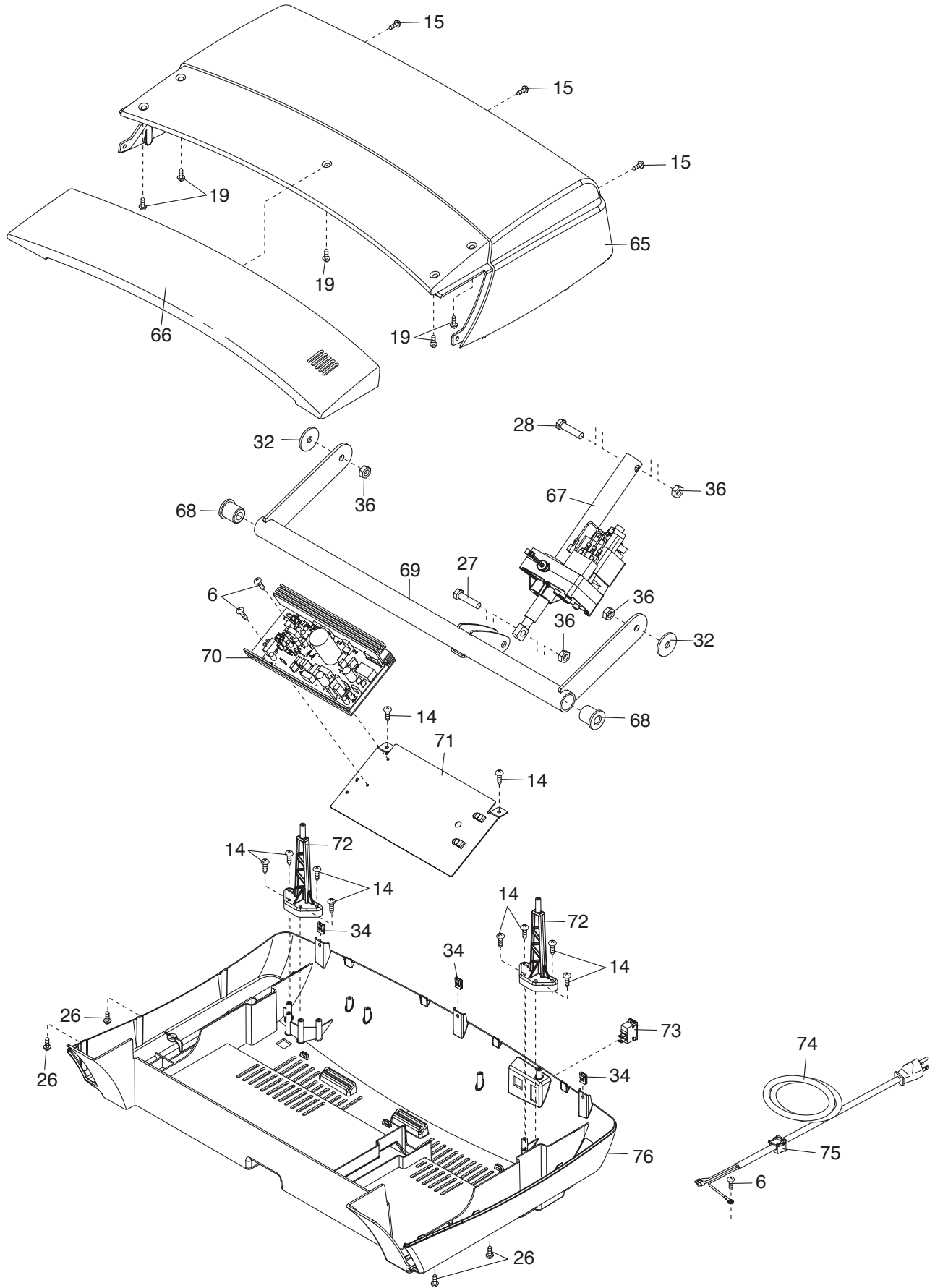
# EXPLODED DRAWING A

Model No. NTL79011.1 R0212A



# EXPLODED DRAWING B

Model No. NTL79011.1 R0212A





# EXPLODED DRAWING D

Model No. NTL79011.1 R0212A

