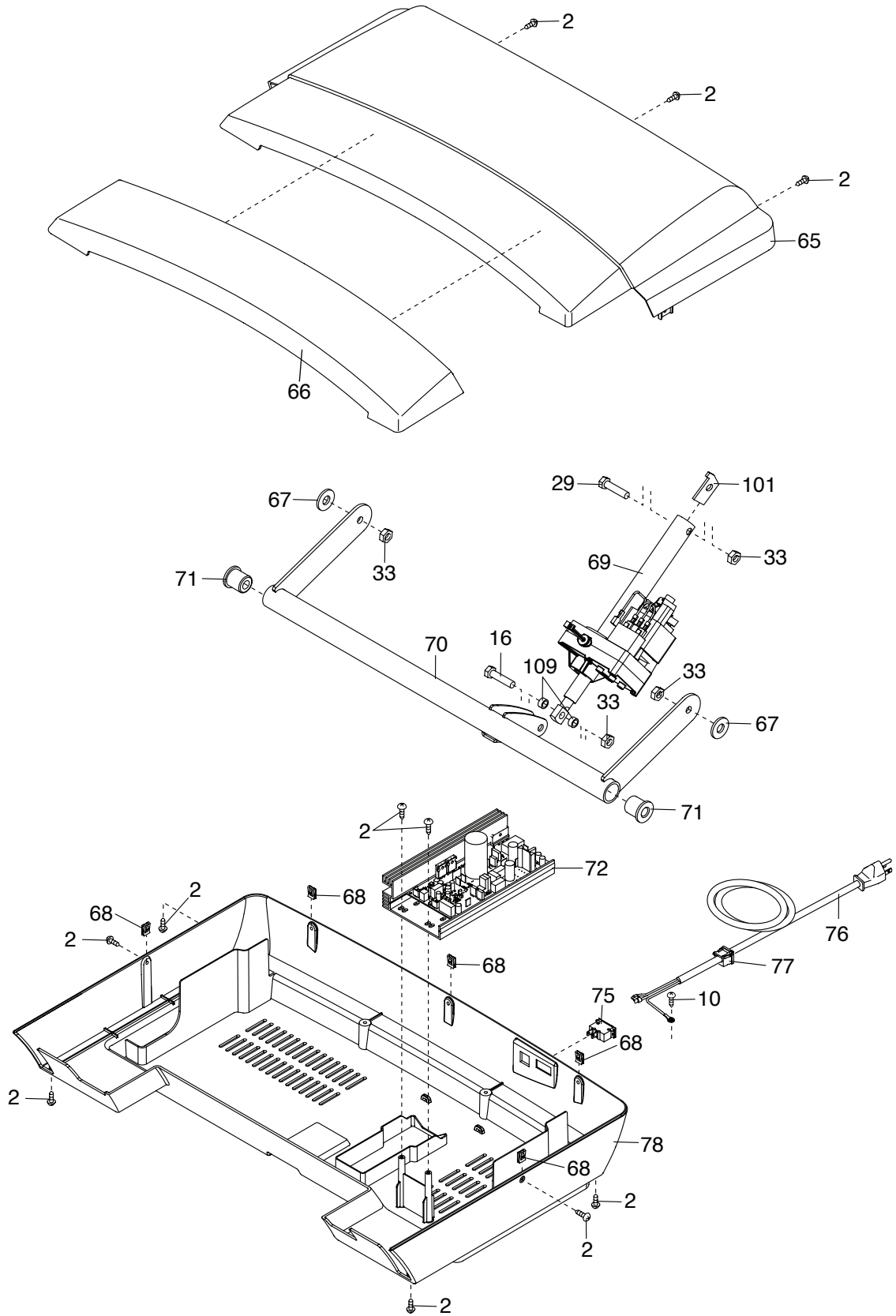




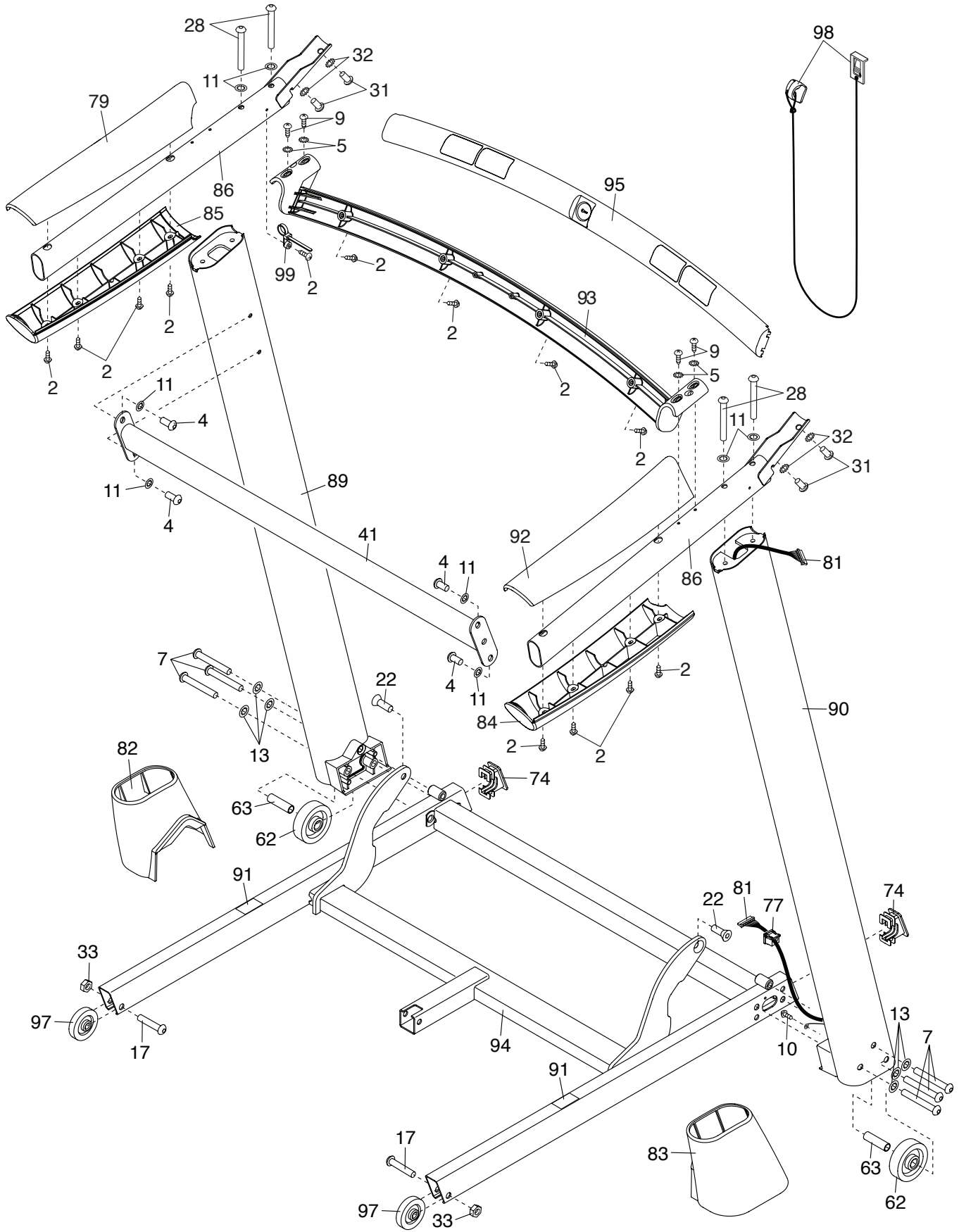
# EXPLODED DRAWING B

Model No. 831.24978.0 R0214A



# EXPLODED DRAWING C

Model No. 831.24978.0 R0214A



# EXPLODED DRAWING D

Model No. 831.24978.0 R0214A

