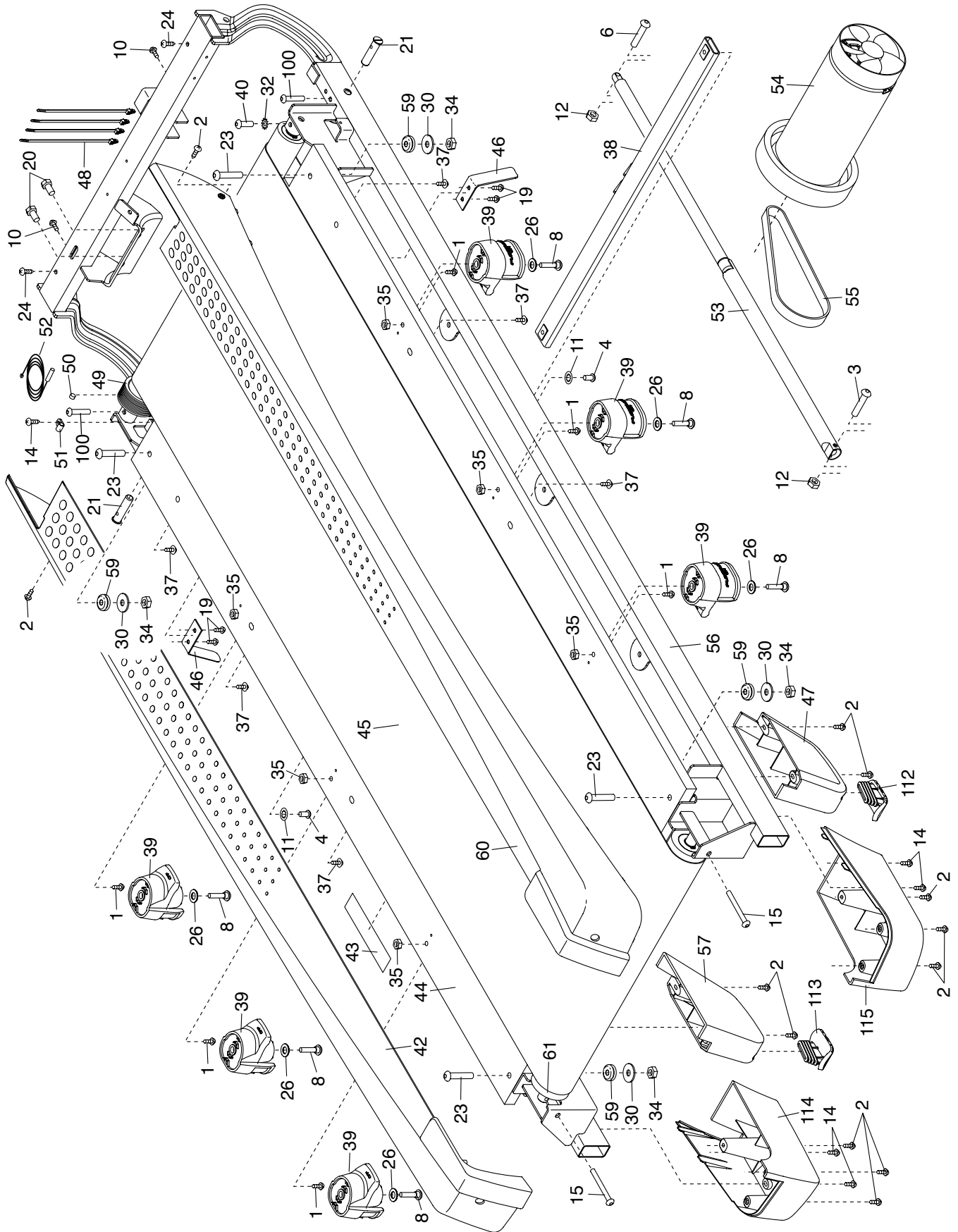


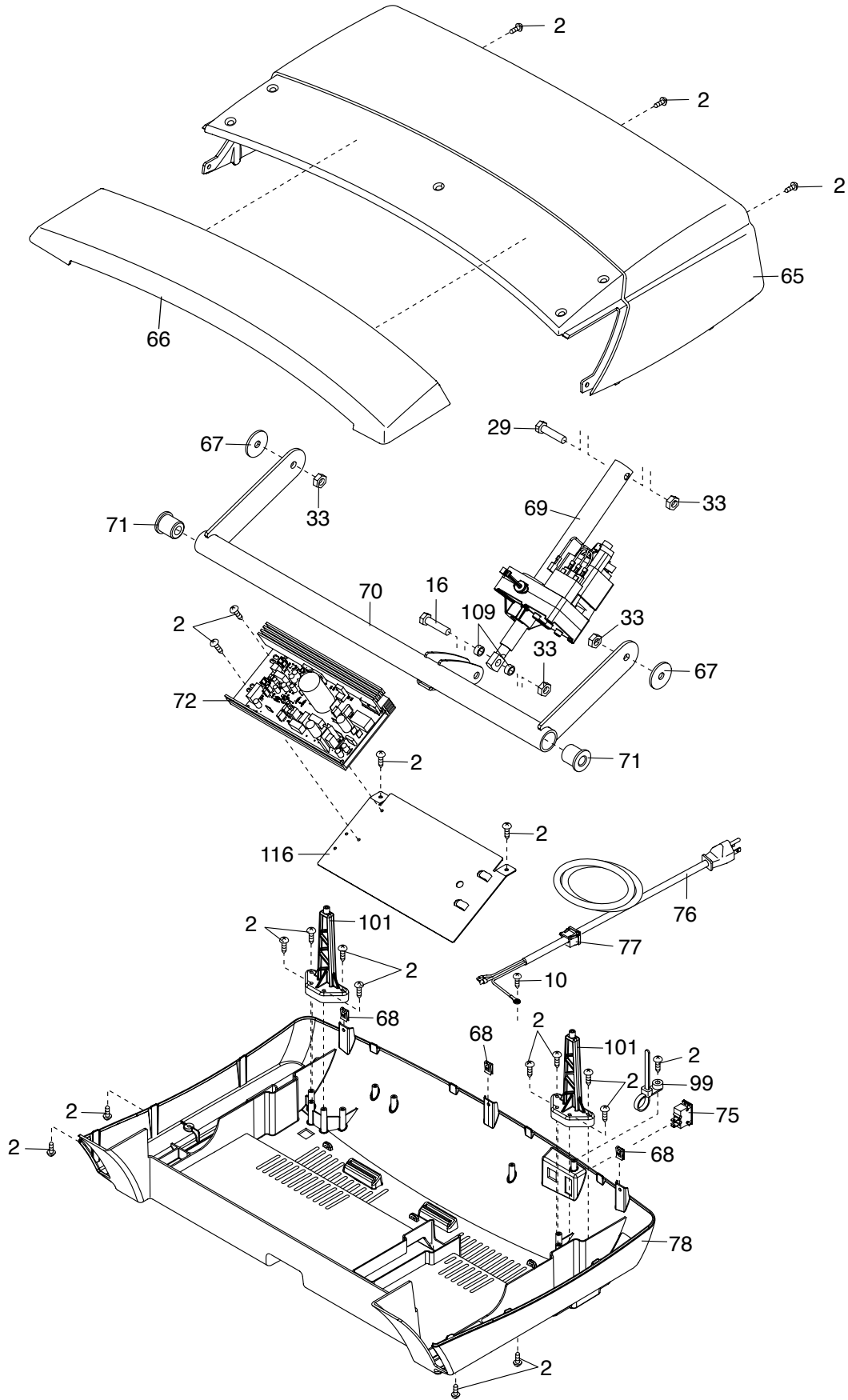
# EXPLODED DRAWING A

Model No. 831.24990.0 R1013A



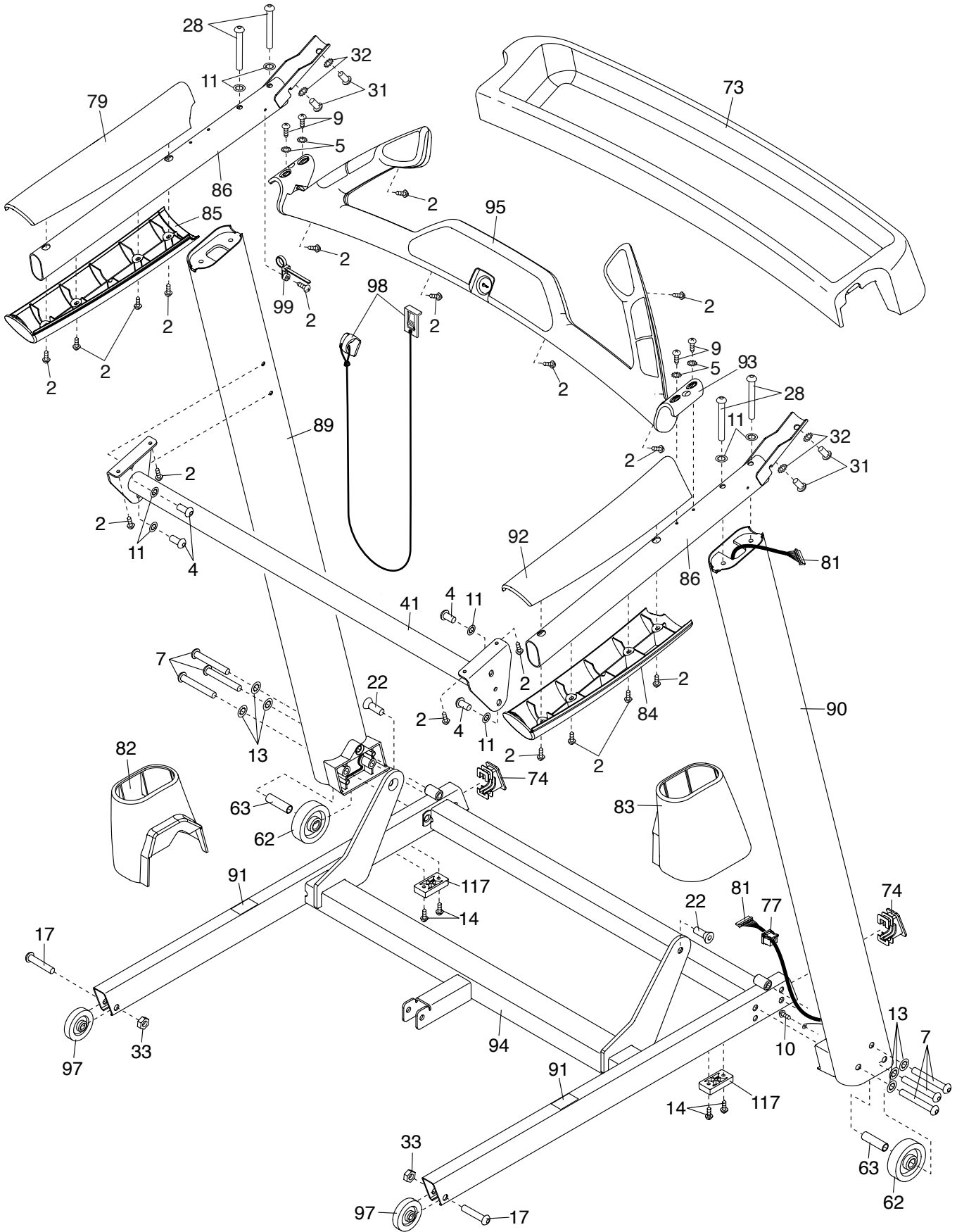
# EXPLODED DRAWING B

Model No. 831.24990.0 R1013A



# EXPLODED DRAWING C

Model No. 831.24990.0 R1013A



# EXPLODED DRAWING D

Model No. 831.24990.0 R1013A

