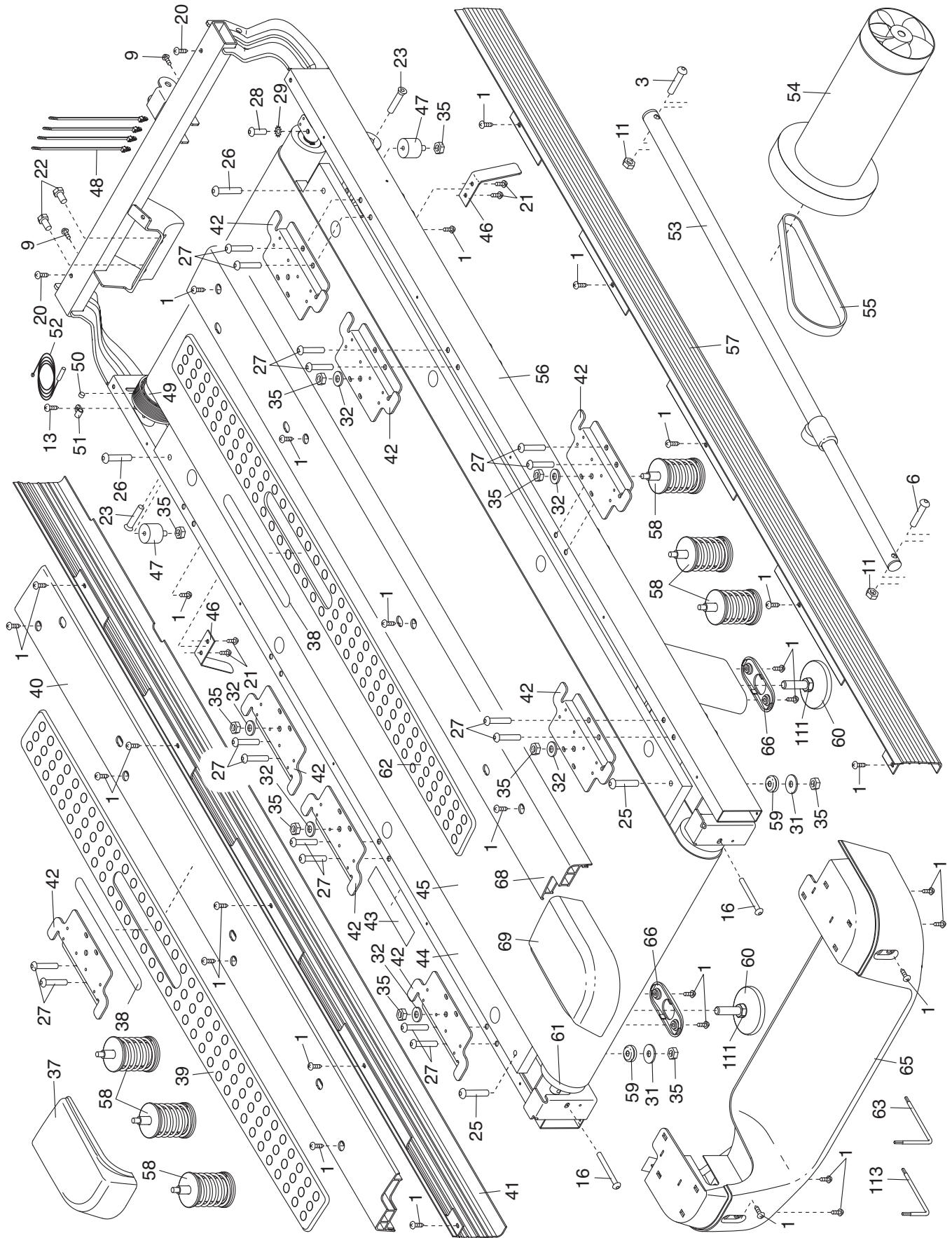


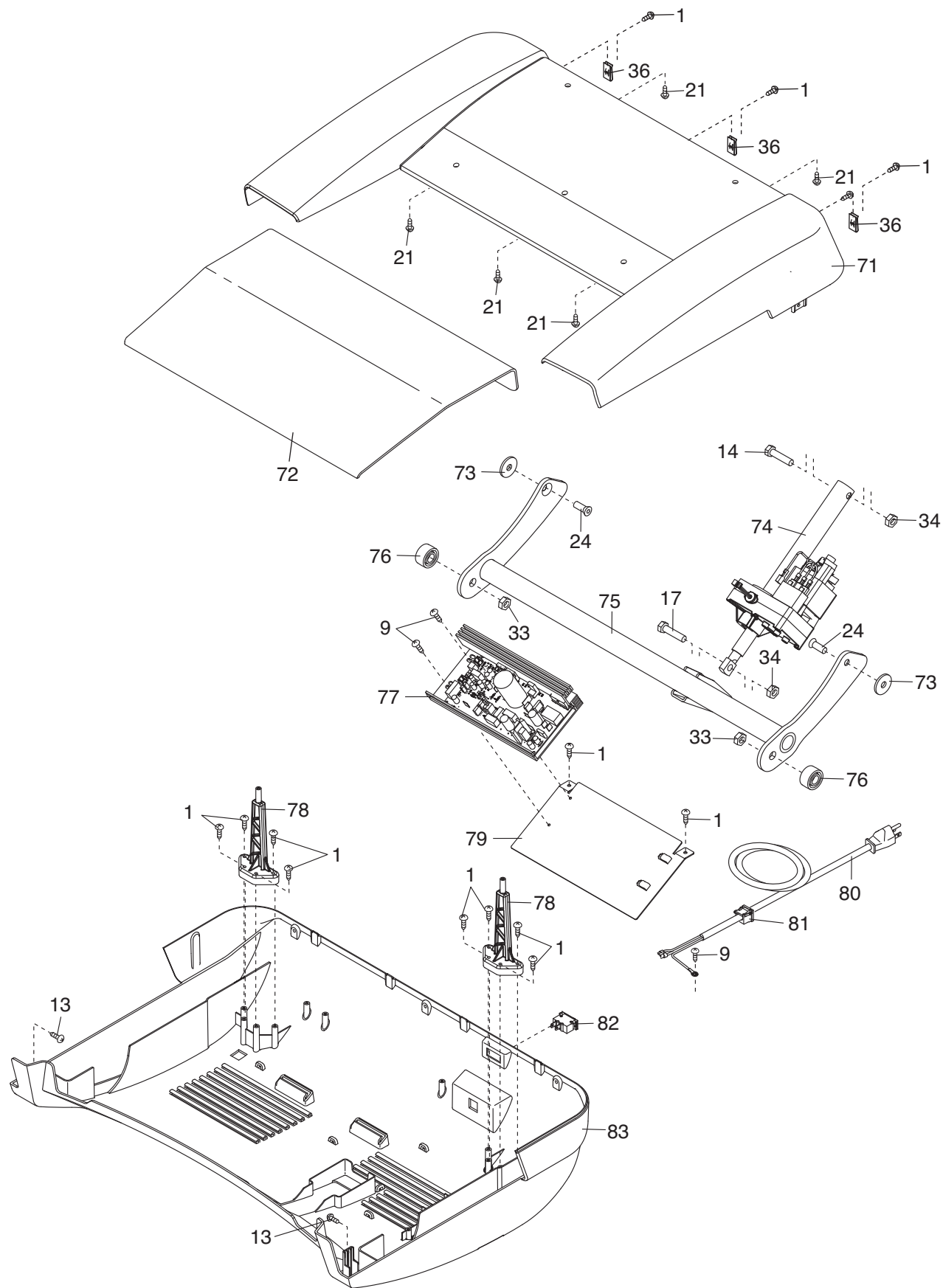
EXPLODED DRAWING A

Model No. 831.24992.4 R0511A



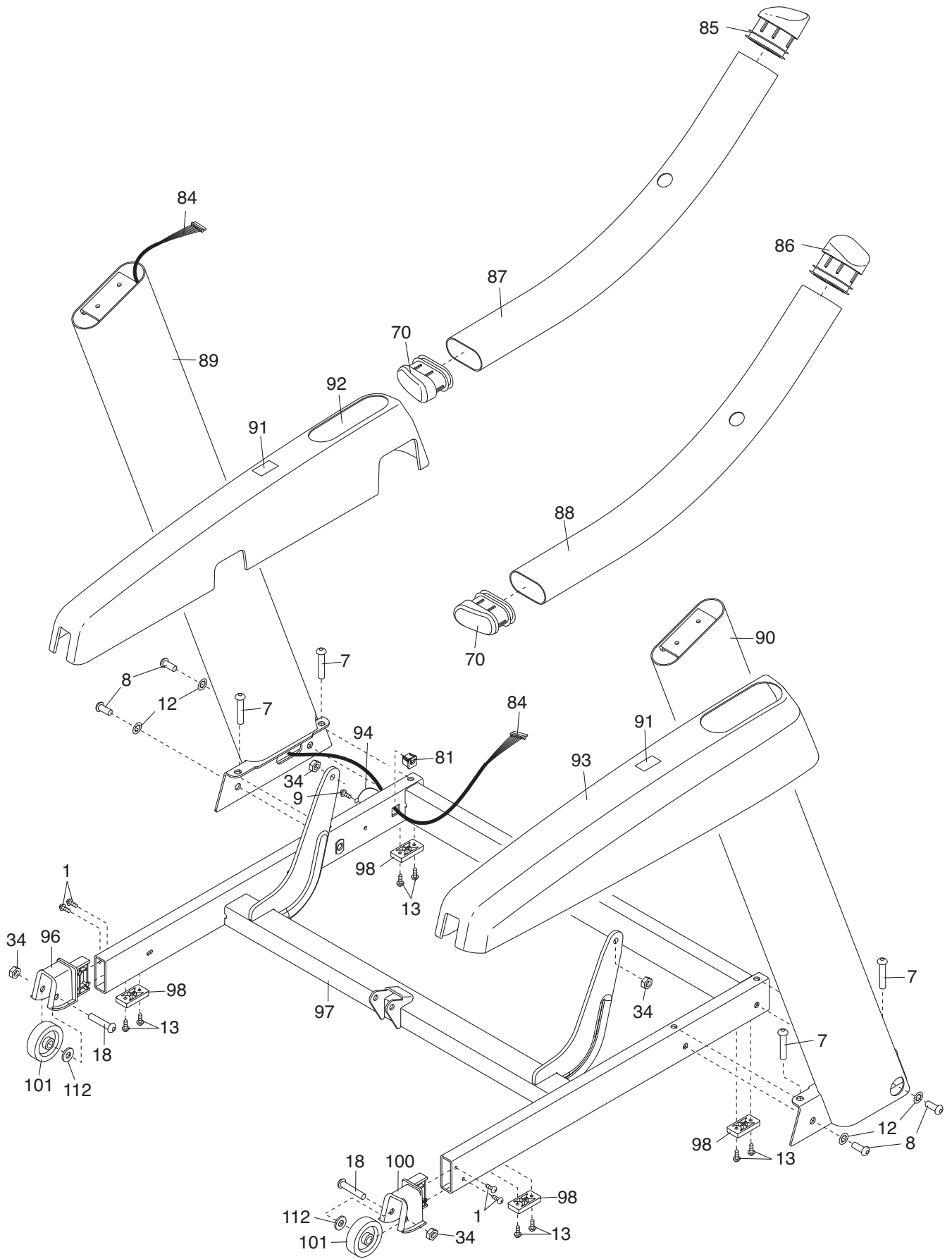
EXPLODED DRAWING B

Model No. 831.24992.4 R0511A



EXPLODED DRAWING C

Model No. 831.24992.4 R0511A



EXPLODED DRAWING D

Model No. 831.24992.4 R0511A

