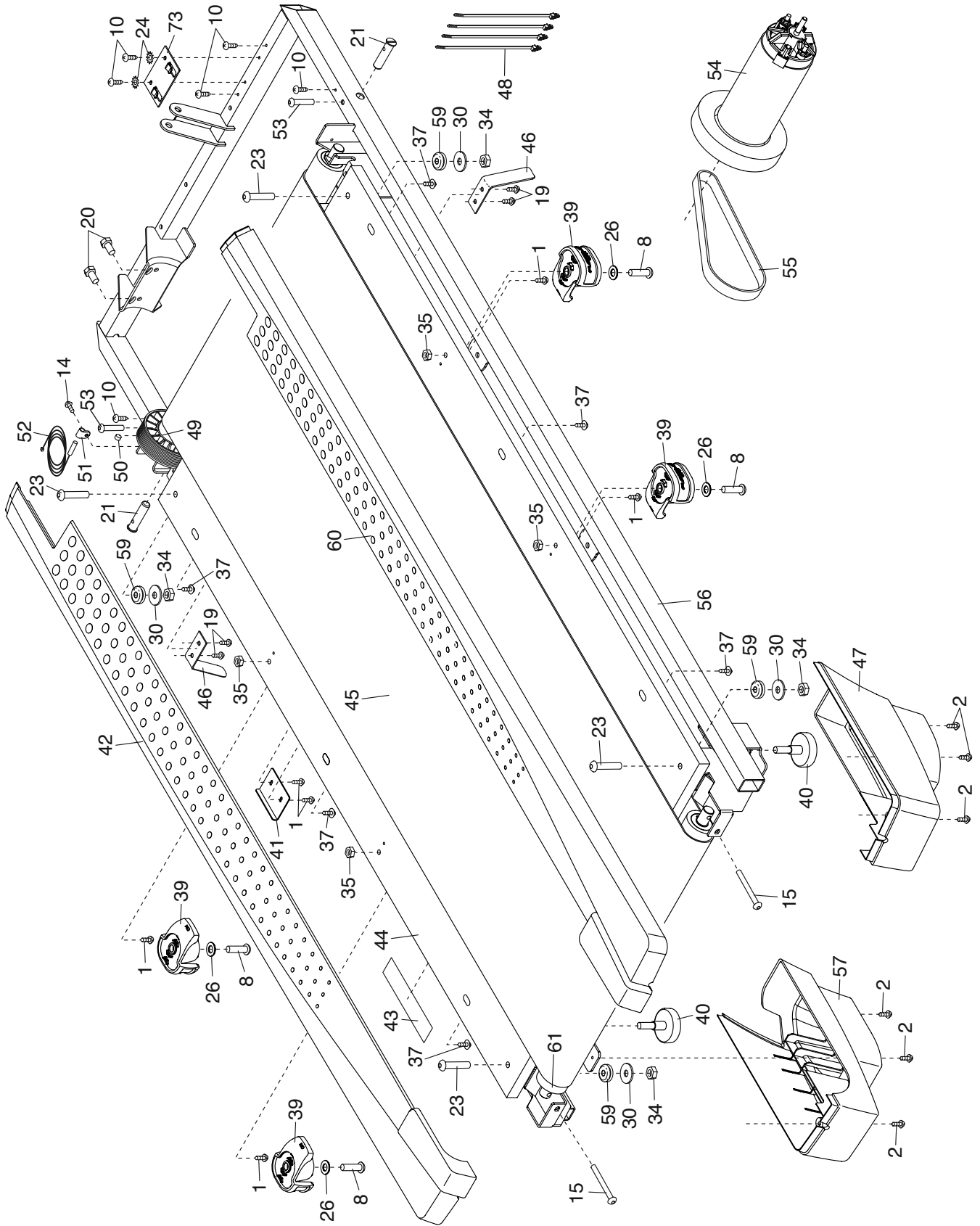


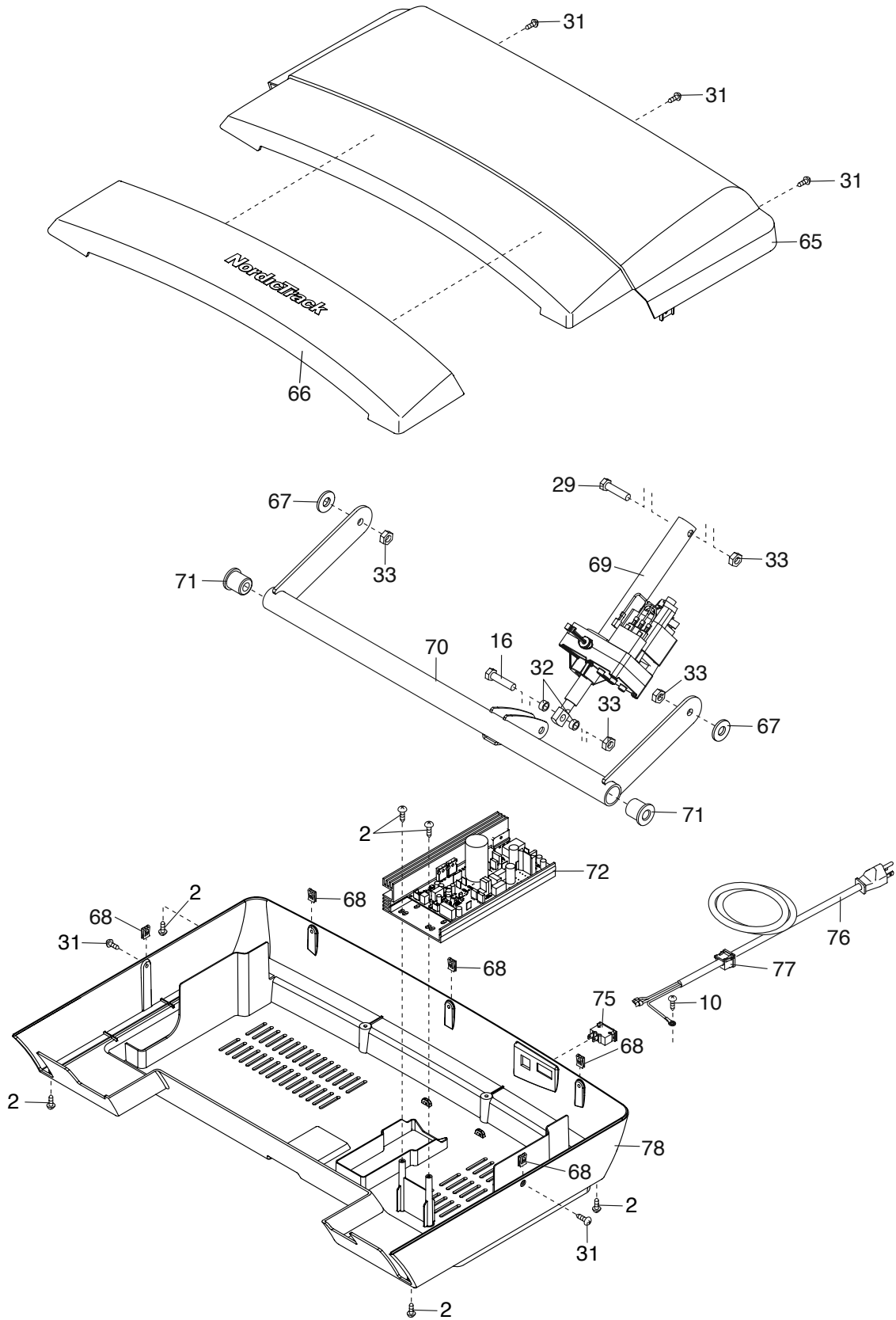
EXPLODED DRAWING A

Model No. 831.24996.0 R0813B



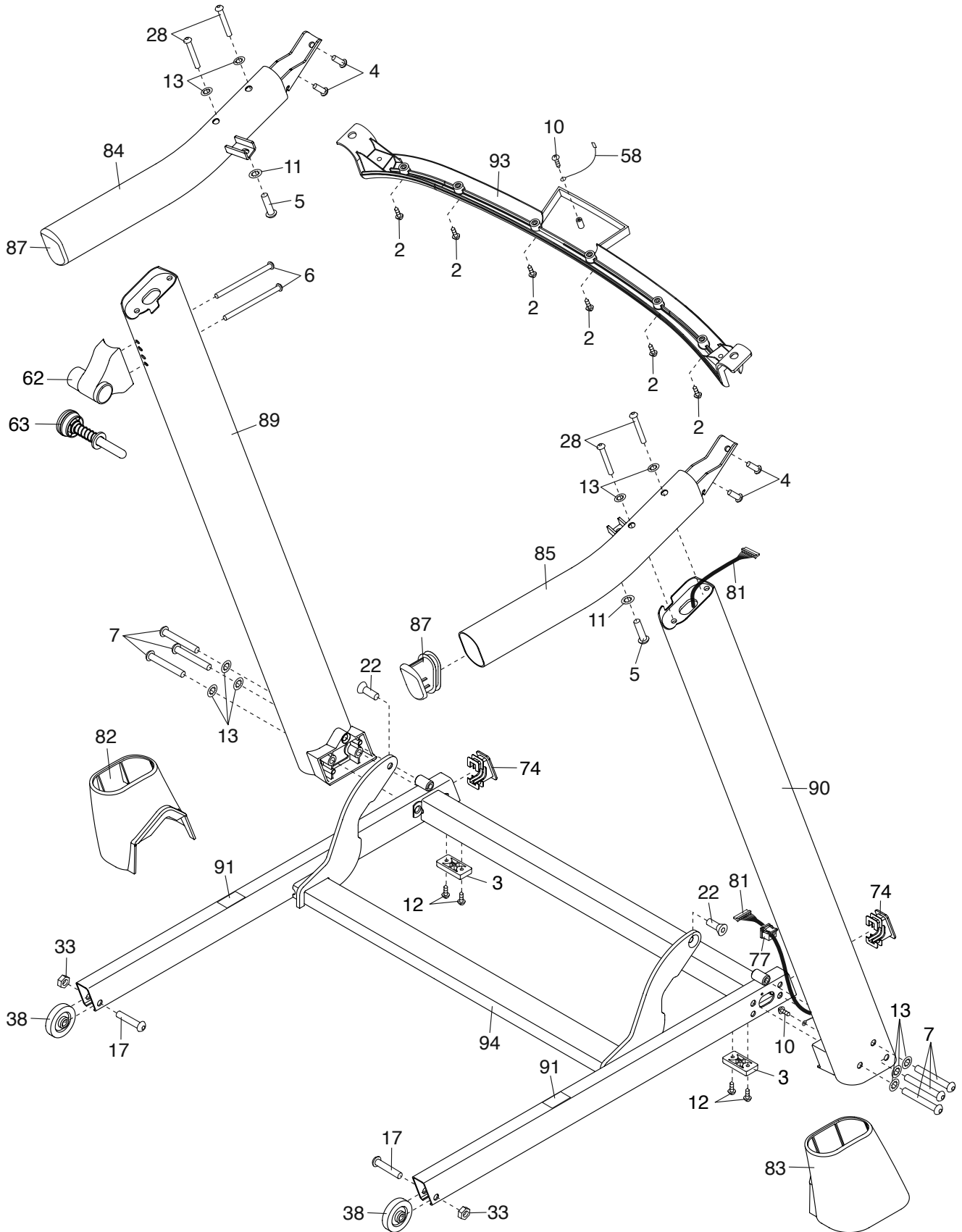
EXPLODED DRAWING B

Model No. 831.24996.0 R0813B



EXPLODED DRAWING C

Model No. 831.24996.0 R0813B



EXPLODED DRAWING D

Model No. 831.24996.0 R0813B

