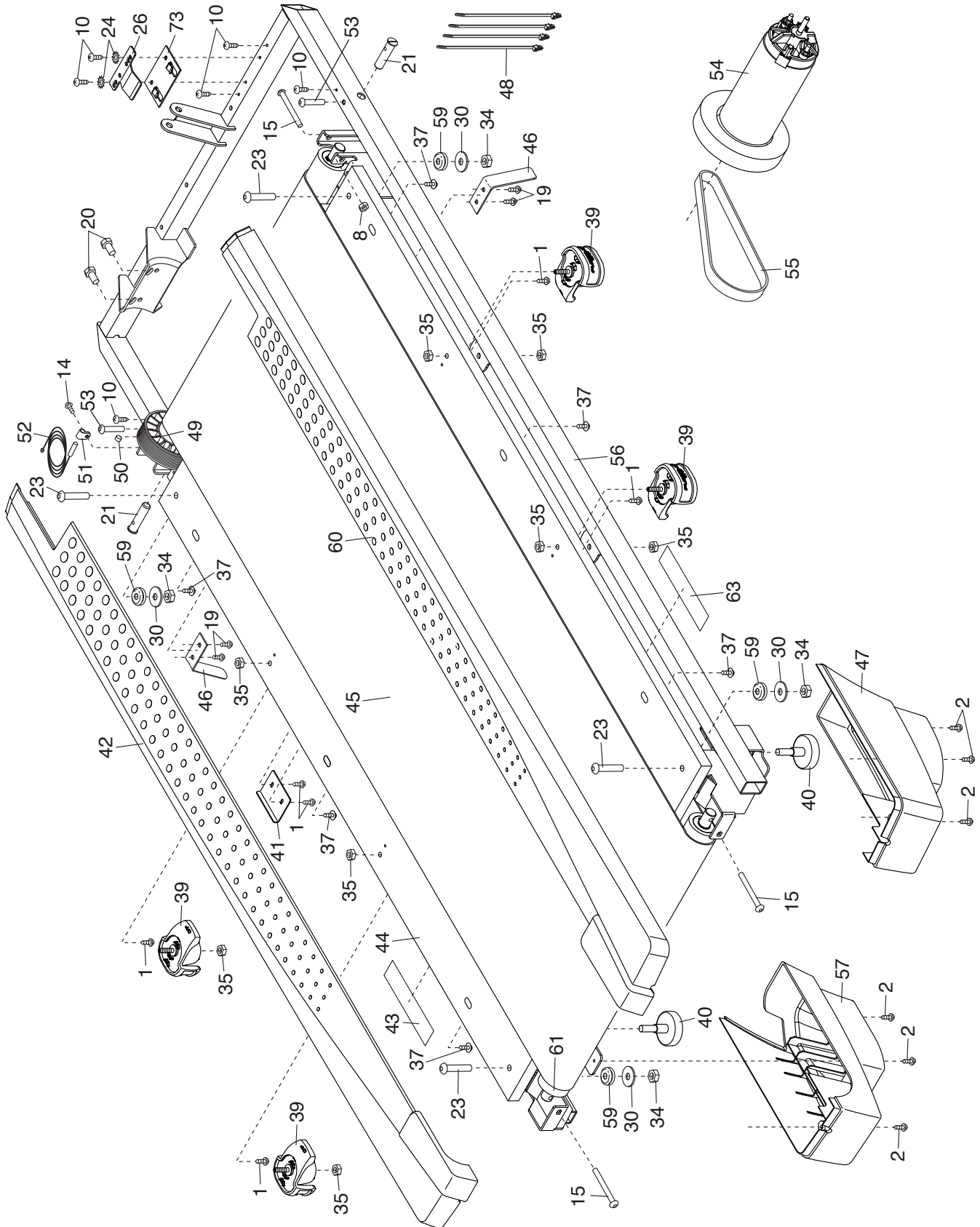


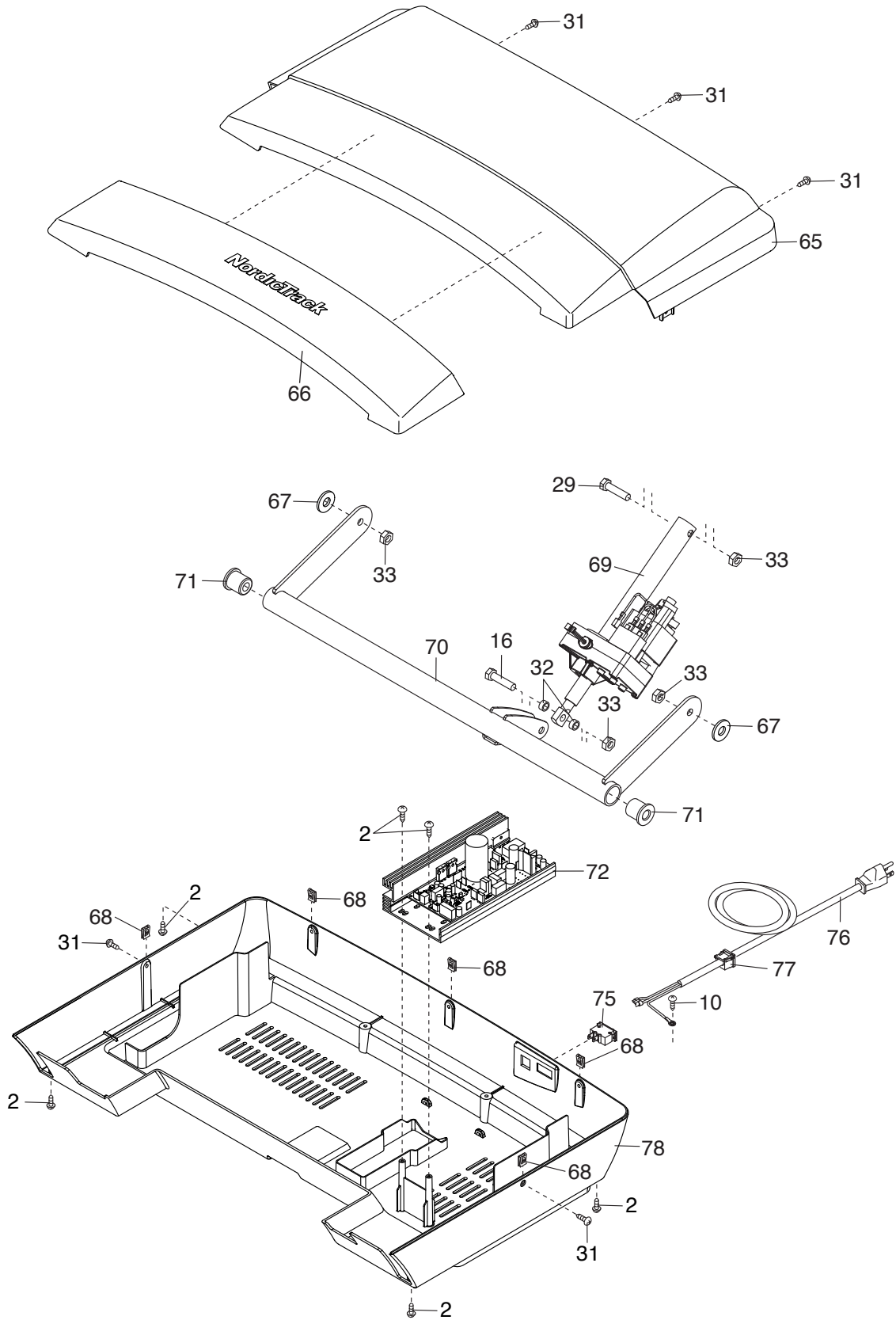
# EXPLODED DRAWING A

Model No. 24996C.0 R0914A



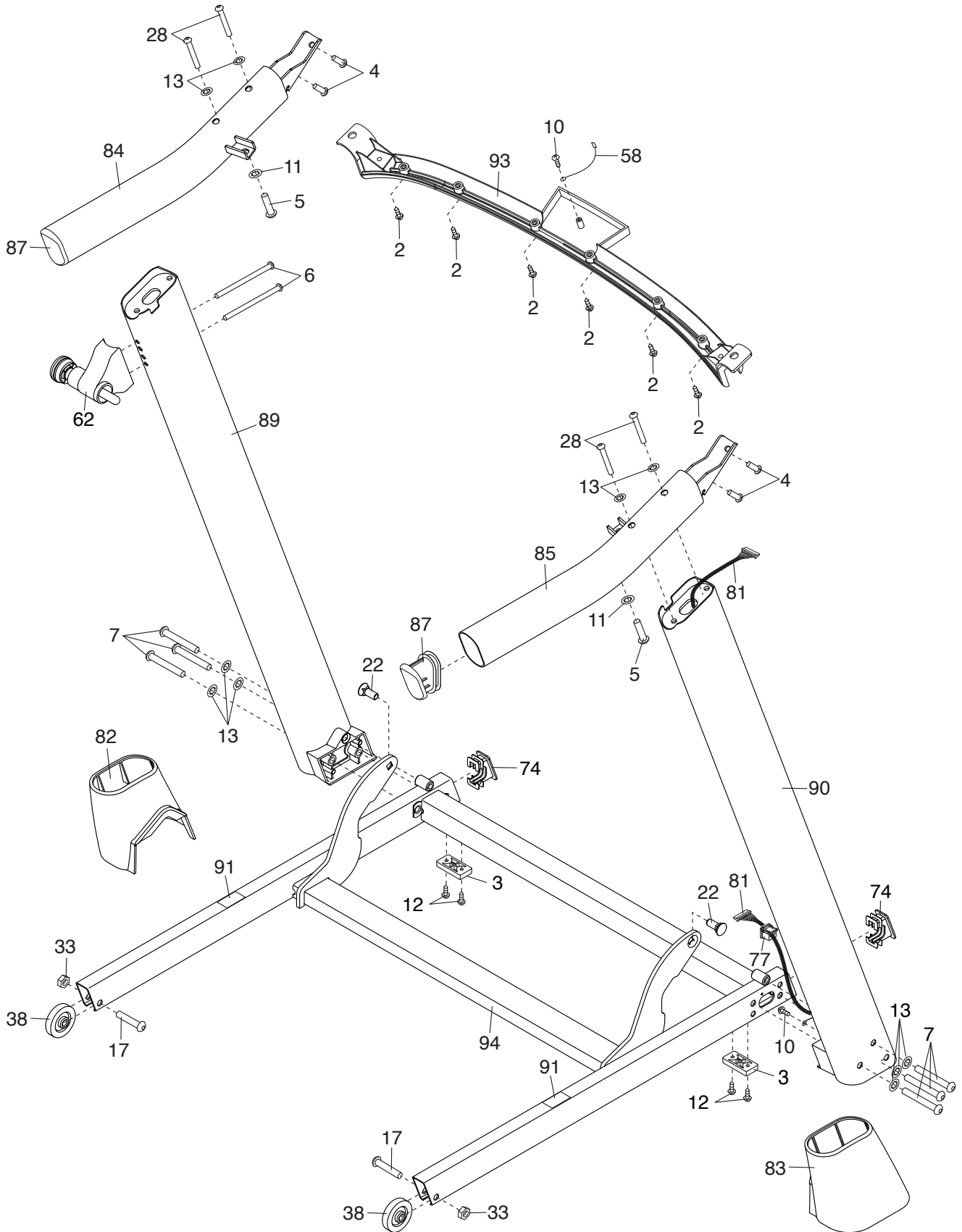
# EXPLODED DRAWING B

Model No. 24996C.0 R0914A



# EXPLODED DRAWING C

Model No. 24996C.0 R0914A



# EXPLODED DRAWING D

Model No. 24996C.0 R0914A

