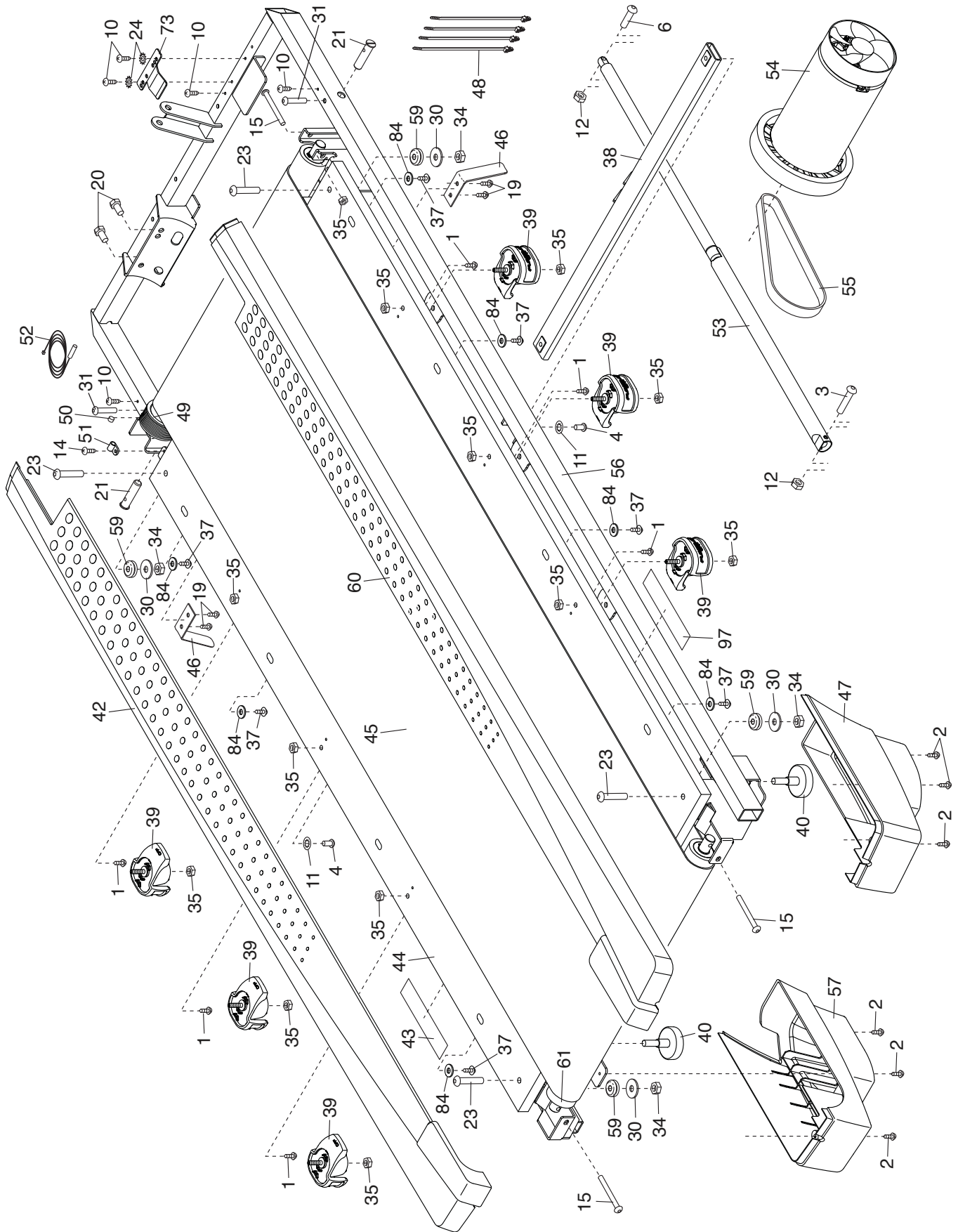


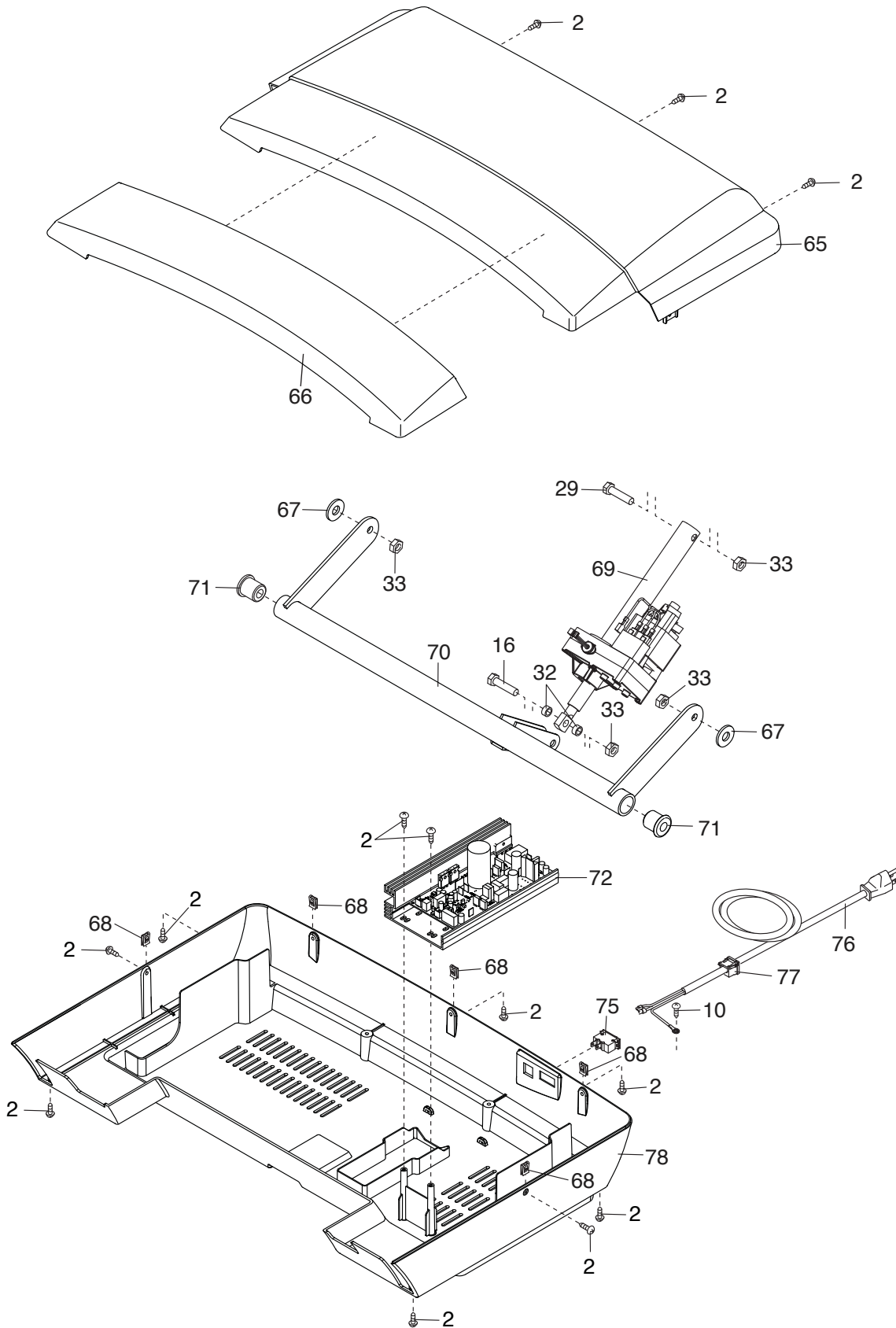
EXPLODED DRAWING A

Model No. 25018C.0 R0115A



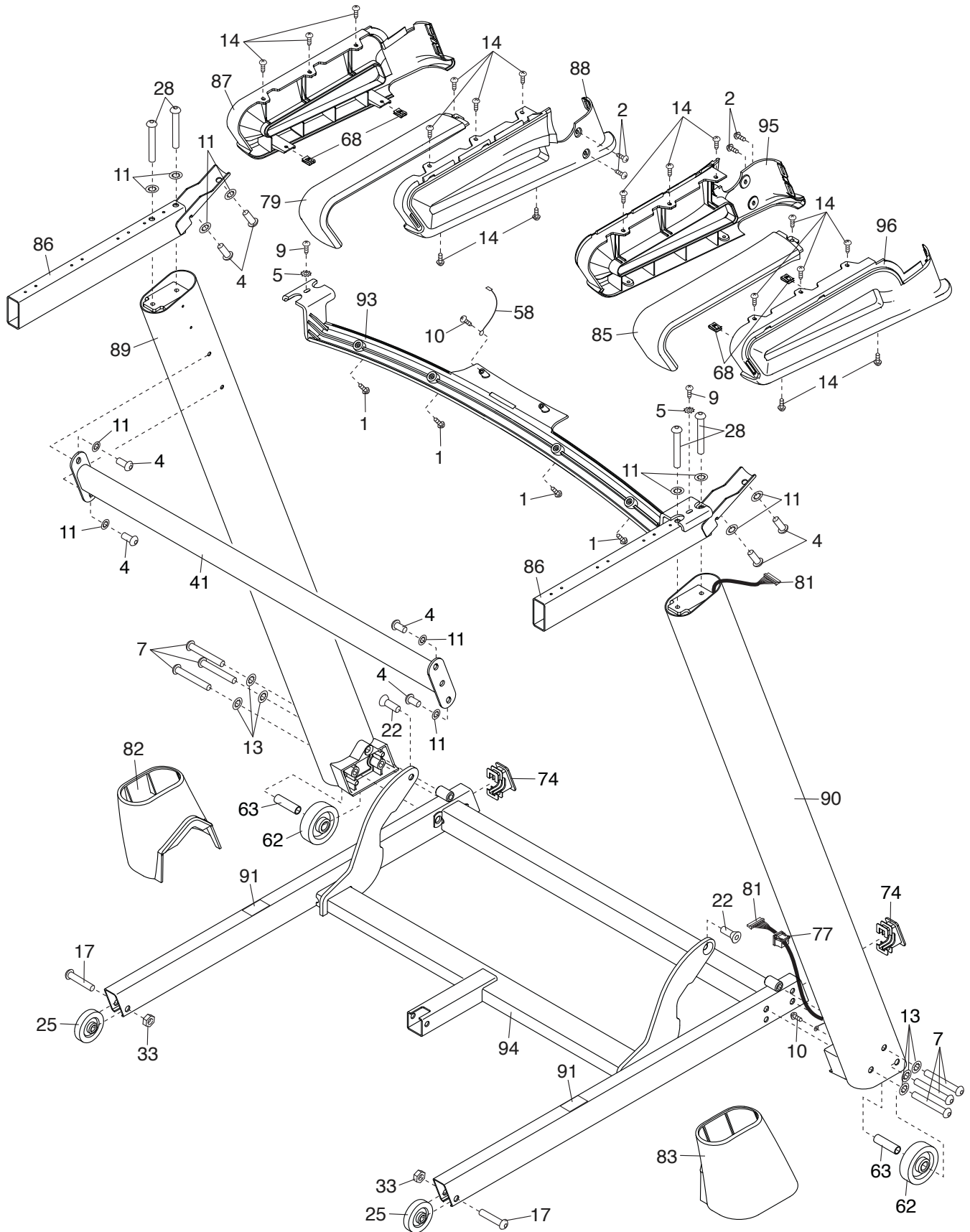
EXPLODED DRAWING B

Model No. 25018C.0 R0115A



EXPLODED DRAWING C

Model No. 25018C.0 R0115A



EXPLODED DRAWING D

Model No. 25018C.0 R0115A

