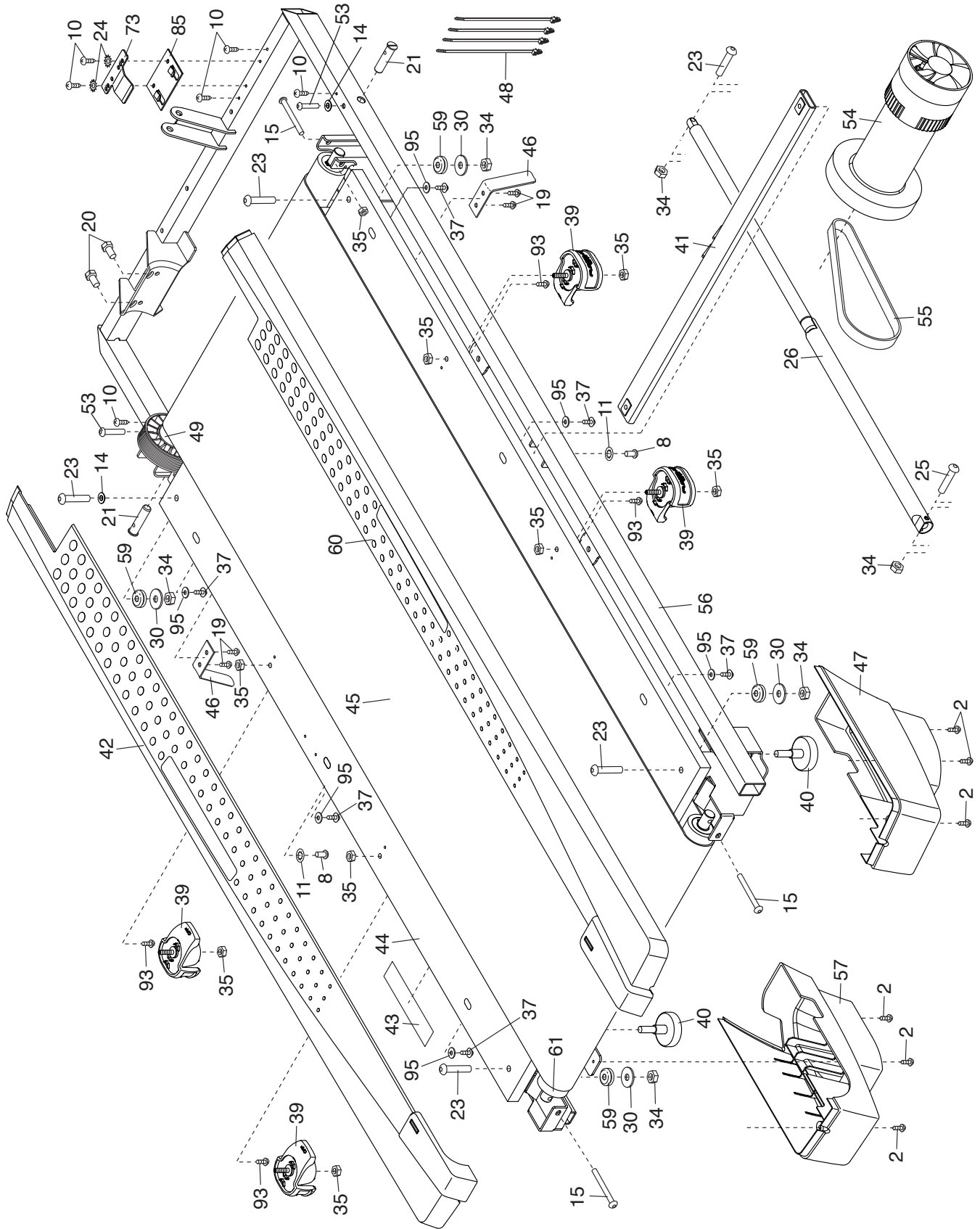


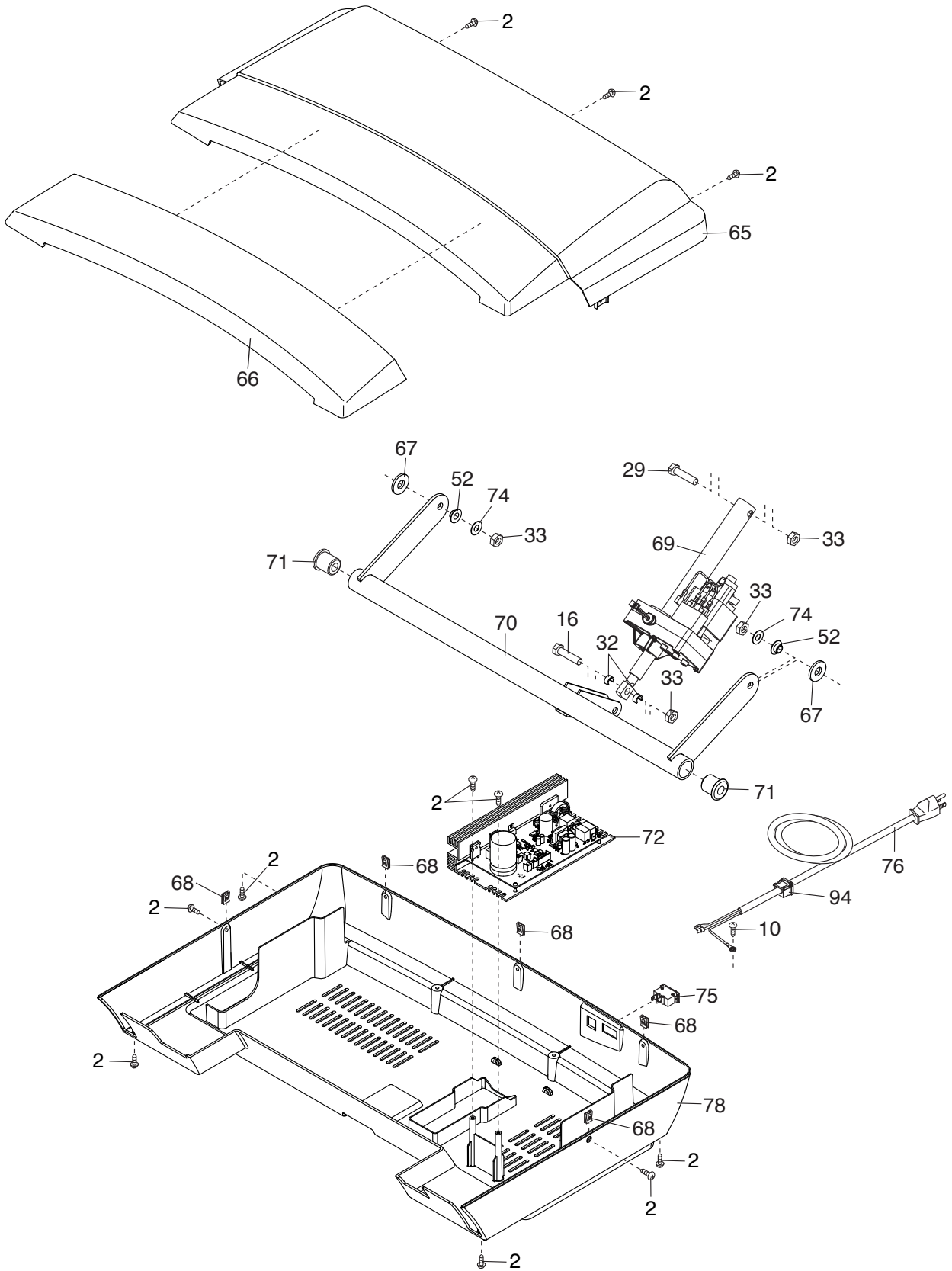
EXPLODED DRAWING A

Model No. 25021.11 R0518A



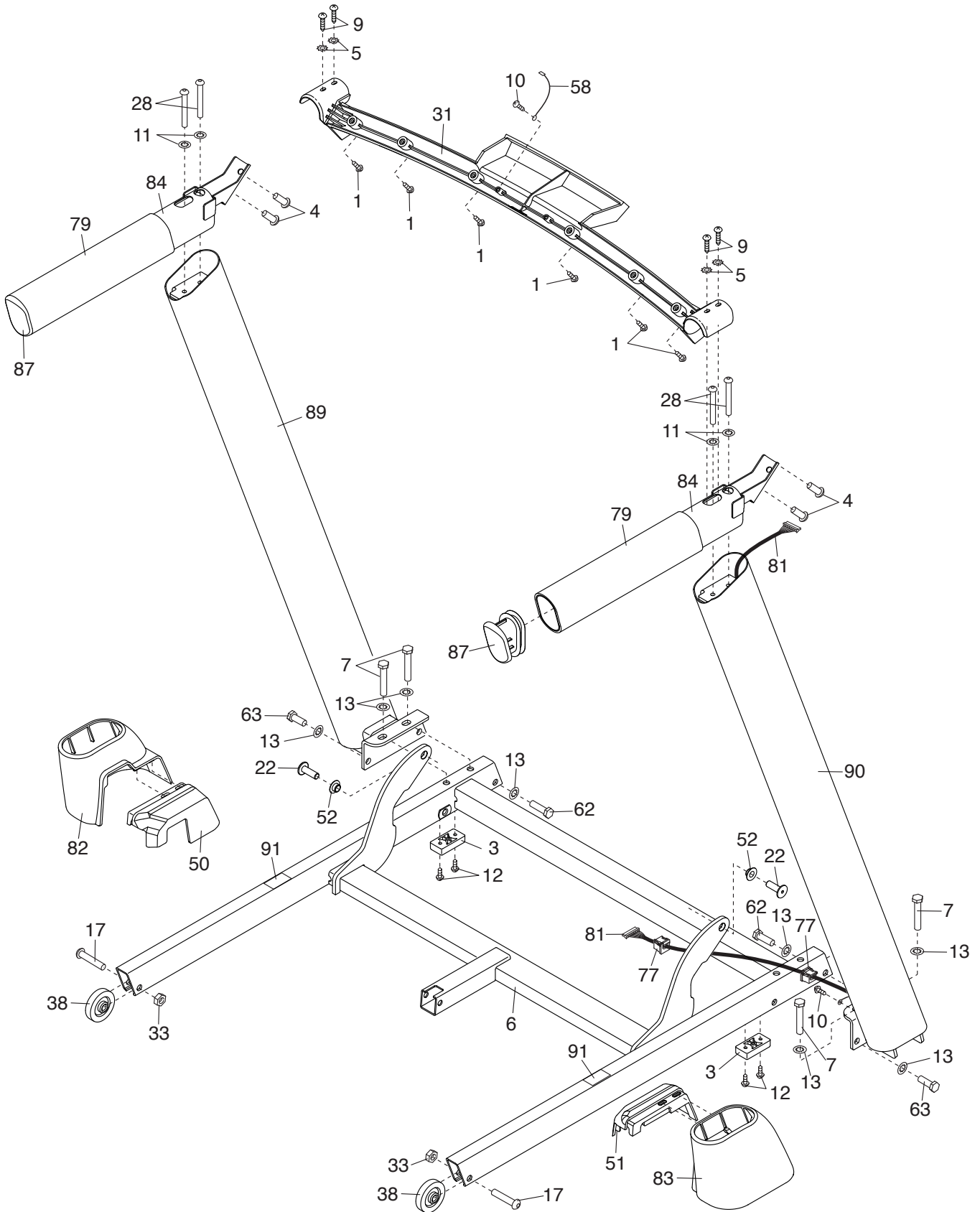
EXPLODED DRAWING B

Model No. 25021.11 R0518A



EXPLODED DRAWING C

Model No. 25021.11 R0518A



EXPLODED DRAWING D

Model No. 25021.11 R0518A

