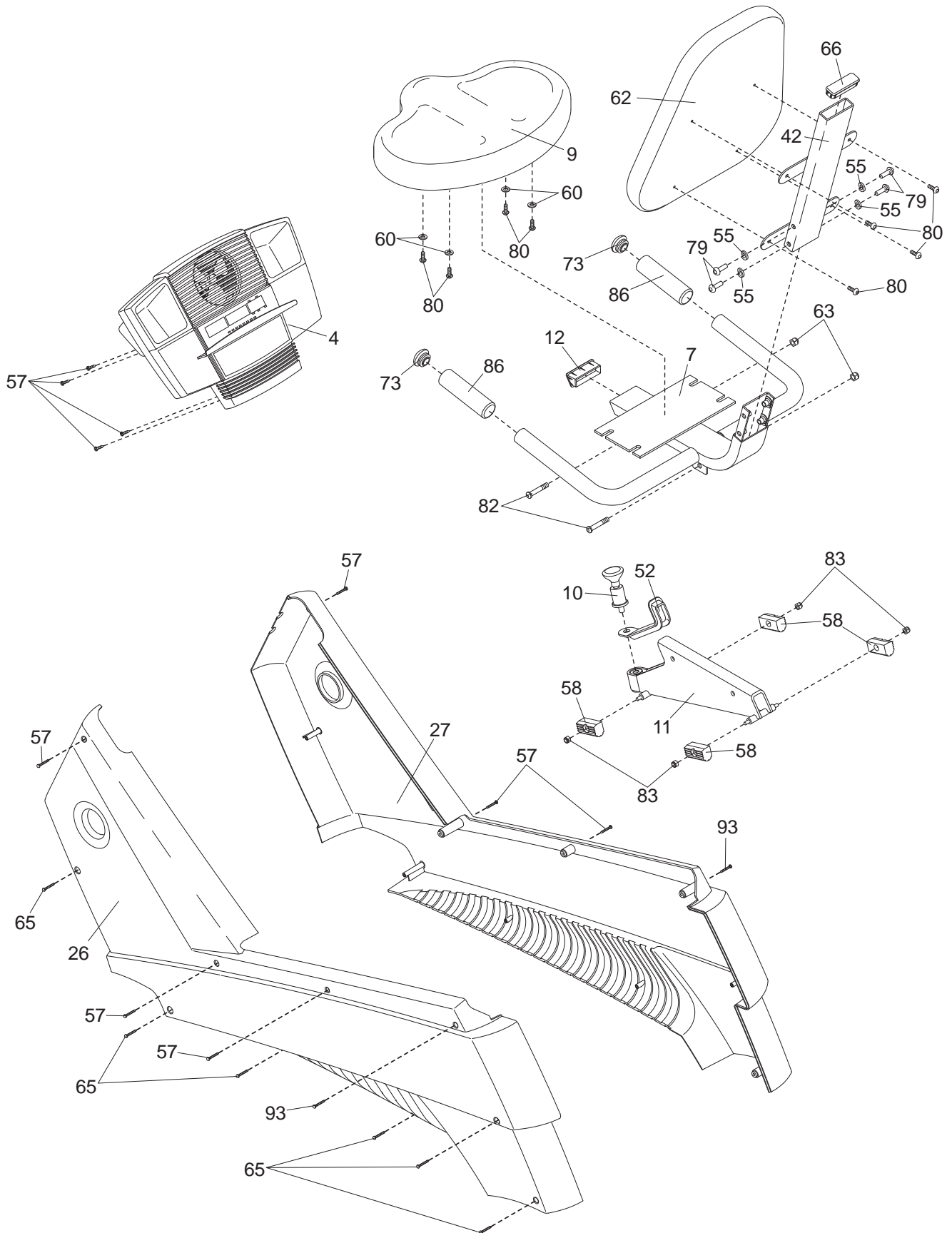


EXPLODED DRAWING A—Model No. NTC0894.1

R0605A



EXPLODED DRAWING B—Model No. NTC0894.1

R0605A

