

MAINTENANCE AND STORAGE

The Lifestyler 2500 rowing machine is designed to be virtually maintenance-free. Check all parts periodically to ensure that they are tightened securely. Outside surfaces of the rower can be cleaned using a soft cloth and mild, non-abrasive detergent.

The rower can be compactly stored in a corner or closet. Simply move the seat to the end of the rail and stand the rower on end. Remove the batteries from the electronic monitor before storing the rower for extended periods of time.

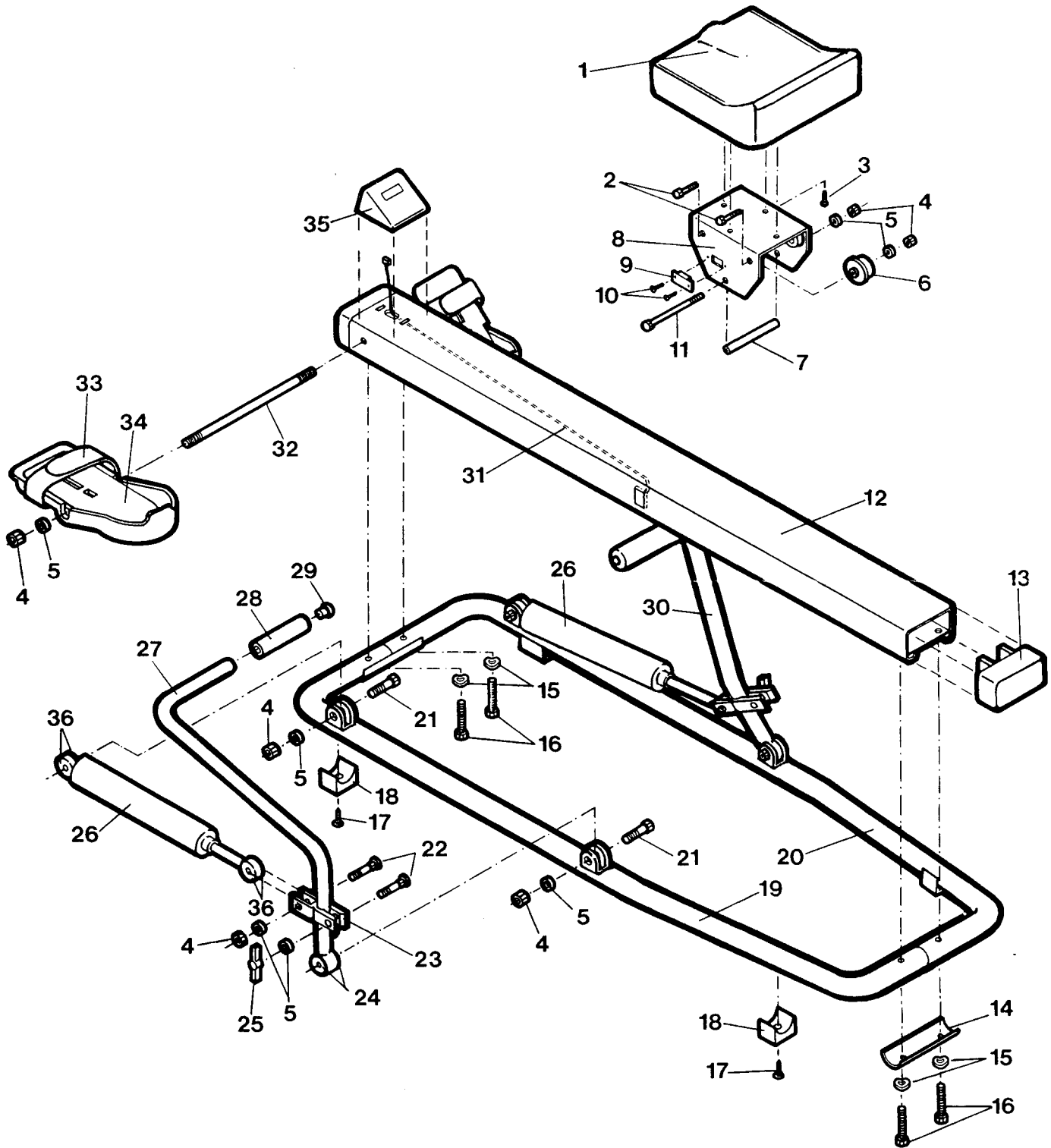
PART LIST - Model No. 831.284010

Rev. 6/89

Key No.	Reorder No.	Qty.	Description	Key No.	Reorder No.	Qty.	Description
1	042041	1	Seat	22	013096	4	H-Clamp Bolt
2	013056	4	Wheel Bolt	23	016022	2	H-Clamp
3	013072	4	Seat Bolt	24	019262	2	Bushing
4	012042	11	Nut	25	017001	2	T-Wingnut
5	014073	15	Washer	26	043035	2	Hydraulic Shock
6	022054	4	Wheels	27	002065	1	Rowing Arm (L)
7	022055	1	Plastic Roller	28	041074	2	Foam Grip
8	008225	1	Seat Bracket	29	040004	2	Endcap
9	033001	1	Magnet	30	002066	1	Rowing Arm (R)
10	013518	2	Small Bolt	31	033184	1	Sensor Wire
11	013517	1	Long Bolt	32	049008	1	Footrest Shaft
12	006159	1	Rail	33	035034	2	Foot Straps
13	040179	2	Rail Endcap	34	039001	2	Footrest
14	008227	2	Frame Bracket	35	032093	1	Electronic Monitor
15	014154	4	Formed Washer	36	019077	4	Shock Bushing
16	013265	4	Frame Bolt	#	045002	1	Hex Key
17	013312	4	Foot Screw	#	045005	1	Socket Phillips Wrench
18	051023	4	Rubber Foot	#	045014	1	Phillips-Wrench
19	004192	1	Left Section Frame	#	089039	1	Electronics Guide
20	004193	1	Right Frame Section	#	046237	1	Owner's Manual
21	013226	4	Bolt				

EXPLODED DRAWING - Model No. 831.284010

Rev. 6/89



*Specifications are subject to change without notice.