

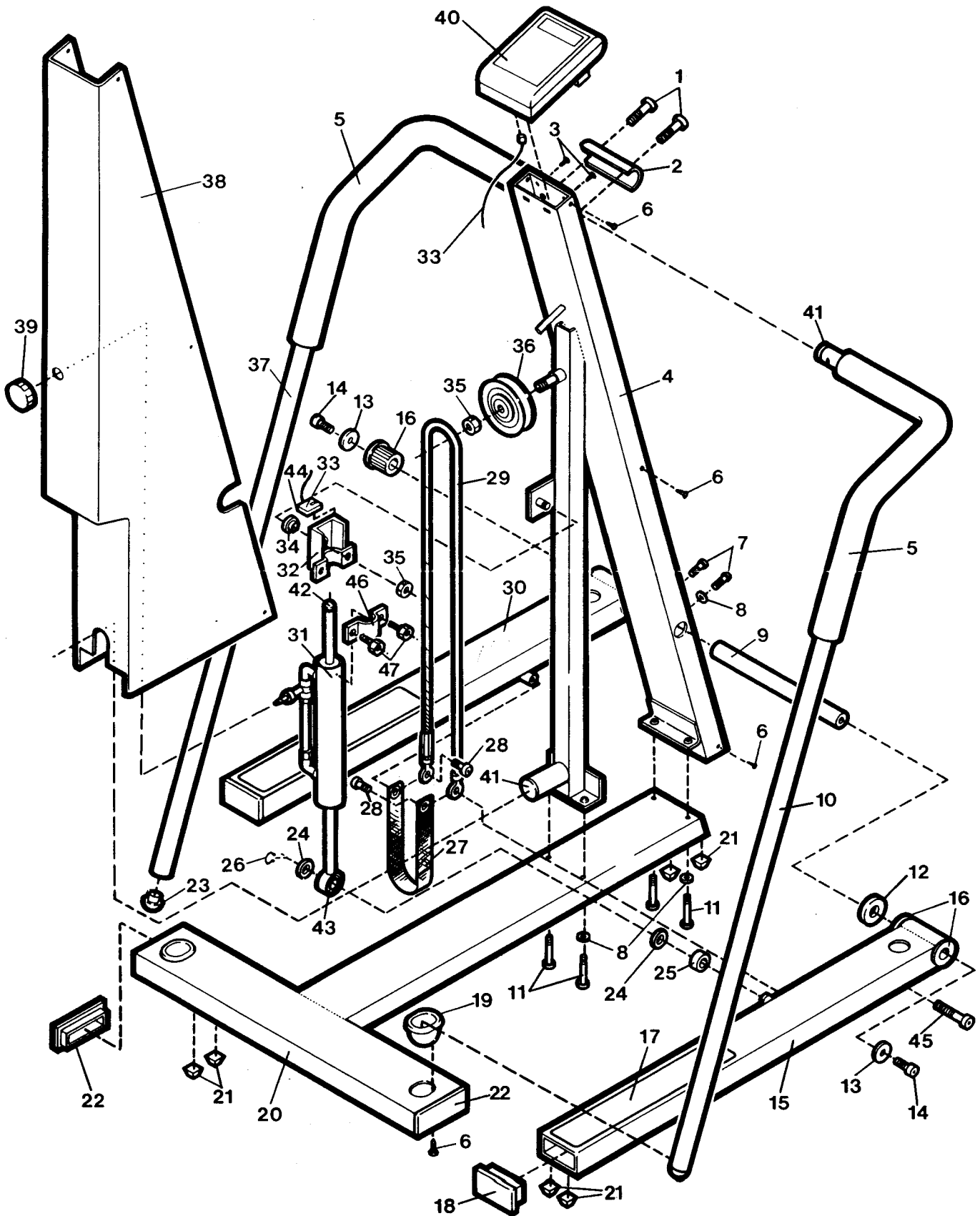
PART LIST - Model No. 831.285020

9/89

Key No.	Reorder No.	Qty.	Description	Key No.	Reorder No.	Qty.	Description
1	013561	2	U-Clamp Bolt	26	054024	1	E-Clip
2	016058	1	U-Clamp	27	035049	1	Strap
3	013282	2	Bracket Mounting Screw	28	013558	2	Cable Bolt
4	NSP	1	Frame	29	026029	1	Cable
5	041066	2	Foam Grip	30	005049	1	Left Pedal
6	013511	8	Small Screw	31	043042	1	Resistance Cylinder
7	013492	2	Shaft Bolt	32	016060	1	Cylinder Mount
8	014126	6	Washer	33	033169	1	Sensor Wire/Reed Switch
9	049087	1	Pivot Shaft	34	014168	1	Top Cylinder Washer
10	001056	1	Right Handlebar	35	012166	2	Jam Nut
11	013523	4	Base Bolt	36	020057	1	Pulley
12	019301	2	Spacer	37	001055	1	Left Handlebar
13	014164	2	Flat Washer	38	010182	1	Plastic Cover
14	013244	2	Pivot Bolt	39	017091	1	Resistance Knob
15	005050	1	Right Pedal	40	032085	1	Electronic Monitor
16	019240	4	Pedal Bushing	41	040182	3	Flat Endcap
17	041067	2	Grip Tape	42	008265	1	Magnet Mount
18	040169	2	Pedal Endcap	43	081010	1	Rubber Grommet
19	019306	2	Handlebar Socket	44	062037	1	Adhesive Tape
20	004196	2	Base	45	013500	2	Pedal Bolt
21	019115	10	Rubber Pad	46	016061	1	Cylinder Mnt. Bracket
22	040194	2	Base Endcap	47	013556	2	Bracket Bolt
23	040168	2	Bullet Endcap	#	046286	1	Owner's Manual
24	014169	2	Cylinder Washer	#	089043	1	Monitor Oper. Guide
25	019311	1	Cylinder Spacer				

Note: “#” indicates a non-illustrated part

See the back cover of this manual for part ordering information.



*Specifications are subject to change without notice.