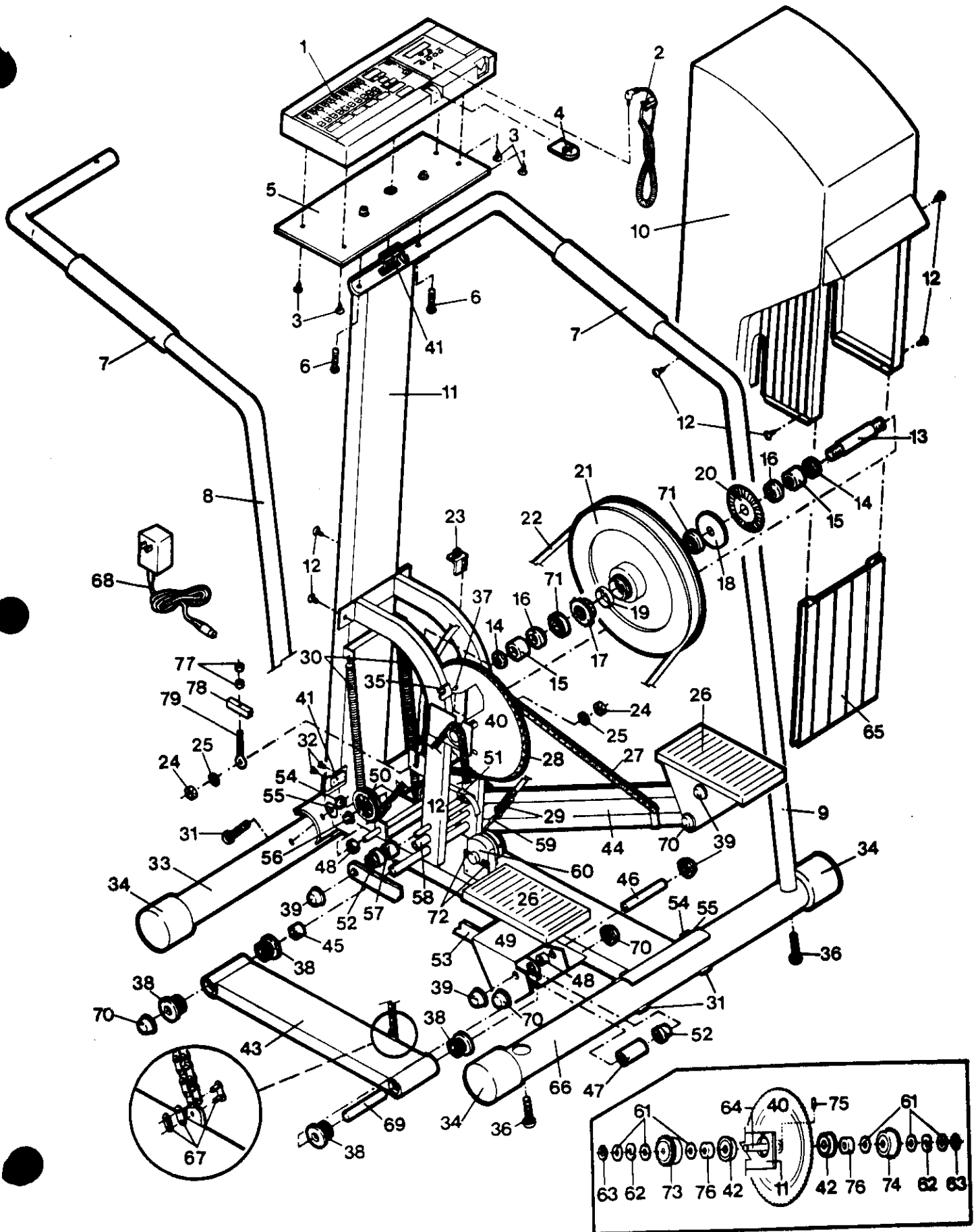


EXPLODED DRAWING - Model No. 831.285062

Rev. 8/91



MODEL NUMBER: 28506
VERSION: 02
PRODUCT NAME: PROFORM 3001 STX
PRODUCT DESC:

MODEL/PART BOOK LISTING

PAGE 1
I1023P1
RUN DATE: 2/08/97
RUN TIME: 11:42:02

KEY NUMBER	PART NUMBER	DESCRIPTION	QUANTITY
1	107154	PROGRAMMABLE CONSOLE ASSY	1
2	119946	PULSE/CLOTHES CLIP ASSY.	1
3	013322	CONSOLE SCREW	4
4	100933	POWER KEY	1
5	104277	CONSOLE BRACKET ASSEMBLY	1
6	013561	CONSOLE BOLT	2
7	103956	HANDRAIL FOAM GRIP	2
8	104265	LEFT HANDRAIL W/FOAM	1
9	NLA	RIGHT HANDRAIL W/FOAM	1
10	104574	SIDE SHIELD W/DECALS	1
11	NSP	FRAME	1
12	013162	SCREW	7
13	104429	FLYWHEEL AXLE	1
14	101980	JAM NUT	2
15	103941	FLYWHEEL SPACER	2
16	014004	BEVELED WASHER	2
17	104008	FLYWHEEL SPROCKET	1
18	104443	ADHESIVE DISK	1
19	104264	SPACER	1
20	104544	OPTICAL DISK W/TAPE	1
21	104267	FLYWHEEL ASSEMBLY	1
22	101929	RESISTANCE STRAP	1
23	104217	OPTICAL READER	1
24	012175	AXLE NUT	2
25	104478	AXLE WASHER	2
26	104309	PEDAL COVER ASSEMBLY	2
27	104302	PEDAL CHAIN W/MASTER LINK	2
28	102352	DRIVE CHAIN	1
29	103909	SPRING ASSEMBLY	1
30	124855	PEDAL SPRING	2
31	013207	CARRIAGE BOLT	4
32	101577	POWER PLUG MTG. SCREW	2
33	102338	FRONT STABILIZER	1
34	103687	STABILIZER ENDCAP	4
35	033148	SENSOR WIRE/REED SWITCH	1
36	104655	HANDRAIL MOUNTING BOLT	2
37	100498	MAGNET	3
38	100048	PEDAL BUSHING	8
39	103903	AXLECAP (PUSHNUT)	6
40	111896	SPROCKET ASSEMBLY *	1
41	104214	WIRE HARNESS/POWER PLUG	1
42	102348	BEARING	2
43	104268	LEFT PEDAL LEG ASSEMBLY	1
44	104269	RIGHT PEDAL LEG ASSEMBLY	1
45	103672	FRONT PEDAL SPACER	2
46	103871	PEDAL ROD	2
47	103680	REAR SPACER	2
48	103679	SMALL SPACER	4
49	104273	PEDAL ASSEMBLY	2
50	104275	PULLEY W/AXLECAP	2
51	050001	TENSION BUCKLE	1
52	103677	LINK ARM BUSHING	4
53	111376	LINK ARM ASSEMBLY	2
54	012082	STABILIZER NUT	4

MODEL NUMBER: 28506
 VERSION: 02
 PRODUCT NAME: PROFORM 3001 STX
 PRODUCT DESC:

MODEL/PART BOOK LISTING

RUN DATE: 2/08/97

RUN TIME: 11:42:02

KEY NUMBER	PART NUMBER	DESCRIPTION	QUANTITY
55	014041	WASHER	4
56	103957	PULLEY AXLE CAP	2
57	103681	LINK ARM SPACER	2
58	104446	PEDAL STOP BUMPER	2
59	101042	TENSION ROPE	1
60	103888	TENSION MOTOR	1
61	102350	SPROCKET WASHER	6
62	102960	SPRING WASHER	2
63	104365	RETAINER	2
64	104357	AXLE	1
65	104035	ACCESS COVER	1
66	102337	REAR STABILIZER	1
67	104111	MASTER LINK ASSEMBLY	4
68	104216	POWER CORD	1
69	103902	LOWER PEDAL ROD	2
70	103735	LARGE AXLECAP	6
71	102356	FLYWHEEL BEARING	2
72	101049	TENSION MOTOR MTG. SCREW	2
73	118108	L/R SPROCKET ASSEMBLY	1
74	.	SEE KEY# 73	1
75	102961	ROLL PIN	1
76	104368	AXLE SPACER	2
77	012096	ALIGNMENT NUT	4
78	100128	ALIGNMENT BRACKET	2
79	104536	ALIGNMENT EYEBOLT	2
.	.	NON-ILLUSTRATED PARTS:	0
#	102353	CHAIN BUSHING	2
#	045010	ALLEN WRENCH	1
#	016028	WRENCH CLIP	1
#	106893	LEFT SIDE SHIELD DECAL	1
#	106894	RIGHT SIDE SHIELD DECAL	1
#	019183	PEDAL BUMPER	2
#	107490	WARNING DECAL	2
#	106687	OWNERS MANUAL	1
.	106688	LITERATURE PACKET	1
.	.	106687 OWNERS MANUAL	1
.	.	101508 PULSE EARCLIP	1
.	.	100933 POWER KEY	1
.	.	103739 HARDWARE KIT	1
.	.	013207 CARRIAGE BOLT	4
.	.	012082 HEX NUT	4
.	.	014041 FLAT WASHER	4
.	.	104655 HR MTG BOLT	2
.	.	013561 CONSOLE BOLT	2
.	.	045010 ALLEN WRENCH	1
.	.	016028 WRENCH CLIP	1
.	.	*--THIS IS AN ESTIMATED	0
.	.	COST!!!!!!	0