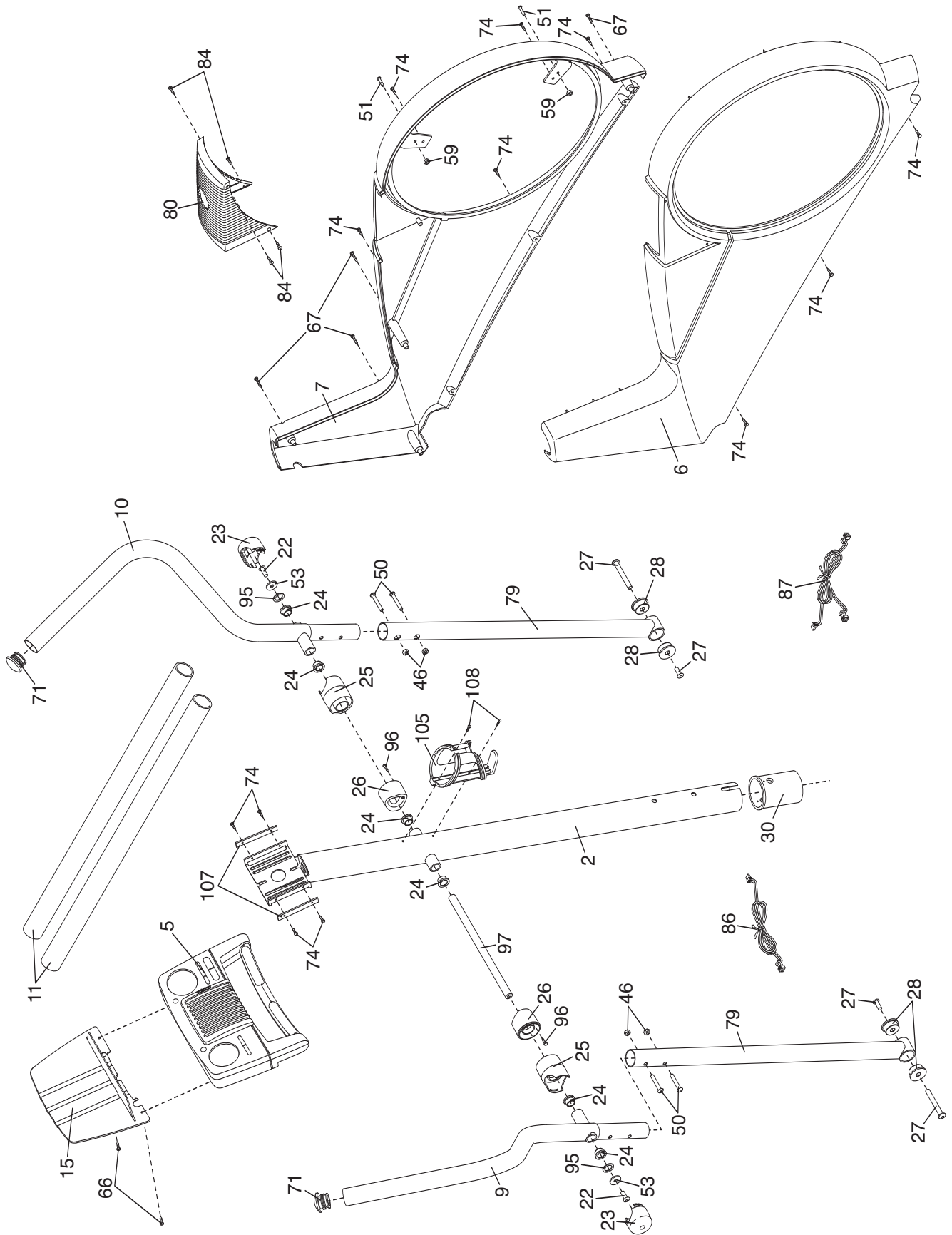


# EXPLODED DRAWING A—Model No. 831.28543.1

R1205A



# EXPLODED DRAWING B—Model No. 831.28543.1

R1205A

