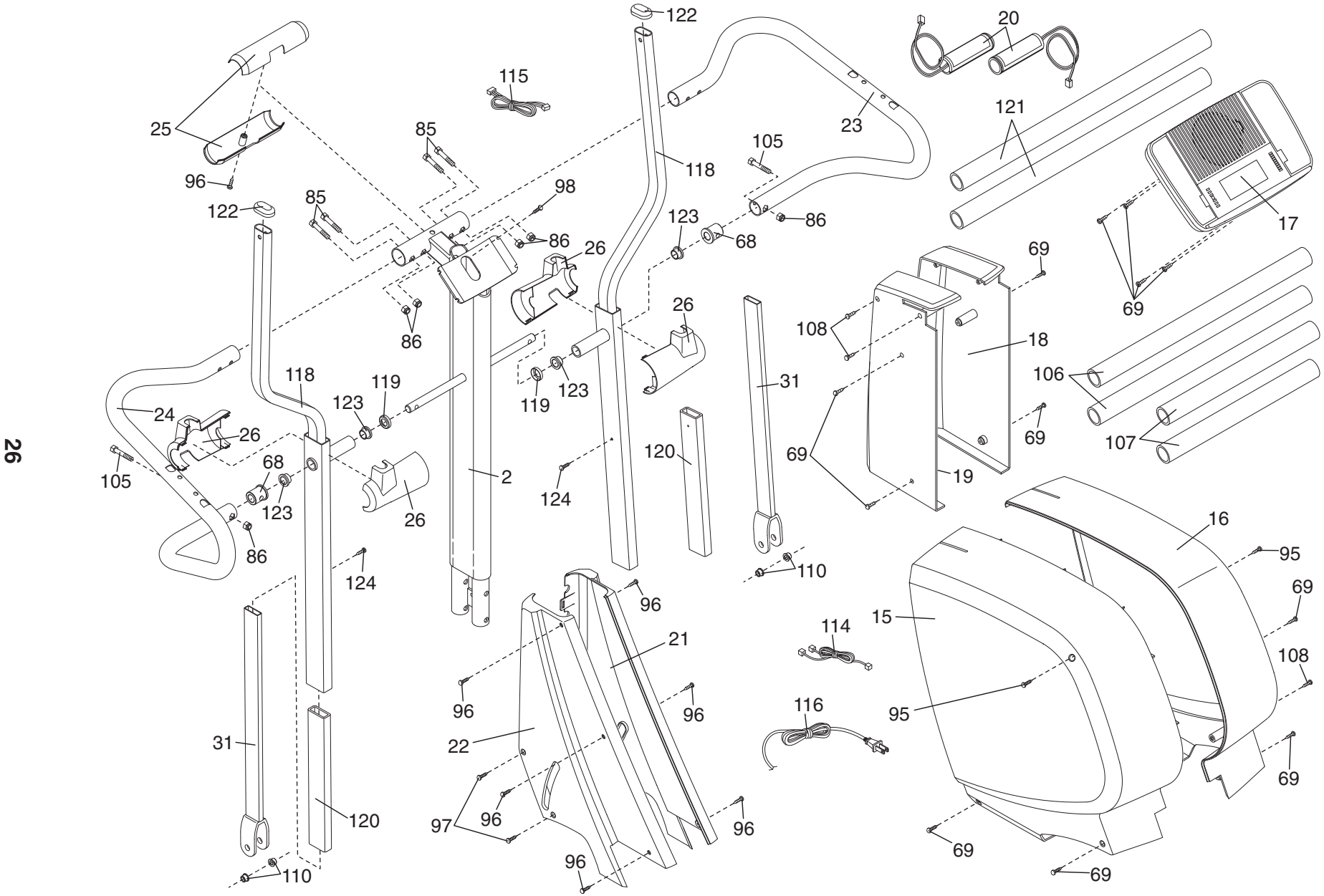


EXPLODED DRAWING A—Model No. NEL70950

R0205A



26

EXPLODED DRAWING B—Model No. NEL70950

R0205A

