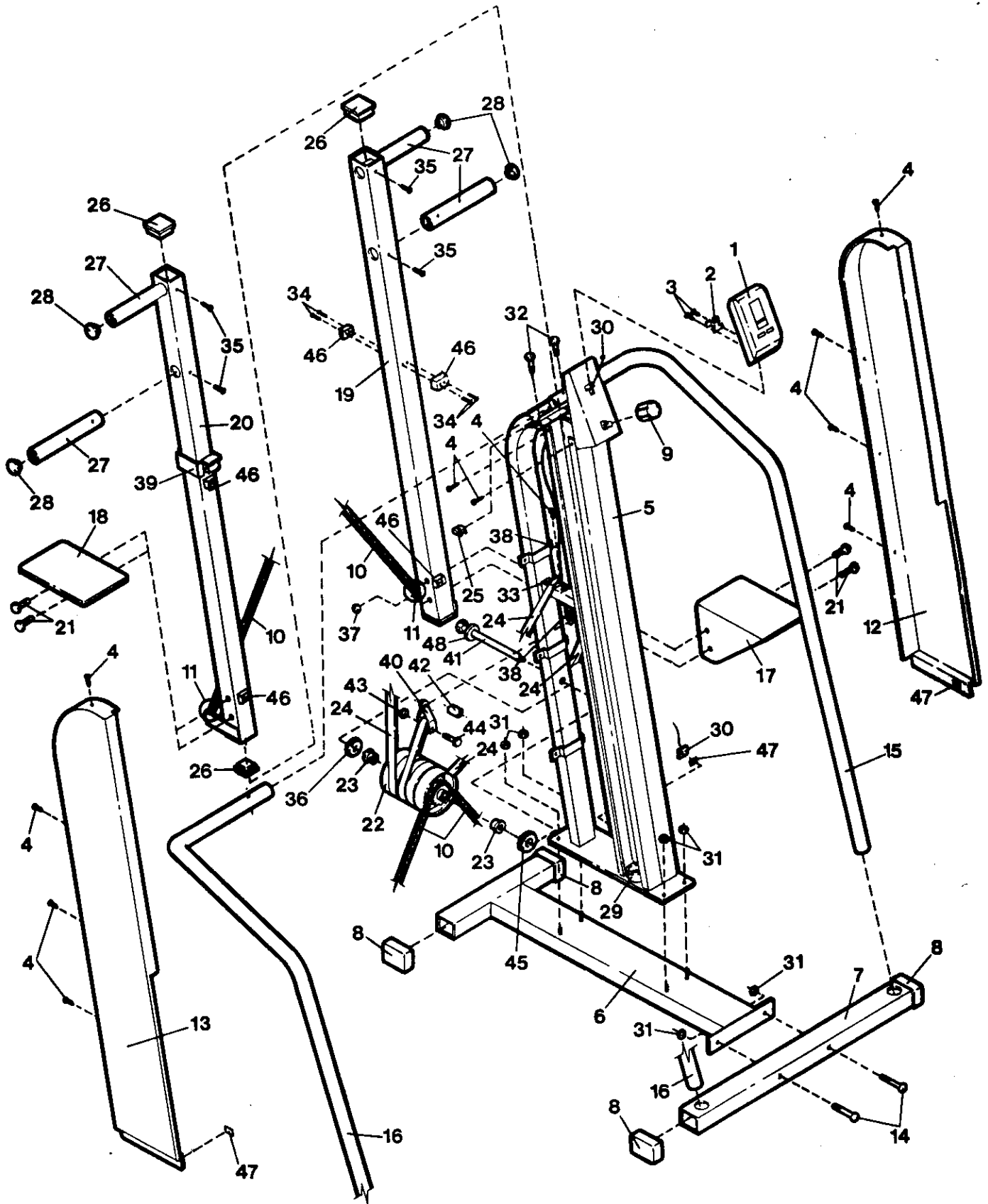


EXPLODED DRAWING—Model No. 831.285651

Rev. 11/93



MODEL NUMBER: 28565
VERSION: 01
PRODUCT NAME: LIFESTYLER MTN
PRODUCT DESC:

MODEL/PART BOOK LISTING

PAGE 1
INI023P1
RUN DATE: 3/28/94
RUN TIME: 10:08:20

KEY NUMBER	PART NUMBER	DESCRIPTION	QUANTITY
1	114195	CONSOLE	1
2	113502	CONSOLE BRACKET	1
3	115143	CONSOLE SCREW	2
4	013162	#8 X 1/2" SCREW	14
5	NSP	FRAME	1
6	113889	BASE	1
7	113972	STABILIZER	1
8	105723	STABILIZER ENDCAP	4
9	113922	RESISTANCE KNOB	1
10	113915	CHAIN	1
11	110867	MASTER LINK ASSEMBLY	2
12	115567	RIGHT SIDE SHIELD ASSY. *	1
	.	113931 RIGHT SIDE SHIELD	1
	.	114357 SIDE SHIELD DECAL	1
	.	115449 FASTENER (VELCRO)	1
13	115568	LEFT SIDE SHIELD ASSY. *	1
	.	113930 LEFT SIDE SHIELD	1
	.	114357 SIDE SHIELD DECAL	1
	.	115449 FASTENER (VELCRO)	1
14	108674	3/8" X 2.5" CARRIAGE BOLT	2
15	113933	RIGHT SIDE RAIL	1
16	113934	LEFT SIDE RAIL	1
17	114528	RIGHT PEDAL	1
18	114526	LEFT PEDAL	1
19	114868	RIGHT SLIDE	1
20	114869	LEFT SLIDE	1
21	013208	1/2" X 2" BOLT	4
22	116141	RESISTANCE MECH W/BUSHING	1
	.	113925 RESISTANCE MECH	1
	.	110576 BRONZE BUSHING	2
23	110576	BRONZE BUSHING	2
24	113923	RESISTANCE STRAP	1
25	012179	U-NUT	2
26	114242	SLIDE ENDCAP	4
27	114856	HANDLE *	4
28	100322	HANDLE ENDCAP	4
29	105433	SLIDE BUMPER	2
30	106115	REED SWITCH/SENSOR WIRE	1
31	012108	3/8" NYLOCK NUT	6
32	102073	5/16" X 1.75" BOLT	2
33	050001	TENSION BUCKLE	1
34	115530	#6 X 1" SCREW	16
35	013510	#6 X 3/4" SCREW	4
36	014168	NYLON WASHER	1
37	107094	SENSOR MAGNET	1
38	108881	TENSION CABLE ASSEMBLY	1
39	113903	SLIDE SLEEVE	2
40	113929	TENSION STRAP BRACKET	2
41	113916	RESISTANCE MECHANISM BOLT	1
42	113951	SPACER	1
43	012082	5/16" BRACKET NUT	1
44	013210	5/16" X 1.5" BRACKET BOLT	1
45	014156	3/8" METAL WASHER	1
46	113908	SLIDE SPACER	8

MODEL NUMBER: 28565
 VERSION: 01
 PRODUCT NAME: LIFESTYLER MTN
 PRODUCT DESC: CLIMBER/STEPPER

MODEL/PART BOOK LISTING

INI023P
 RUN DATE: 11/23/93
 RUN TIME: 8:29:47

KEY NUMBER	PART NUMBER	DESCRIPTION	QUANTITY
47	115449	FASTENER *	3
48	014079	1/2" WASHER	1
.	.	NON-ILLUSTRATED PARTS:	0
A	016029	CABLE TIE	1
B	016055	WIRE CLIP	3
C	114357	SIDE SHIELD DECAL	2
	113140	"MADE IN USA" DECAL	1
D	107622	"DO NOT TURN BOLT" DECAL	1
E	033021	BATTERY (AA)	2
F	106167	BATTERY COVER	1
G	116125	OWNER'S MANUAL	1
	116124	LITERATURE PACKET	1
	.	116125 OWNER'S MANUAL	1
	.	116142 HARDWARE KIT	1
	.	102073 1.75" SCREW	2
	.	012179 U-NUT	2
	.	108674 2.5" CARR. BOLT	2
	.	012108 3/8" NYLOCK NUT	6
	.	013510 3/4" SCREW	4
	.	100322 HANDLE ENDCAP	4
	.	013208 2" SCREW	4
	.	114242 SLIDE ENDCAP	2
	.	105433 SLIDE BUMPER	2
.	.	*--THESE ARE ESTIMATED	0
.	.	COSTS!!!!	0