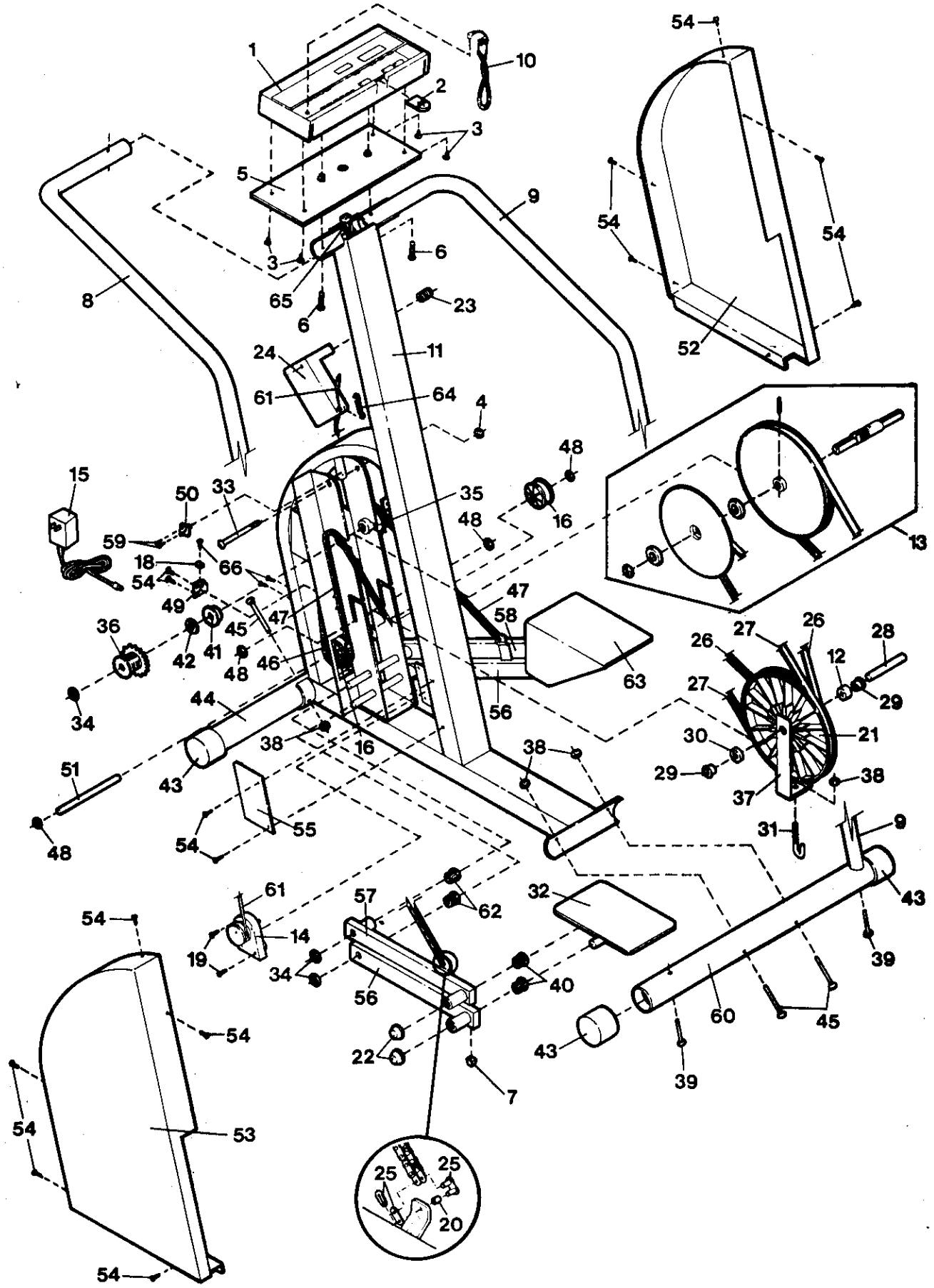


# EXPLODED DRAWING—Model No. 831.285670

Rev. 10/93



MODEL NUMBER: 28567  
 VERSION: 00  
 PRODUCT NAME: PROFORM ADVANCE STEPPER  
 PRODUCT DESC:

MODEL/PART BOOK LISTING

PAGE 1  
 INI023P1  
 RUN DATE: 4/22/96  
 RUN TIME: 13:48:31

KEY NUMBER	PART NUMBER	DESCRIPTION	QUANTITY
	.	PROFORM ADVANCE STEPPER	0
1	115544	CONSOLE	1
2	100933	POWER KEY	1
3	013423	#8 X 1/2" SCREW	4
4	012108	3/8" ADJUSTMENT NUT	1
5	115758	CONSOLE BRACKET	1
6	013544	3/8" X 2" BOLT	2
7	019183	BUMPER	2
8	121612	LEFT SIDERAIL	1
9	121509	RIGHT SIDERAIL	1
10	119946	PULSE/CLOTHES CLIP	1
11	NSP	FRAME	1
12	112627	LARGE SPACER	1
13	115142	DRIVE ASSEMBLY	1
14	110221	TENSION MOTOR	1
15	110307	POWER CORD	1
16	115760	PULLEY W/PUSHNUT	2
	.	103341 PULLEY	1
	.	105496 PUSH NUT	1
17	110651	THIN SPACER	1
18	110220	WIRE HARNESS W/SENSOR	1
19	101049	#12 X 1/2" SCREW	2
20	102353	MASTER LINK BUSHING	4
21	109557	TENSION PULLEY	1
22	103903	1/2" AXLECAP	4
23	109571	LARGE TENSION SPRING	1
24	113389	TENSION BRACKET	1
25	104111	MASTER LINK ASSEMBLY	4
26	109560	DRIVE BELT	1
27	109559	TENSION BELT	1
28	109565	PULLEY AXLE	1
29	111007	SMALL BUSHING	2
30	112628	PULLEY AXLE SPACER	1
31	111011	J-BOLT	1
32	117984	LEFT/RIGHT PEDAL ASSEMBLY	1
33	104925	3/8" X 4 1/2" BOLT	1
34	112488	LARGE PUSHNUT, 5/8"	6
35	118108	L/R CLUTCH ASSEMBLY	1
36	.	SEE KEY #35	0
37	109563	PULLEY BRACKET	1
38	012082	5/16" LOCKNUT	5
39	104049	3/8" X 3 1/2" SCREW	2
40	113348	5/8" PEDAL BUSHING	4
41	109553	TABBED BUSHING	2
42	110655	1 1/8" NYLON WASHER	2
43	103687	ENDCAP	4
44	113825	FRONT STABILIZER	1
45	013207	5/16" X 3" CARRIAGE BOLT	4
46	124855	PEDAL SPRING	2
47	113599	PEDAL CHAIN	2
48	105496	SMALL PUSHNUT, 3/8"	4
49	116937	SPEED SENSOR BRACKET	1
50	111070	CUT-OFF SWITCH	1
51	113392	PULLEY AXLE	1

MODEL NUMBER: 28567  
 VERSION: 00  
 PRODUCT NAME: PROFORM ADVANCE STEPPER  
 PRODUCT DESC:

MODEL/PART BOOK LISTING

PAGE 2  
 INI023P1  
 RUN DATE: 4/22/96  
 RUN TIME: 13:48:31

KEY NUMBER	PART NUMBER	DESCRIPTION	QUANTITY
52	115732	RIGHT SIDE SHIELD W/DECAL	1
.	.	113609 RIGHT SIDE SHIELD	1
.	.	113597 SIDE SHIELD DECAL	1
53	115733	LEFT SIDE SHIELD W/DECAL	1
.	.	113608 LEFT SIDE SHIELD	1
.	.	113597 SIDE SHIELD DECAL	1
54	013162	5/32" X 1/2" SCREW	16
55	113611	MOTOR COVER *	2
56	114556	LOWER PEDAL ARM ASSEMBLY	2
.	.	113331 LOWER PEDAL ARM	1
.	.	113348 BUSHING	1
.	.	113347 BUSHING	1
.	.	103903 AXLECAP	1
.	.	112488 PUSH NUT	1
.	.	111374 REPLACEMENT INSTR.	1
57	114554	LEFT UPPER PEDAL ARM ASSY	1
.	.	113581 LT UPPER PEDAL ARM	1
.	.	113347 BUSHING	1
.	.	113348 BUSHING	1
.	.	103903 AXLECAP	1
.	.	112488 PUSH NUT	1
.	.	111374 REPLACEMENT INSTR.	1
58	114555	RIGHT UPPER PEDAL ARM ASY	1
.	.	113339 RT UPPER PEDAL ARM	1
.	.	113348 BUSHING	1
.	.	113347 BUSHING	1
.	.	103903 AXLECAP	1
.	.	112488 PUSH NUT	1
.	.	111374 REPLACEMENT INSTR.	1
59	107276	#2 X 1/2" SCREW	2
60	113589	REAR STABILIZER	1
61	026028	TENSION ROPE	1
62	113347	PEDAL BUSHING	4
63	.	SEE KEY #32	0
64	109570	TENSION BRACKET SPRING	1
65	109575	WIRE HARNESS/POWER PLUG	1
66	100307	#4 X 3/8" SCREW	2
.	.	NON-ILLUSTRATED PARTS:	0
A	113597	L/R SIDE SHIELD DECAL	2
B	045010	ALLEN WRENCH	1
C	113596	OWNER'S MANUAL	1
.	113595	LITERATURE PACKET	1
.	.	113596 OWNER'S MANUAL	1
.	.	100933 POWER KEY	1
.	.	112589 PULSE/CLOTHES CLIP	1
.	.	019183 BUMPER	2
.	.	113637 HARDWARE KIT	1
.	.	013544 SCREW, 2"	2
.	.	013207 CARRIAGE BOLT, 3"	4
.	.	012082 NUT, 5/16"	4
.	.	104049 SCREW, 3.5"	2
.	.	045010 ALLEN WRENCH	1
.	.	*--THIS IS AN ESTIMATED	0
.	.	COST!!!!	0