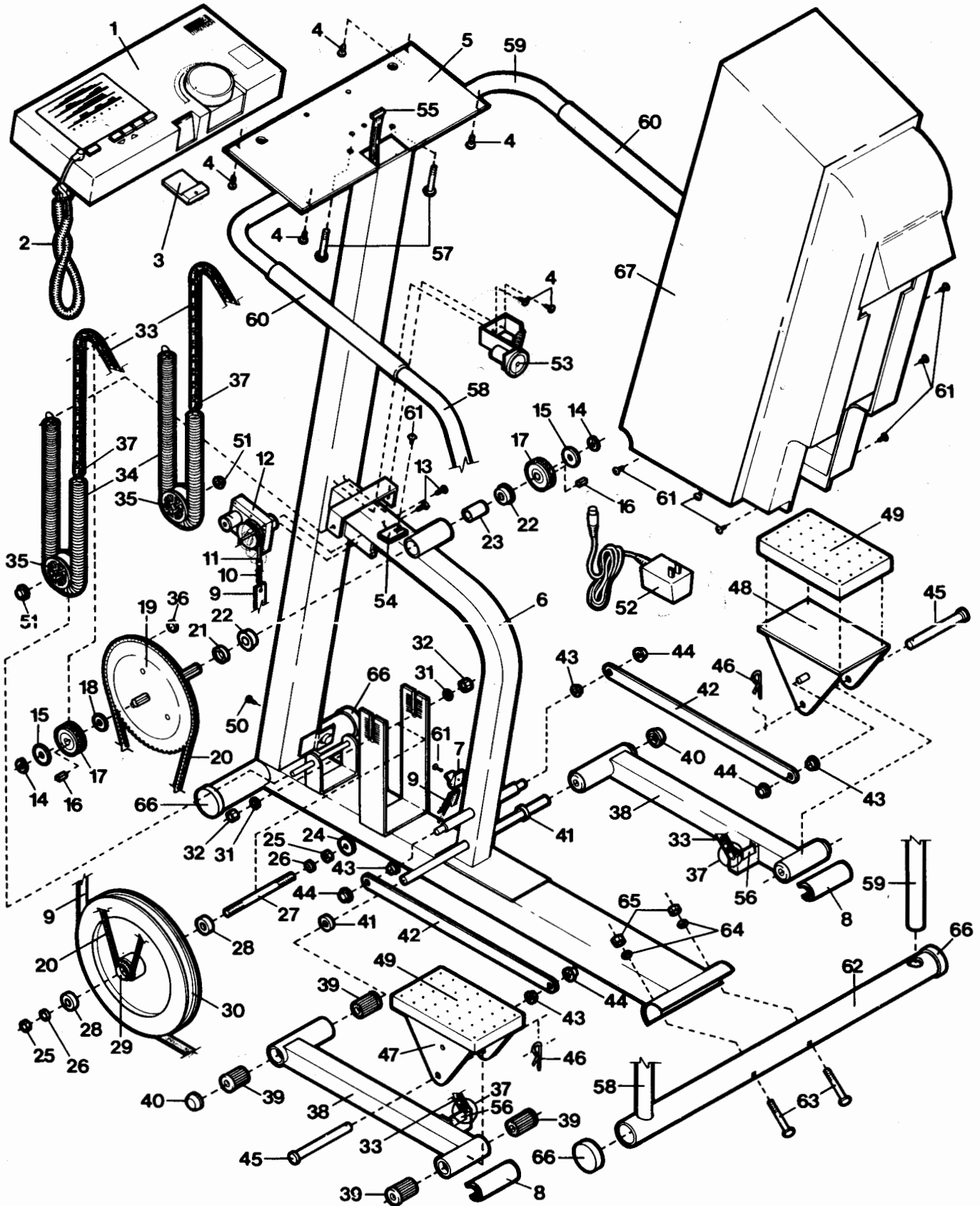


060425

EXPLODED DRAWING- Model No. 831.285901

Rev. 9/91



Specifications are subject to change without notice.