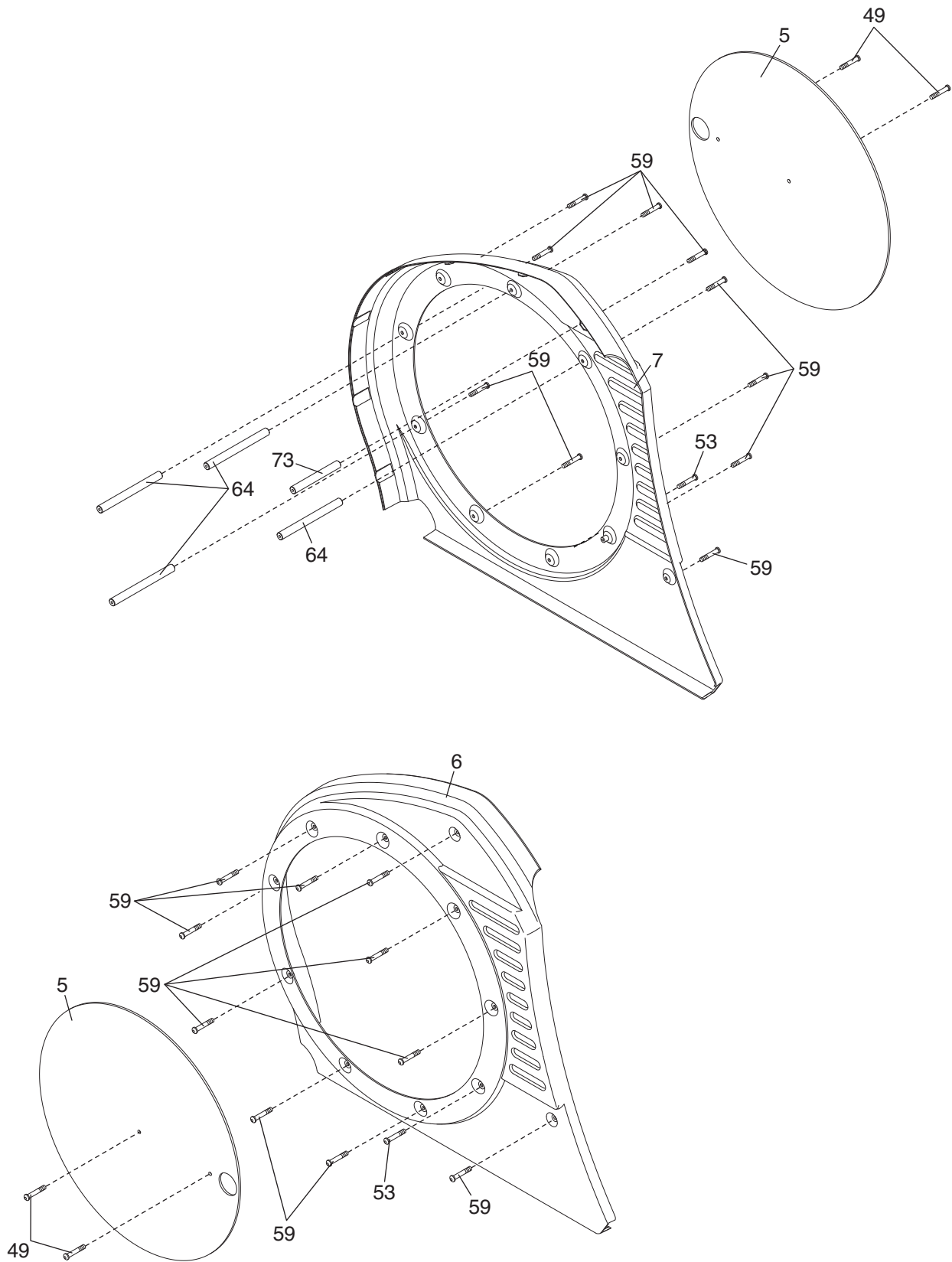


EXPLODED DRAWING B—Model No. NTEL4255.0

R0509A



EXPLODED DRAWING C—Model No. NTEL4255.0

R0509A

