

# PART LIST - MODEL NO. 831.287140

Rev. 9/90

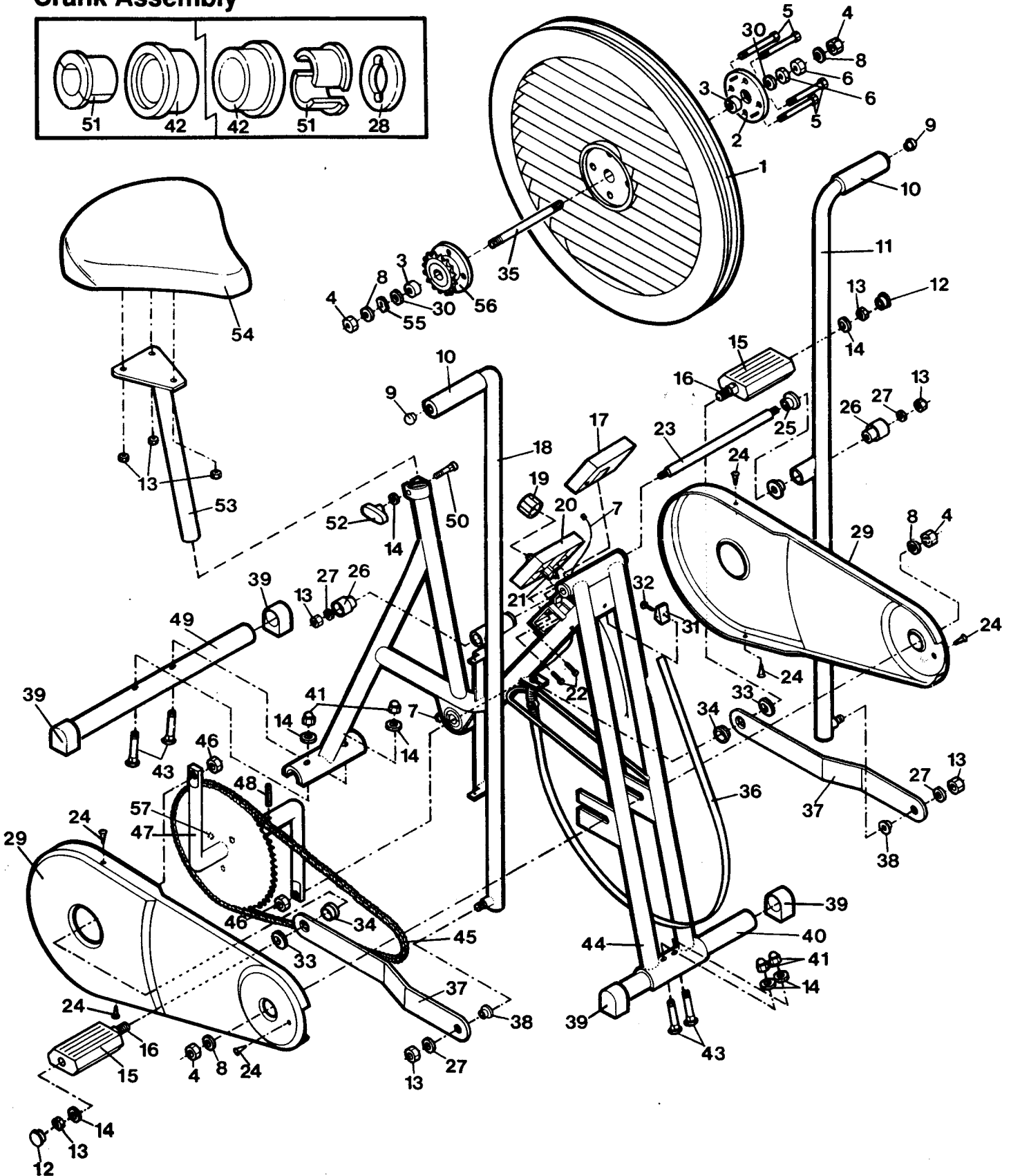
Key No.	Reorder No.	Qty.	Description	Key No.	Reorder No.	Qty.	Description
1	021045	1	Flywheel	30	014086	2	Hardened Washer
2	061054	1	Flywheel Plate	31	050001	1	Strap Buckle
3	019293	2	Bushing	32	013572	1	Strap Buckle Screw
4	012115	4	Axle Nut	33	101494	2	Shaft Washer
5	013531	4	Flywheel Sprocket Bolt	34	101036	2	Link Arm Bushing
6	012127	2	Spacer Nut	35	049100	1	Flywheel Axle
7	100335	1	Sensor Wire/Reed Switch	36	100221	1	Resistance Strap
8	014086	4	Axle Washer	37	100509	2	Link Arm
9	040119	2	Handlebar Endcap	38	019208	2	Small Bushing
10	041065	2	Foam Handgrip	39	101993	4	Stabilizer Endcap
11	101498	1	Left Handlebar	40	101992	1	Front Stabilizer
12	040158	2	Pedal Cap	41	012001	4	Acorn Nut
13	012002	9	Nut	42	100341	2	Outer Crank Bushing
14	014012	7	Washer	43	013011	4	Carriage Bolt
15	100906	2	Pedal	44	NSP	1	Frame
16	100905	2	Pedal Shaft	45	025066	1	Chain
17	100909	1	Electronic Monitor	46	100904	2	Shaft Nut
18	101499	1	Right Handlebar	47	101998	1	Crank w/Sprocket
19	100235	1	Resistance Knob	48	015070	1	Crank Pin
20	019289	1	Resistance Knob Housing	49	101995	1	Rear Stabilizer
21	101366	1	Resistance Cable	50	013205	1	Seat Post Bolt
22	013575	2	Housing Screw	51	100340	2	Inner Crank Bushing
23	100547	1	Pivot Shaft	52	017001	1	Seat Knob
24	013527	6	Mounting Screw	53	007112	1	Seat Post
25	100546	4	Small Handlebar Bushing	54	042005	1	Seat
26	100324	2	Large Handlebar Bushing	55	014159	1	Waved Washer
27	014041	4	Handlebar Washer	56	024025	1	Flywheel Sprocket
28	100339	1	Large Crank Washer	57	100498	3	Magnet
29	010180	2	Side Shield	#	103139	1	Owner's Manual
				#	101660	1	Monitor Operation Guide

Note: "#" indicates a non-illustrated part. Specifications are subject to change without notice. See the back cover for information on ordering replacement parts.

# EXPLODED DRAWING - MODEL NO. 831.287140

Rev. 9/90

## Crank Assembly



Specifications are subject to change without notice.