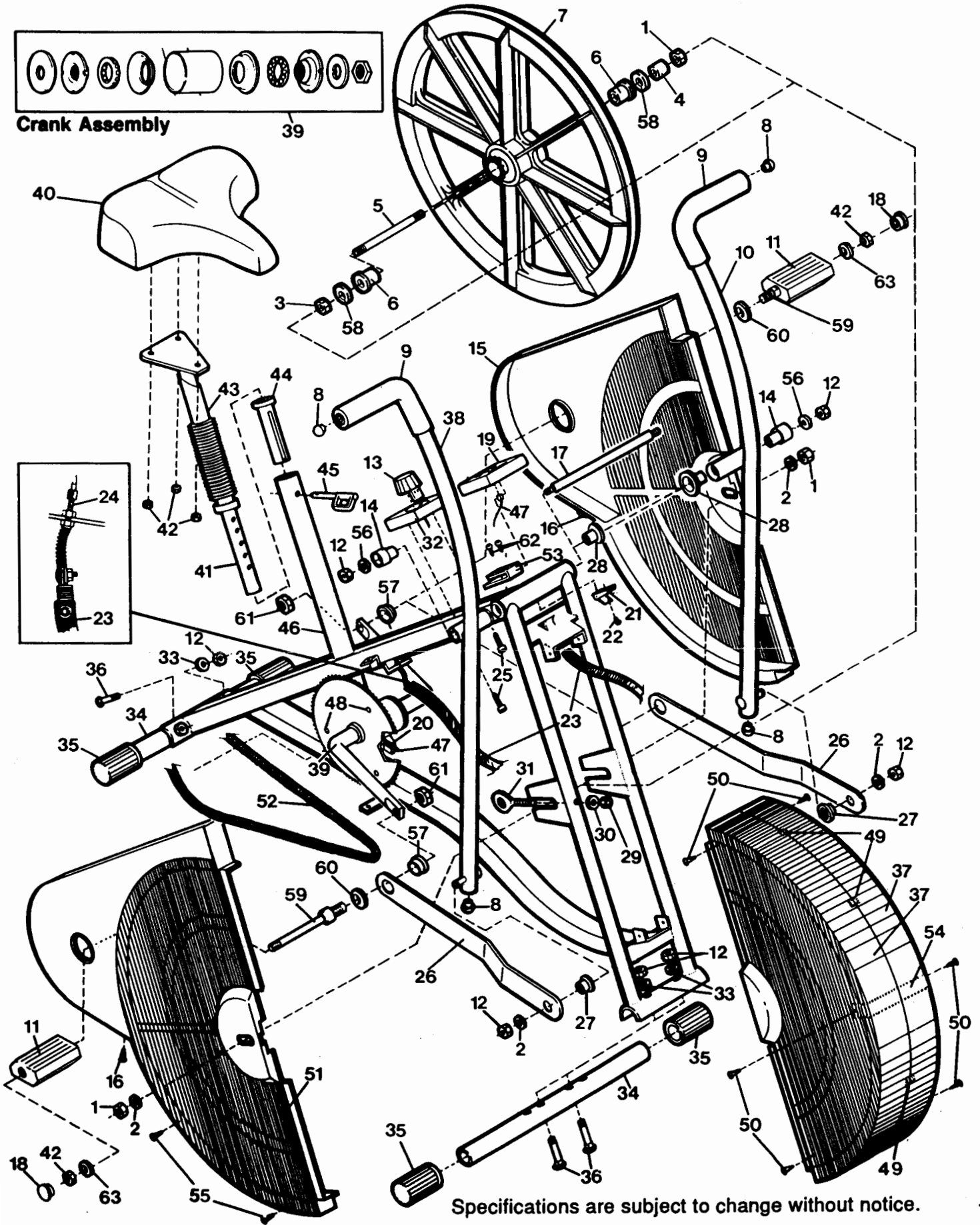


EXPLODED DRAWING - Model No. 831.287266

Rev. 9/91



Specifications are subject to change without notice.