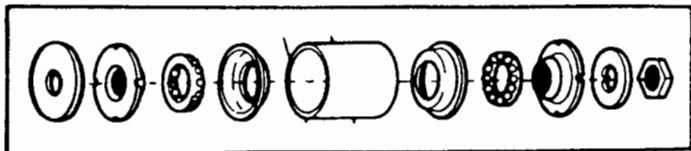
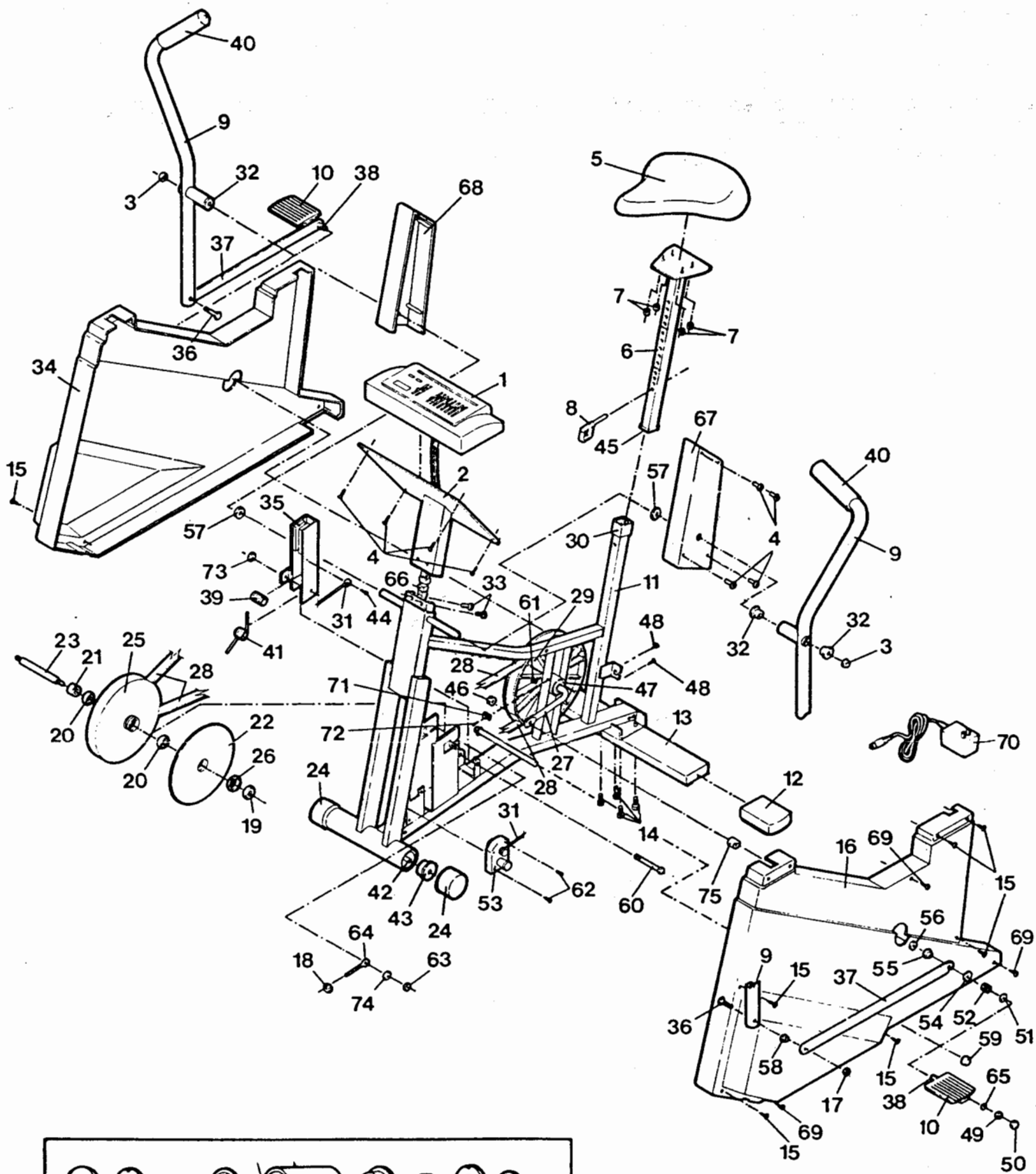


# EXPLODED DRAWING—Model No. 831.287601

R894A



CRANK ASSEMBLY (47)