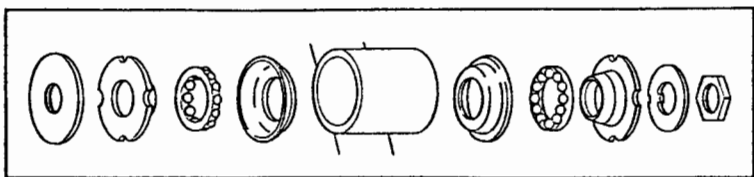
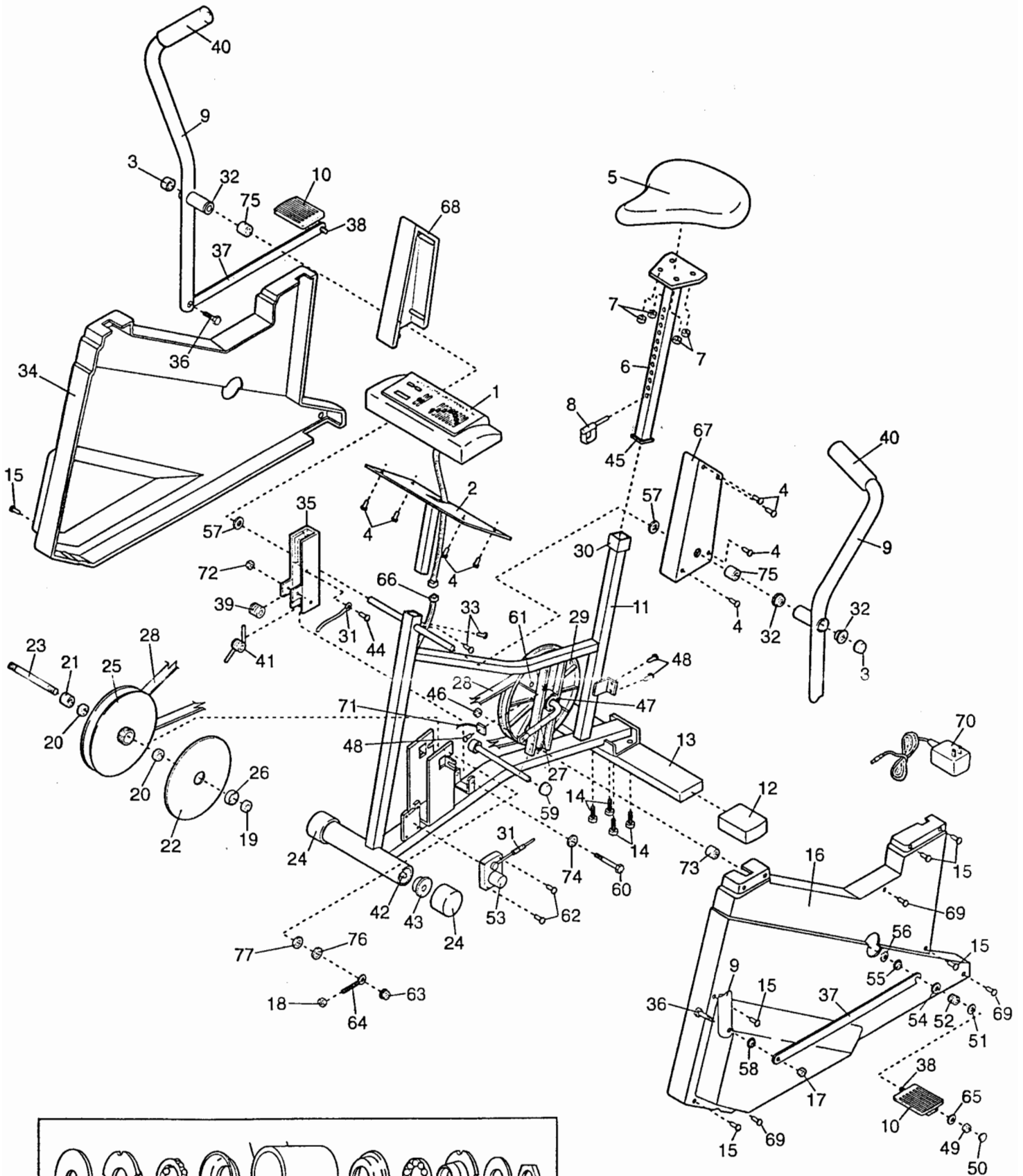


EXPLODED DRAWING—Model No. 831.287603

R0195A



CRANK HARDWARE (47)