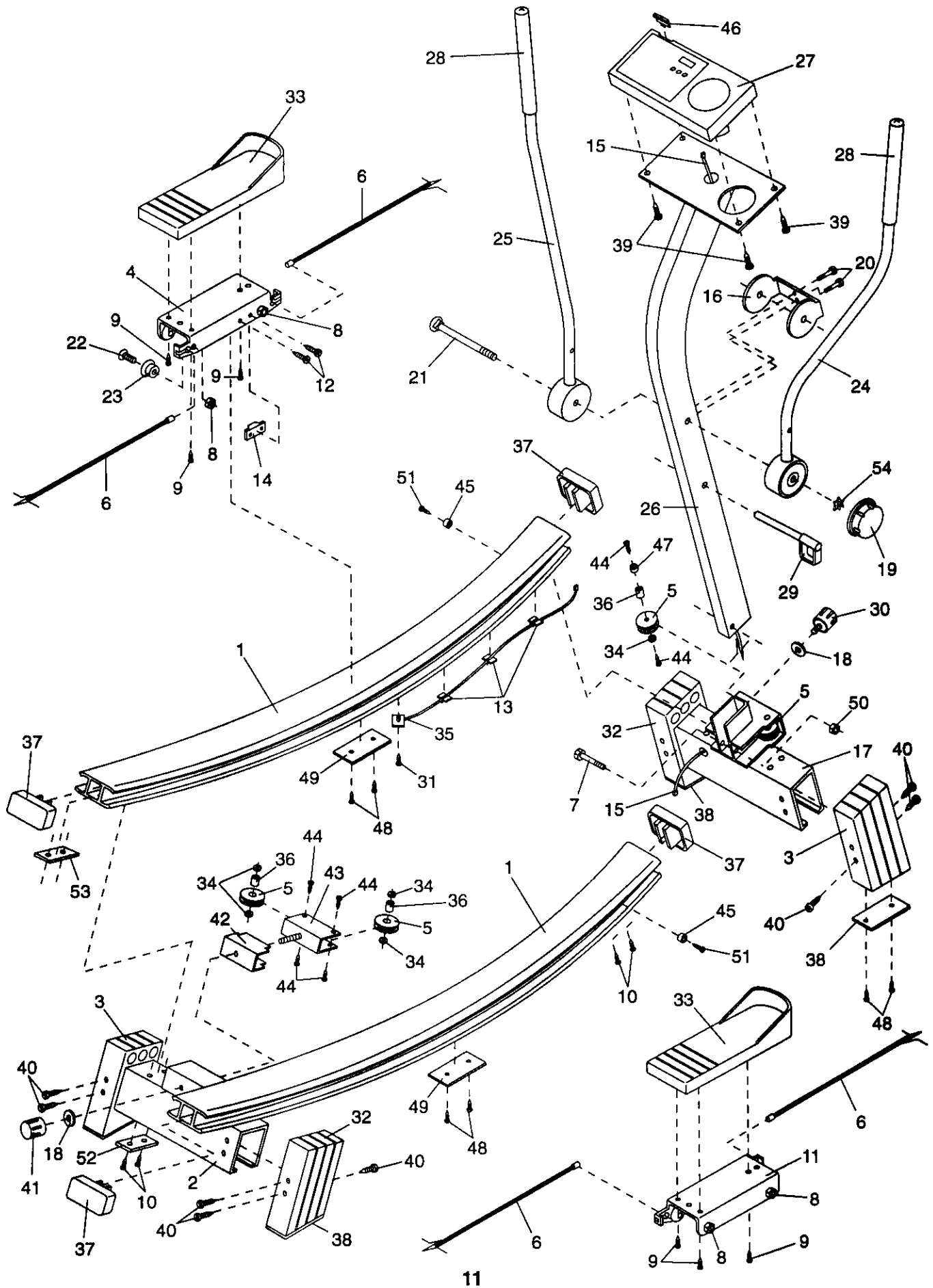


EXPLODED DRAWING—Model No. 831.290740

R0896A



MODEL NUMBER: 29074
 VERSION: 00
 PRODUCT NAME: WESLO ARC SKIER PLUS
 PRODUCT DESC:

MODEL/PART BOOK LISTING

PAGE 1
 INI023P1
 RUN DATE: 3/11/97
 RUN TIME: 17:00:00

KEY NUMBER	PART NUMBER	DESCRIPTION	QUANTITY
.	.	WESLO ARC SKIER PLUS	0
.	.	8/96 CHINA	0
1	132103	SKI RAIL	2
2	132118	RAIL STABILIZER	1
3	132099	RT FRONT/LT REAR LEG	2
4	132109	LEFT SKI PEDAL	1
5	132096	PULLEY	4
6	132111	SKI PEDAL CORD	2
7	132095	M10 X 60MM BOLT	1
8	012022	M6 NUT	8
9	121047	M4 X 12MM SCREW	12
10	115631	1/4" X 3/4" SCREW	8
11	132105	RIGHT SKI PEDAL	1
12	014003	M6 WASHER	2
13	016055	ADHESIVE WIRE CLAMP	3
14	110278	MAGNET	1
15	113400	CONSOLE WIRE	1
16	132279	ARM BRACKET	1
17	132119	FRONT STABILIZER	1
18	132108	M10 WASHER	2
19	137431	RESISTANCE DIAL	1
20	134524	M6 X 16MM BOLT	2
21	110304	M10 X 165MM CARRIAGE BOLT	1
22	137349	M6 X 26MM BOLT	8
23	132113	SKI PEDAL WHEEL	8
24	132278	RT UPPER BODY ARM W/FOAM	1
25	132277	LT UPPER BODY ARM W/FOAM	1
26	132102	UPRIGHT	1
27	130168	CONSOLE	1
28	124613	FOAM GRIP	2
29	132104	LOCK PIN	1
30	132106	LOCK KNOB	1
31	133477	M5 X 19MM SCREW	17
32	132120	LT FRONT/RIGHT REAR LEG	2
33	132110	SKI PEDAL COVER	2
34	137351	M8 SPACER	2
35	127201	REED SWITCH/WIRE	1
36	132273	M6 X 35.2M THREADED ROD	2
37	112441	SKI RAIL ENDCAP	4
38	132100	RUBBER PAD	4
39	133475	M6 X 25.2M AXLE	4
40	013272	3/16" X 1" SCREW	12
41	132114	RESISTANCE KNOB	1
42	132112	PLASTIC SLEEVE	1
43	132284	PULLEY BRACKET	1
44	132285	M6 SCREW	8
45	059008	PEDAL BUMPER	2
46	132121	BATTERY COVER	1
47	137350	M8 SPACER	2
48	133476	SPACER	4
49	132101	RAIL PAD	2
50	012033	M10 NUT	1
51	013592	M5 X 25MM SCREW	2
52	132288	SUPPORT PLATE	4

MODEL NUMBER: 29074
VERSION: 00
PRODUCT NAME: WESLO ARC SKIER PLUS
PRODUCT DESC:

MODEL/PART BOOK LISTING

PAGE 2
INI023P1
RUN DATE: 3/11/97
RUN TIME: 17:00:00

KEY NUMBER	PART NUMBER	DESCRIPTION	QUANTITY
53	132287	THREADED PLATE	4
54	130248	7/16" STAR WASHER	1
55	133466	SKI PEDAL CORD BRACKET	4
.	.	NON-ILLUSTRATED PARTS	0
#	132840	SILICONE OIL	1
#	132496	USER'S MANUAL	1