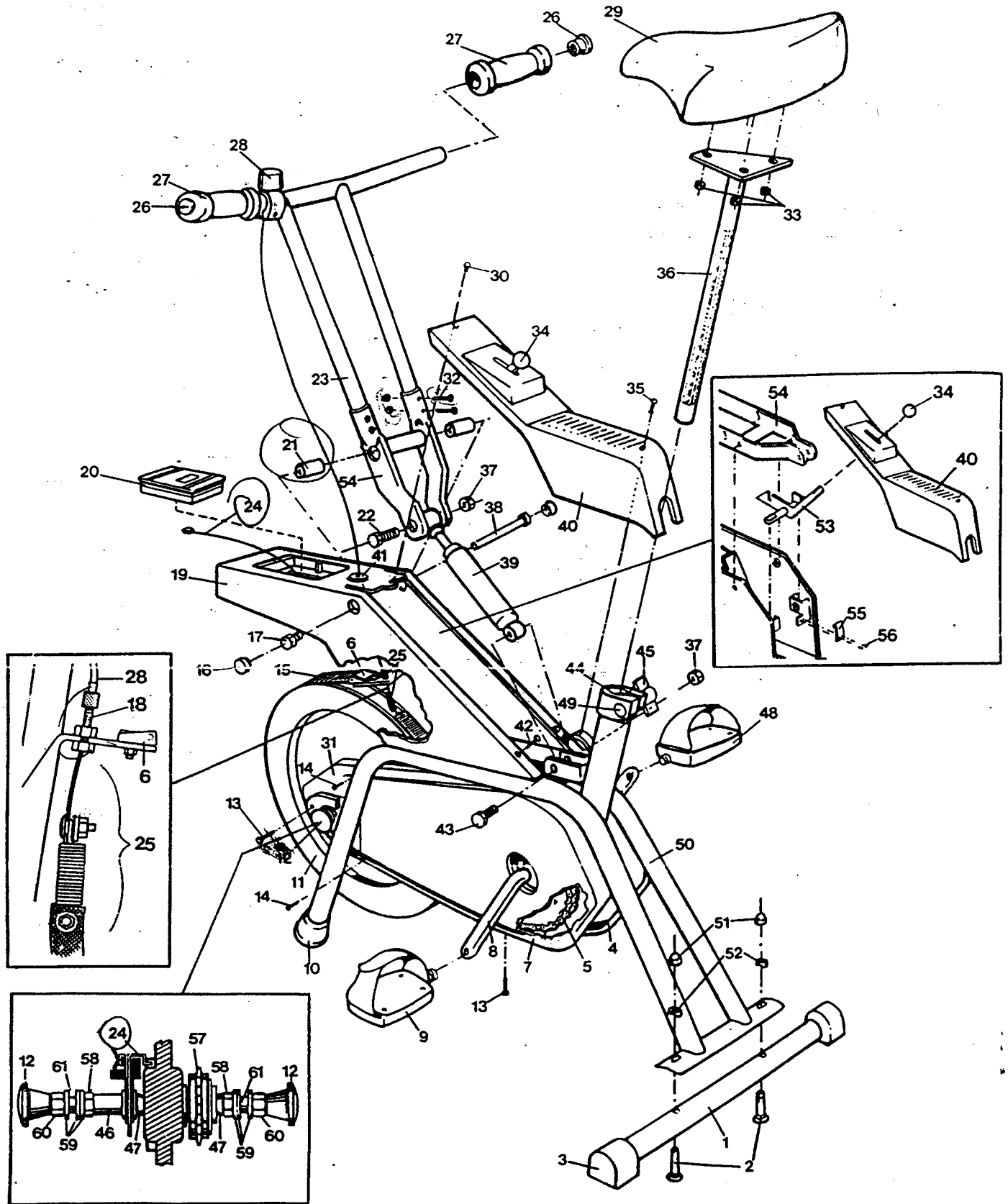


EXPLODED DRAWING - MODEL NO. 831.291171



Replacement parts may be ordered by calling customer service toll-free at 1-800-999-3756 (in Canada, 1-800-824-8949) during regular business hours: 6 a.m. until 6 p.m., Mon.-Fri., Mountain Time. When ordering parts please use the product name, model number, serial number, part description and reorder number.

PART LIST - MODEL NO. 831.291171

Key No.	Qty.	Description	Key No.	Qty.	Description
1	1	Crossbar	32	4	Handlebar Bolt w/Nut
2	2	Carriage Bolt	33	3	Seat Nut
3	2	Rear Rubber Cap	34	1	Locking Knob
4	1	Right Chain Guard	35	1	Long Screw
5	1	Chain	36	1	Seat Post
6	1	Tension Buckle	37	2	Shock Nut
7	1	Left Chain Guard	38	1	Pivot Rod
8	1	Crank w/Sprocket	39	1	Hydraulic Shock
9	1	Left Pedal	40	1	Shock Hood
10	2	Front Rubber Cap	41	1	Console Hood Grommet
11	1	Flywheel	42	2	Console Hood Screw
12	2	Plastic Axle Cap	43	1	Shock Bolt
13	4	Chain Guard Screw	44	1	Aluminum Clamp
14	4	Small Chain Guard Screw	45	1	T-Wingnut
15	1	Tension Belt	46	1	Thick Spacer
16	2	Plastic Cap	47	2	Tapered Spacer
17	2	Pivot Rod Bolt	48	1	Right Pedal
18	1	Hollow Bolt	49	1	Clamp Bolt
19	1	Console Hood	50	1	Frame
20	1	Electronic Console	51	2	Acorn Nut
21	2	Pivot Rod Bushing	52	2	Molded Washer
22	1	Piston Bolt	53	1	Locking Device
23	1	Handlebar	54	1	Handlebar Base
24	1	Monitor Wire w/Drive	55	1	Spring Clip
25	1	Tension Strap Spring	56	2	Spring Screw
26	2	Handgrip Cap	57	1	Small Sprocket
27	2	Handgrip	58	2	Thin Nut
28	1	Resistance Control w/Cable	59	8	Washer
29	1	Seat	60	2	Thick Nut
30	1	Short Screw	61	1	Axle
31	2	Front Chain Guard	#	1	Owner's Manual
			#	1	Electronic Console Guide

FULL 90 DAY WARRANTY ON PARTS

For 90 days from the date of purchase, when proper assembly and maintenance procedures detailed in the Owner's Manual are followed, Sears will, free of charge, repair or replace and install a replacement part of any defective part, when this exercise bike is used in a normal manner.

This warranty does not apply when the exercise bike is used for commercial or rental purposes.

SERVICE IS AVAILABLE BY SIMPLY RETURNING THE EXERCISE BIKE TO YOUR NEAREST SEARS SERVICE CENTER/DEPARTMENT IN THE UNITED STATES.

This warranty gives you specific legal rights, and you may also have other rights which vary from state to state.

SEARS, ROEBUCK AND CO., CHICAGO, IL 60684