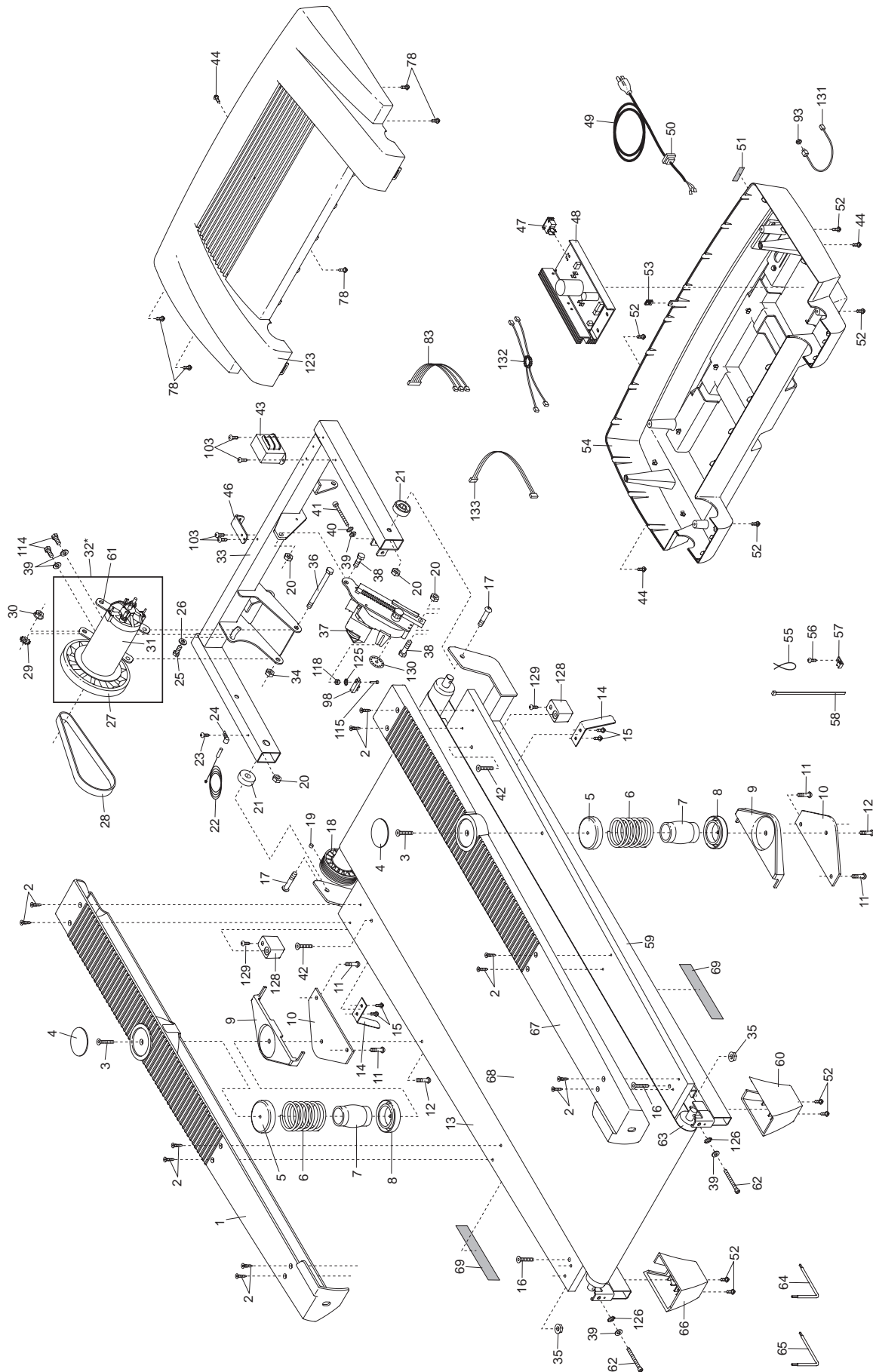


EXPLODED DRAWING—Model No. 831.293060

R0603B



EXPLODED DRAWING—Model No. 831.293060

R0603B

