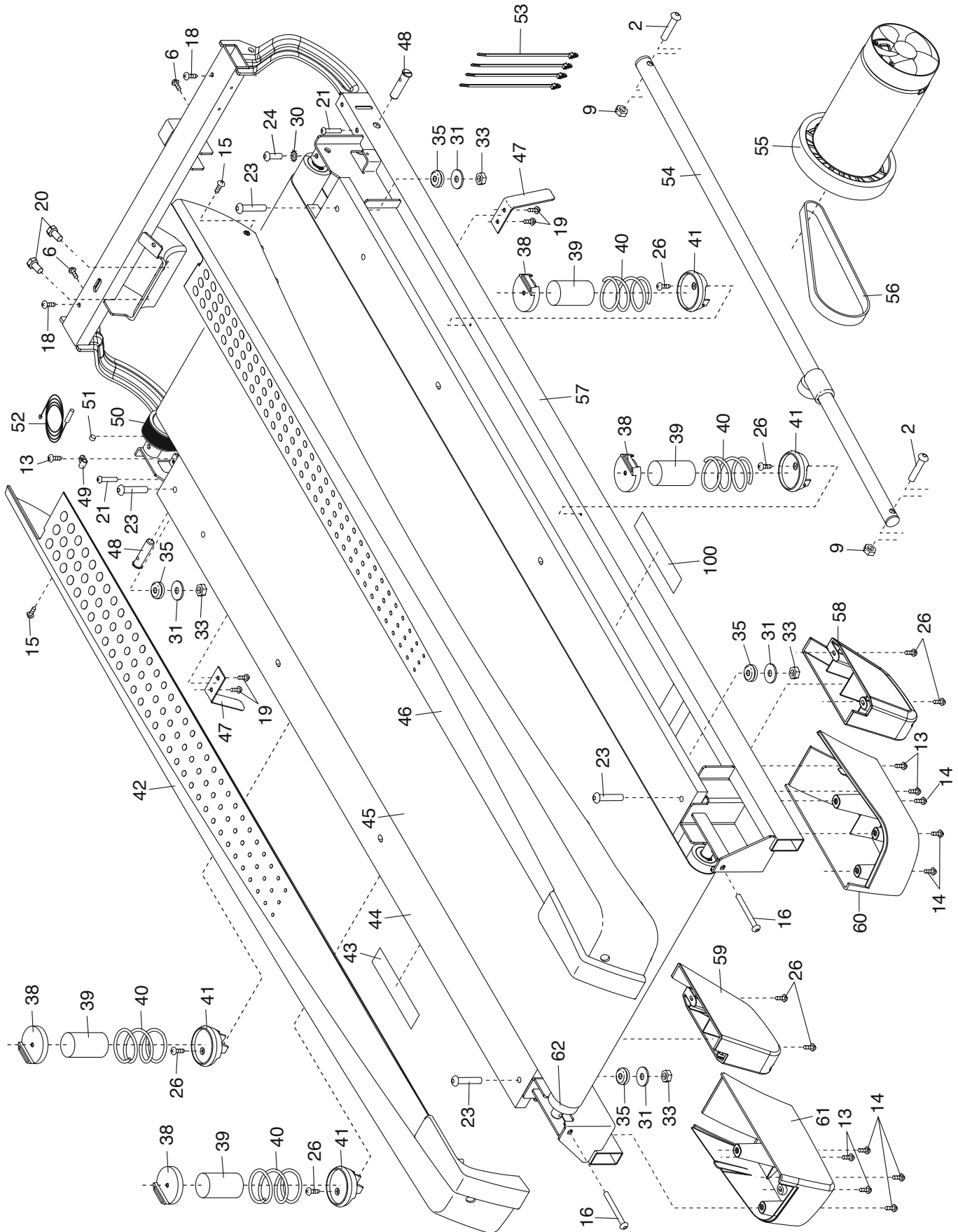


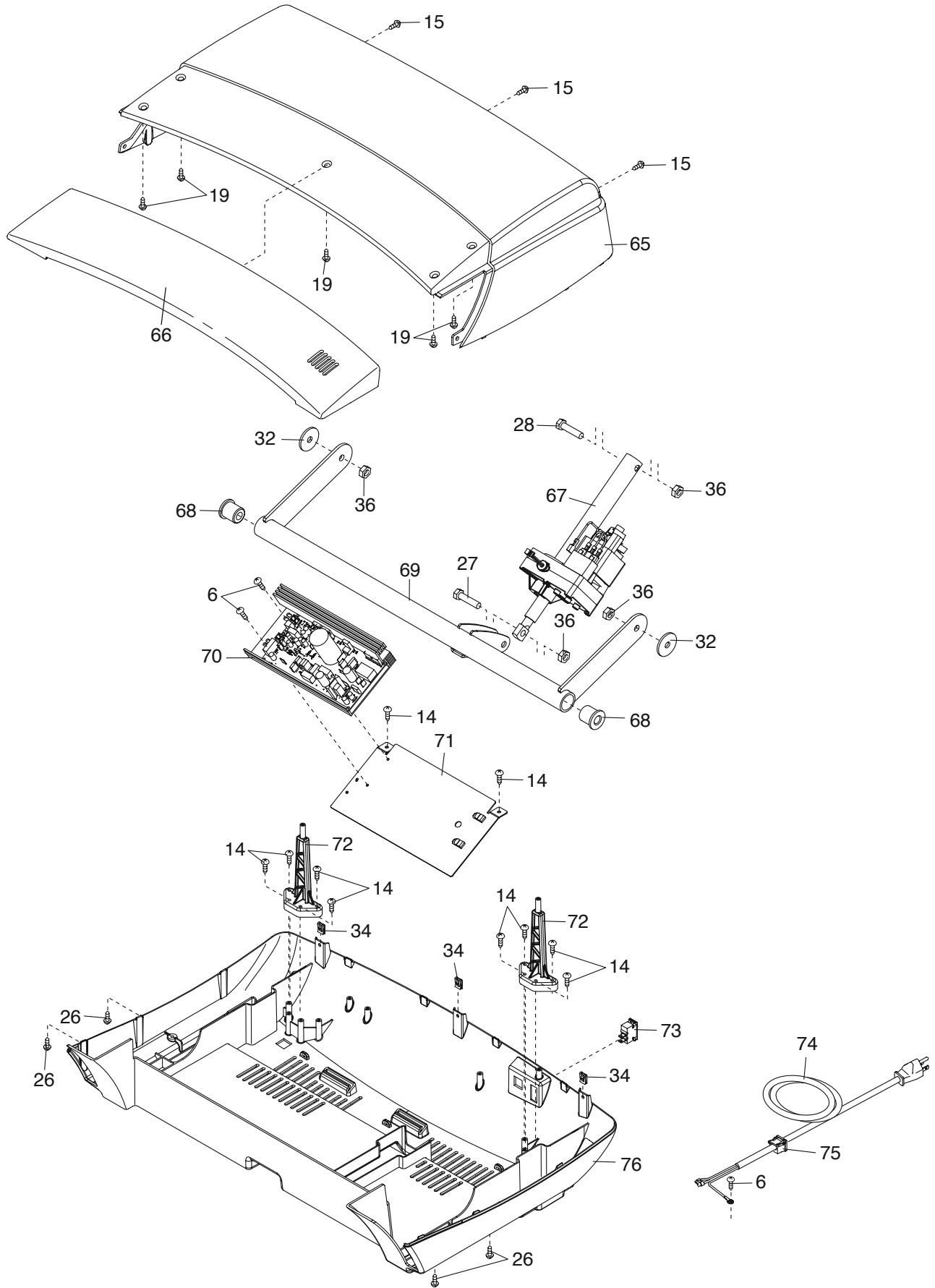
EXPLODED DRAWING A

Model No. 29317.0 R0513B



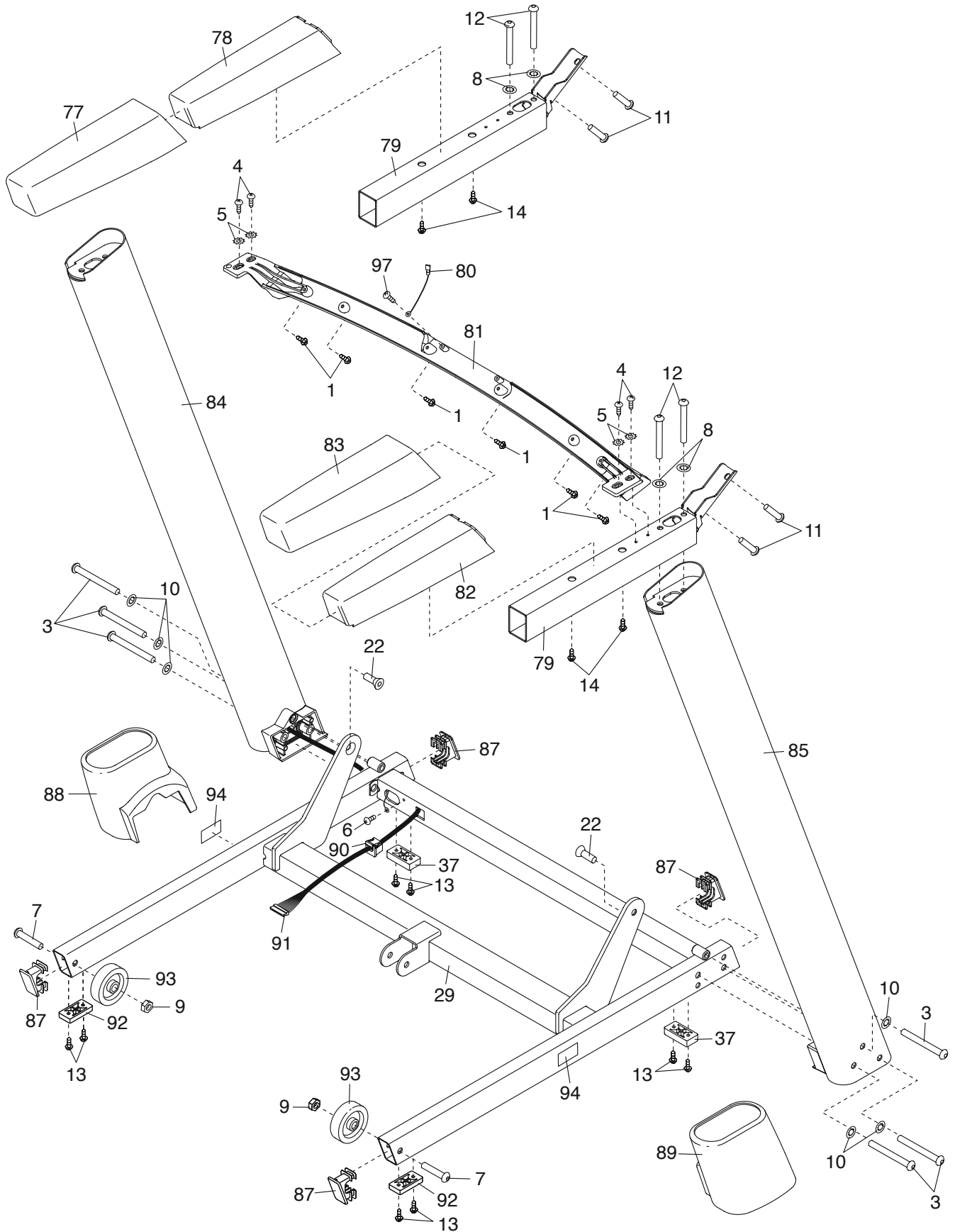
EXPLODED DRAWING B

Model No. 29317.0 R0513B



EXPLODED DRAWING C

Model No. 29317.0 R0513B



EXPLODED DRAWING D

Model No. 29317.0 R0513B

