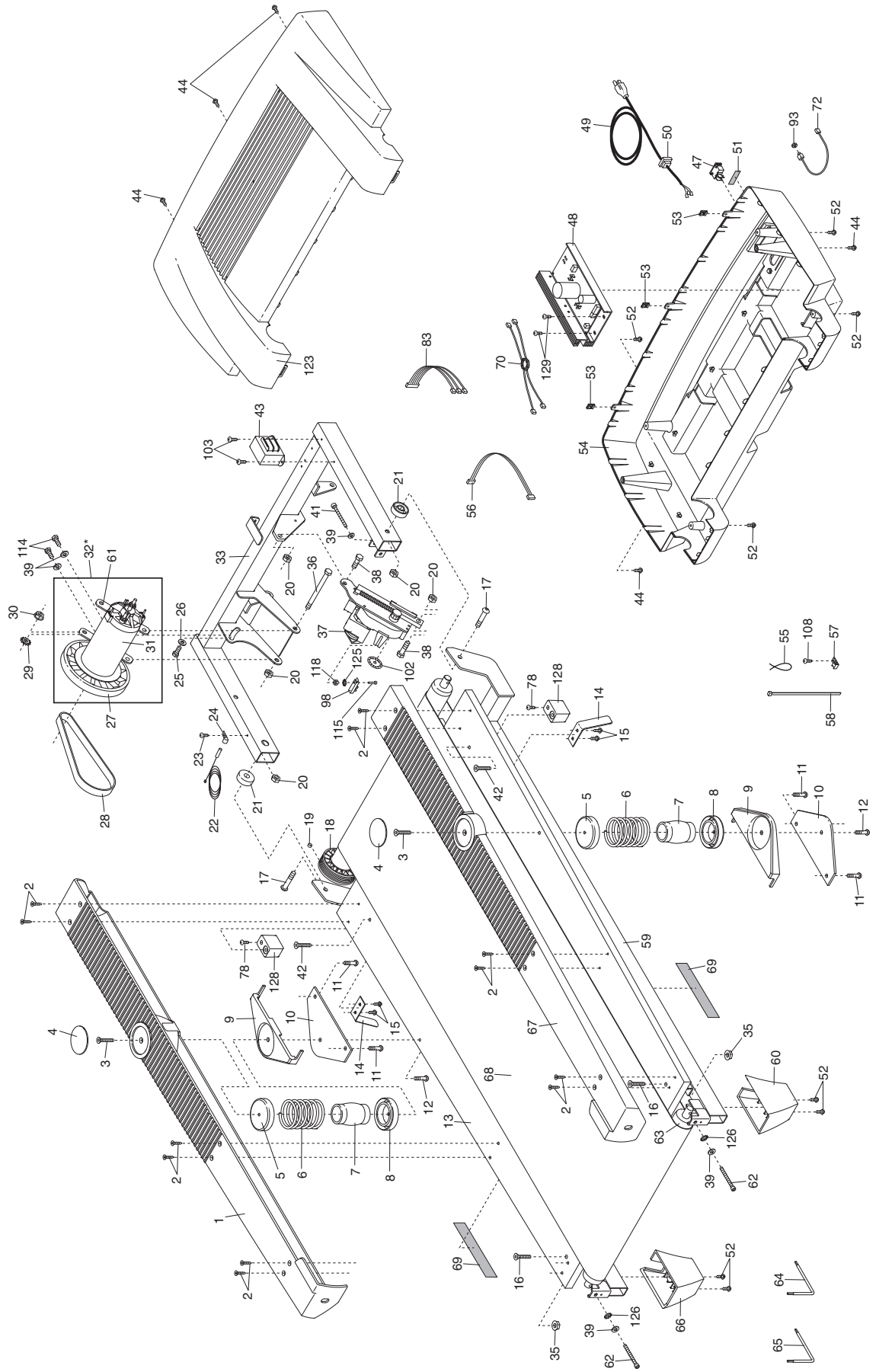


# EXPLODED DRAWING—Model No. 831.294062

R0404A



# EXPLODED DRAWING—Model No. 831.294062

R0404A

