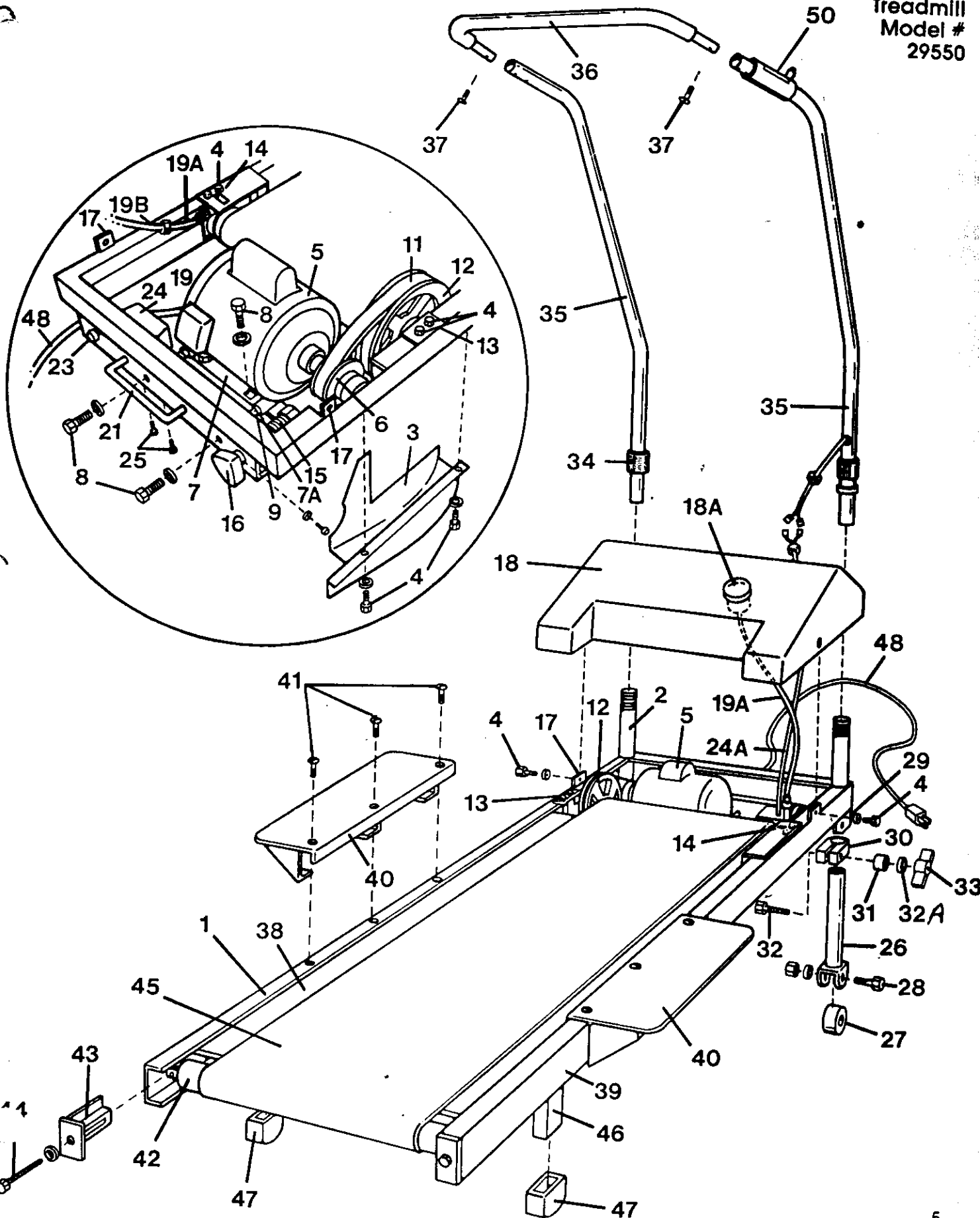


Due to changes in our manufacturing processes your Lifestyler Treadmill may differ slightly from the one in the assembly drawing and instructions found in your owner's manual.

**Lifestyler 550
Motorized
Treadmill
Model #
29550**



MODEL NUMBER: 29550
 VERSION: 00
 PRODUCT NAME: LIFESTYLER 550
 PRODUCT DESC:

MODEL/PART BOOK LISTING

PAGE 1
 IN1023P
 RUN DATE: 3/22/97
 RUN TIME: 9:41:02

KEY NUMBER	PART NUMBER	DESCRIPTION	QUANTITY
1	NSP	FRAME	1
2	.	**FRONT POST	2
3	010042	PULLEY COVER	1
4	013020	SHORT BOLT	8
5	107833	MOTOR	1
6	020013	VARIABLE SPEED PULLEY	1
7	NLA	MOTOR MOUNT PLATE	1
7A	019018	MOTOR MOUNT BUSHING	4
8	013060	MOTOR MOUNT/FRAME BOLT	10
9	049012	LEFT MOTOR SLIDE RAIL	1
11	025043	V-BELT	1
12	NLA	FRONT ROLLER W/PULLEY (MUST BE SENT PRESSED TOGETHER, NSP SEPARATELY)	0
.	.	022002 ROLLER	1
.	.	020002 PULLEY	1
13	NLA	LEFT ROLLER LOCK	1
14	016013	RIGHT ROLLER LOCK	1
15	NLA	SPEED ADJ SHAFT BOLT	1
16	NLA	SPEED ADJUSTMENT KNOB	1
17	.	**HOOD MOUNT	1
18	009011	MOTOR HOOD	1
18A	027009	SPEEDOMETER	1
19	NLA	SPEEDOMETER DRIVER GEAR	1
19A	026003	SPEEDOMETER CABLE	1
21	.	**HANDLE	1
23	031001	FUSE	1
24	NLA	ELECTRIC CONNECTION COVER	1
24A	031030	ELEC. CON. COVER CORD	1
25	013036	COVER SCREW	2
26	NLA	FRONT CHROME LEG	2
27	052003	WHEEL	2
28	NLA	BOLT	2
29	.	**INCLINE CLAMP BRACKET	2
30	016001	ALUMINUM CLAMP	2
31	019016	SPACER	2
32	013059	CARRIAGE BOLT	2
32A	014010	WASHER	2
33	017001	T-WINGNUT	2
34	NLA	ALUMINUM LOCK RING	2
35	007012	CHROME HANDRAIL	2
36	003002	CHROME CENTER BAR	1
37	013083	HANDRAIL SCREW	2
38	NLA	LOW FRICTION PLATFORM	1
39	NSP	FRAME	1
40	039003	FOOT PAD	2
41	NLA	FOOT PAD SCREW	6
42	NLA	REAR ROLLER	2
43	NLA	BELT ADJUSTMENT BRACKET	2
44	013070	BELT ADJUSTMENT BOLT	2
45	125418	WALKING BELT	1
46	.	**REAR LEG	2
47	040020	RUBBER CAP	2
48	031229	POWER CORD	1

MODEL NUMBER: 29550
VERSION: 00
PRODUCT NAME: LIFESTYLER 550
PRODUCT DESC:

MODEL/PART BOOK LISTING

PAGE 2

INI023P1

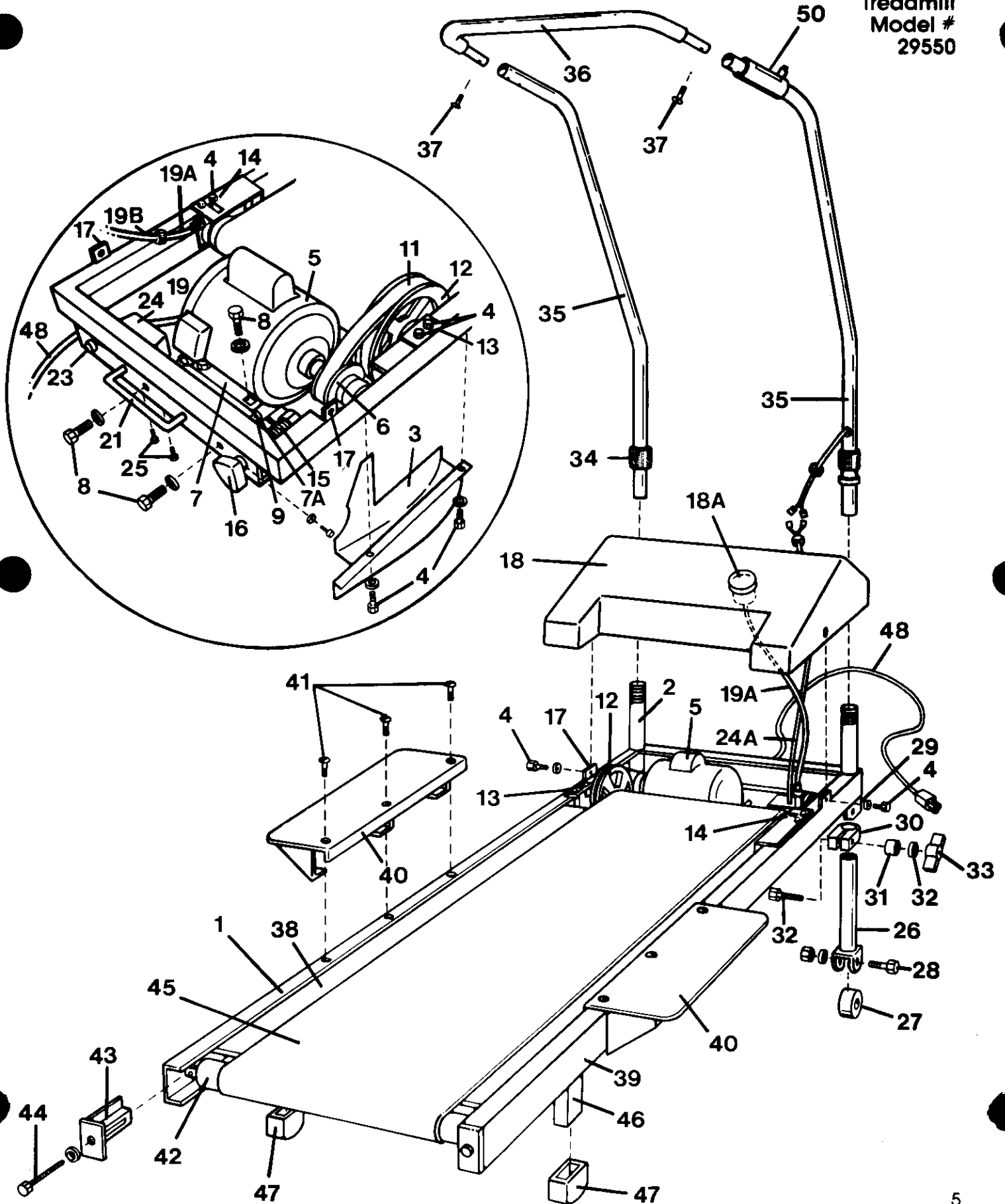
RUN DATE: 3/22/97

RUN TIME: 9:41:02

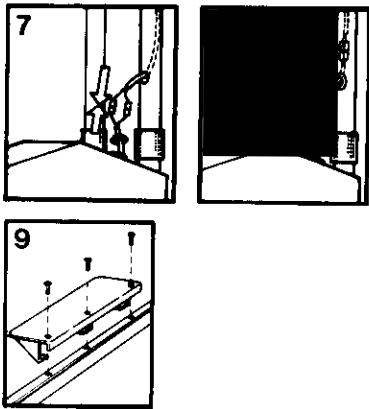
KEY NUMBER	PART NUMBER	DESCRIPTION	QUANTITY
49	045003	ALLEN WRENCH	1
50	NLA	ON/OFF SWITCH	1
*	109382	CIRCUIT BREAKER, 15AMP	1
*	014012	SMALL WASHER	8
*	049011	RIGHT MOTOR SLIDE RAIL	1
*	014025	WASHER	1
*	013035	KNOB SET SCREW	1
*	012034	NUT	1
*	NLA	SPEEDOMETER BRACKET	1
*	019025	LARGE METAL SPACER	1
*	014012	LARGE WASHER	1
*	012003	NUT	4
*	012076	FURNITURE NUT	8
*	013062	LONG BOLT	8
*	014020	LOCK WASHER	8
*	049014	REAR ROLLER AXLE	2
*	019014	SPACER	6
*	046002	OWNERS MANUAL	1

Due to changes in our manufacturing processes your Lifestyler Treadmill may differ slightly from the one in the assembly drawing and instructions found in your owner's manual.

Lifestyler 550
Motorized
Treadmill
Model #
29550



**Lifestyler 550
Motorized
Treadmill
Model #
29550**



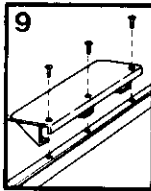
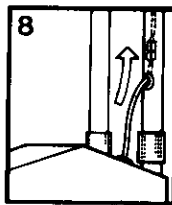
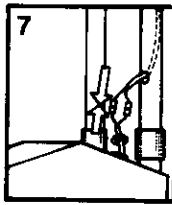
7. Connect the Switch Wires in the Handrail (35) and from inside the Motor Hood (24A). Note: Connect the wires of the same color together — male to female clips — **DO NOT** connect different colored wires! It will burn out the Motor!
8. Push the completed wire connection into the Handrail (35) and snap the Wire Grommet into the hole as shown.
9. Attach the Footpads (40) with the Screws (41) supplied.
10. Make sure all nuts and bolts have been tightened before using the Lifestyler Treadmill.

Lifestyler 550

**PARTS LIST
Motorized Treadmill
Model # 29550**

Part No.	Reorder No.	Description	Qty.	Part No.	Reorder No.	Description	Qty.
1	004016	Treadmill Frame	1	23	031001	Fuse, 15 amp	1
2		Front Post (On Frame)	2	24	031005	Electric Connection Cover	1
3	010019	Pulley Cover	1	25	013083	Cover Screw	2
4	013020	Short Bolt, 6mm x 11mm long	8	26	007009	Front Chrome Leg	2
4a	014012	Small (6mm) Washer	8	27	052003	Wheel	2
5	030001	Motor	1	28	013082	Bolt, 10mm x 39mm long	2
6	020001	Variable Speed Self-Centering Pulley	1	28a	012033	Nylon Lock Nut	2
7	031010	Motor Mount Plate	1	29		Incline Clamp Bracket (On Frame)	2
7a	019018	Motor Mount Bushing	4	30	016001	Aluminum Clamp	2
8	013060	Motor Mount/Frame Bolt, 8mm x 19mm long hex head	10	31	019016	Spacer	2
8a	014012	Large (8mm) Washer	16	32	013059	Carriage Bolt, 8mm x 50mm long	2
8b	012003	Nut 8mm	4	32a	014010	Washer (8mm I.D. 22mm O.D.)	2
9a	049012	Motor Slide Rail (left)	1	33	017001	"T" Wingnut	2
9b	049011	Motor Slide Rail (right)	1	34	016014	Aluminum Lock Ring	2
11	025005	V-Belt	1	35	007012	Chrome Handrail	2
12	020002	Belt Pulley with Front Roller and Axle	1	36	003002	Chrome Center Bar	1
12a	022002	Front Roller	1	37	013036	Handrail Screw	2
12b	049013	Front Roller Axle	1	38	053002	Low Friction Platform	1
12c	061001	Pressure Plate	1	39	012029	Furniture Nut (6mm)	8
12d	013068	Adjustment Bolt	1	39a	013062	Long Bolt	8
13	016012	Roller Lock (left)	1	39b	014020	Lock Washer (6mm)	8
14	016015	Roller Lock (right)	1	40	039003	Footpad	2
15	013034	Speed Adjustment Shaft	1	41	013084	Footpad Screw	6
16	017018	Speed Adjustment Knob	1	42	022003	Rear Roller	1
16a	014025	Washer	1	42a	049014	Rear Roller Axle	1
16b	013035	Knob Set Screw	1	42b	019014	Spacer (may vary in number)	6
17		Hood Mount (On Frame)	2	42c	018009	Roller Bearings	4
18	009010	Motor Hood	1	43	008011	Belt Adjusting Bracket	2
18a	027008	Speedometer	1	44	013070	Belt Adjusting Bolt	2
18b	012034	Nut (19mm thread)	1	45	025004	Treadmill Walking Belt	1
18c	008015	Speedometer Bracket	1	46		Rear Leg	2
18d	019025	Large Metal Spacer	1	47	040020	Rubber Cap	2
19	028001	Speedometer Driver Gear	1	48	031006	Electric Cord and Plug	1
19a	026008	Speedometer Cable	1	49	045003	Adjustment Wrench	1
21		Handle (On Frame)	1	50	031008	On/Off Handrail Switch	1

**Lifestyler 550
Motorized
Treadmill
Model #
29550**



7. Connect the Switch Wires in the Handrail (35) and from inside the Motor Hood (24A). Note: Connect the wires of the same color together — male to female clips — **DO NOT** connect different colored wires! It will burn out the Motor!
8. Push the completed wire connection into the Handrail (35) and snap the Wire Grommet into the hole as shown.
9. Attach the Footpads (40) with the Screws (41) supplied.
10. Make sure all nuts and bolts have been tightened before using the Lifestyler Treadmill.

Lifestyler 550

**PARTS LIST
Motorized Treadmill
Model # 29550**

Part No.	Reorder No.	Description	Qty.	Part No.	Reorder No.	Description	Qty.
1	004016	Treadmill Frame	1	23	031001	Fuse, 15 amp	1
2		Front Post (On Frame)	2	24	031005	Electric Connection Cover	1
3	010019	Pulley Cover	1	25	013083	Cover Screw	2
4	013020	Short Bolt, 6mm x 11mm long	8	26	007009	Front Chrome Leg	2
4a	014012	Small (6mm) Washer	8	27	052003	Wheel	2
5	030001	Motor	1	28	013082	Bolt, 10mm x 39mm long	2
6	020001	Variable Speed Self-Centering Pulley	1	28a	012033	Nylon Lock Nut	2
7	031010	Motor Mount Plate	1	29		Incline Clamp Bracket (On Frame)	2
7a	019018	Motor Mount Bushing	4	30	016001	Aluminum Clamp	2
8	013060	Motor Mount/Frame Bolt, 8mm x 19mm long hex head	10	31	019016	Spacer	2
8a	014012	Large (8mm) Washer	16	32	013059	Carriage Bolt, 8mm x 50mm long	2
8b	012003	Nut 8mm	4	32a	014010	Washer (8mm I.D. 22mm O.D.)	2
9a	049012	Motor Side Rail (left)	1	33	017001	"T" Wingnut	2
9b	049011	Motor Side Rail (right)	1	34	016014	Aluminum Lock Ring	2
11	025005	V-Belt	1	35	007012	Chrome Handrail	2
12	020002	Belt Pulley with Front Roller and Axle	1	36	003002	Chrome Center Bar	1
12a	022002	Front Roller	1	37	013036	Handrail Screw	2
12b	049013	Front Roller Axle	1	38	053002	Low Friction Platform	1
12c	061001	Pressure Plate	1	39	012029	Furniture Nut (6mm)	8
12d	013068	Adjustment Bolt	1	39a	013062	Long Bolt	8
13	016012	Roller Lock (left)	1	39b	014020	Lock Washer (6mm)	8
14	016015	Roller Lock (right)	1	40	039003	Footpad	2
15	013034	Speed Adjustment Shaft	1	41	013084	Footpad Screw	6
16	017018	Speed Adjustment Knob	1	42	022003	Rear Roller	1
16a	014025	Washer	1	42a	049014	Rear Roller Axle	1
16b	013035	Knob Set Screw	1	42b	019014	Spacer (may vary in number)	6
17		Hood Mount (On Frame)	2	42c	018009	Roller Bearings	4
18	009010	Motor Hood	1	43	008011	Belt Adjusting Bracket	2
18a	027008	Speedometer	1	44	013070	Belt Adjusting Bolt	2
18b	012034	Nut (19mm thread)	1	45	025004	Treadmill Walking Belt	1
18c	008015	Speedometer Bracket	1	46		Rear Leg	2
18d	019025	Large Metal Spacer	1	47	040020	Rubber Cap	2
19	028001	Speedometer Driver Gear	1	48	031006	Electric Cord and Plug	1
19a	026008	Speedometer Cable	1	49	045003	Adjustment Wrench	1
21		Handle (On Frame)	1	50	031008	On/Off Handrail Switch	1